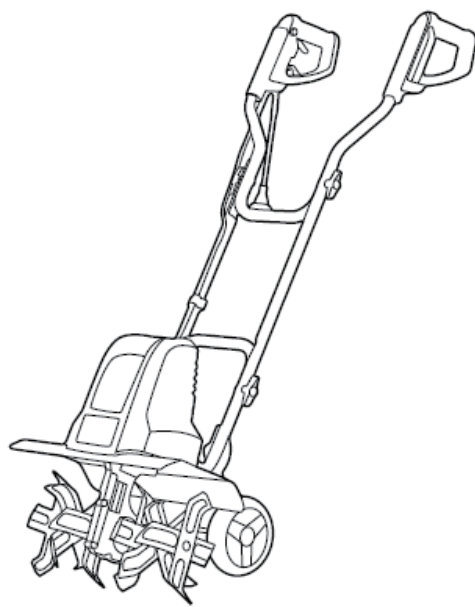


greenworks®

TL16B00

EN CULTIVATOR
ES CULTIVADOR

OPERATOR MANUAL
MANUAL DEL OPERADOR



CUA105

www.greenworkstools.com

210mm

145mm

COLOR

■ K

技术要求:

- 1.材质要求: 60g双胶纸, 24P, 85%本白
- 2.内容见电子档;
- 3.说明书为单黑印刷,保持色块始终朝外; 要求无色差, 无污点;
- 4.骑马钉, 裁切均匀、无连页, 装订无锈斑;
- 5.以封样为准;
- 6.料件需符合格力博HSF文件(编号: GLB-CGR-146) 里关于环保和有害物质的具体要求。

版本号

B2

重要度等级

B

				说明书				常州格力博集团	
设计	刘小娟	标准化	向叶春	阶段标记	视角标记	重量	比例	2803402	
校对	杨媛	审定		S	A	B			
审核	周艳	批准	李金涛	共 1 张		第 1 张		ERP号	
工艺		日期	22.9						

greenworks®

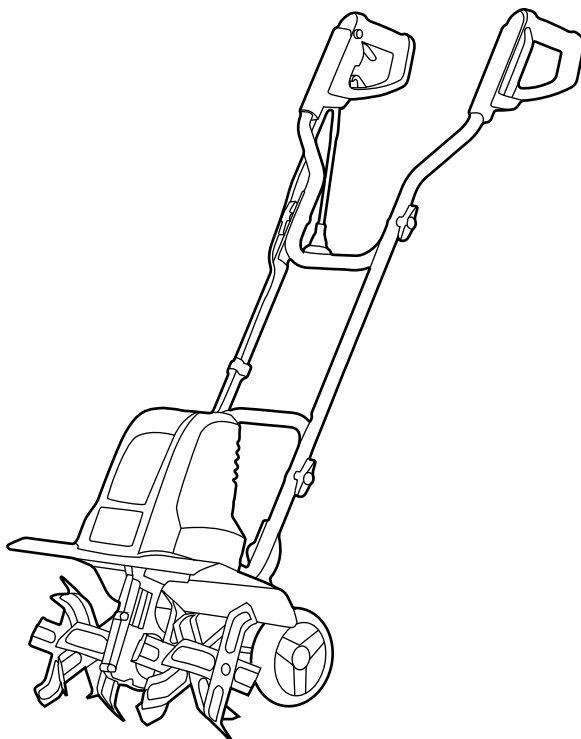
TL16B00

EN CULTIVATOR

OPERATOR MANUAL

ES CULTIVADOR

MANUAL DEL OPERADOR



CUA105

www.greenworkstools.com

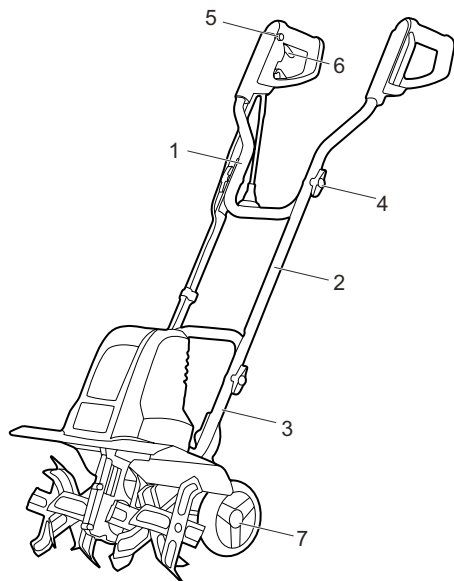
1	Description.....	4	9.1	Unpack the machine.....	8
1.1	Purpose.....	4	9.2	Install the handle.....	8
1.2	Overview.....	4	9.3	Install the wheel.....	8
2	General power tool safety warnings.....	4	10	Applications.....	9
2.1	Work area safety.....	4	10.1	Adjust the wheel height.....	9
2.2	Electrical safety.....	4	10.2	Narrow cultivating width.....	9
2.3	Personal safety.....	4	10.3	Start the machine.....	9
2.4	Power tool use and care.....	5	10.4	Stop the machine.....	9
2.5	Service.....	5	10.5	Operation tips.....	9
3	General safety rules.....	5	11	Maintenance.....	10
4	Symbols on the product.....	6	11.1	Replace the tines.....	10
5	Risk levels.....	6	11.2	Clean the machine.....	10
6	Double insulated.....	6	12	Store the machine.....	10
7	Extention cords.....	7	13	Troubleshooting.....	10
8	Proposition 65.....	8	14	Technical data.....	11
9	Installation.....	8	15	Limited warranty.....	11
			16	Exploded view.....	12

1 DESCRIPTION

1.1 PURPOSE

The machine is intended for loosening of soil in an open garden area. This product is not intended for commercial use. Do not use for any commercial task.

1.2 OVERVIEW



- | | |
|-----------------|----------------------|
| 1 Upper handle | 5 Safety lock button |
| 2 Middle handle | 6 Switch |
| 3 Lower handle | 7 Wheel |
| 4 Wing nut | |

2 GENERAL POWER TOOL SAFETY WARNINGS

▲ WARNING

Read all safety warnings and all instructions. Failure to follow the warnings and instructions may result in electric shock, fire and/or serious injury.

Save all warnings and instructions for future reference.

The term "power tool" in the warnings refers to your mains-operated (corded) power tool.

2.1 WORK AREA SAFETY

- **Keep work area clean and well lit.** *Cluttered or dark areas invite accidents.*

- **Do not operate power tools in explosive atmospheres, such as in the presence of flammable liquids, gases or dust.** *Power tools create sparks which may ignite the dust or fumes.*
- **Keep children and bystanders away while operating a power tool.** *Distractions can cause you to lose control.*

2.2 ELECTRICAL SAFETY

- **Power tool plugs must match the outlet. Never modify the plug in any way. Do not use any adapter plugs with earthed (grounded) power tools.** *Unmodified plugs and matching outlets will reduce risk of electric shock.*
- **Avoid body contact with earthed or grounded surfaces, such as pipes, radiators, ranges and refrigerators.** *There is an increased risk of electric shock if your body is earthed or grounded.*
- **Do not expose power tools to rain or wet conditions.** *Water entering a power tool will increase the risk of electric shock.*
- **Do not abuse the cord. Never use the cord for carrying, pulling or unplugging the power tool. Keep cord away from heat, oil, sharp edges and moving parts.** *Damaged or entangled cords increase the risk of electric shock.*
- **When operating a power tool outdoors, use an extension cord suitable for outdoor use.** *Use of a cord suitable for outdoor use reduces the risk of electric shock.*
- **If operating a power tool in a damp location is unavoidable, use a RESIDUAL CURRENT DEVICE (RCD) protected supply.** *Use of an RCD reduces the risk of electric shock.*

2.3 PERSONAL SAFETY

- **Stay alert, watch what you are doing and use common sense when operating a power tool. Do not use a power tool while you are tired or under the influence of drugs, alcohol or medication.** *A moment of inattention while operating power tools may result in serious personal injury.*
- **Use personal protective equipment. Always wear eye protection.** *Protective equipment such as a dust mask, non-skid safety shoes, hard hat or hearing protection used appropriately will reduce personal injuries.*
- **Prevent unintentional starting. Ensure the switch is in the off position before connecting to power source and/or battery pack and when picking up or carrying the tool.** *Carrying power tools with your finger on the switch or energizing power tools that have the switch on invites accidents.*
- **Remove any adjusting key or wrench before turning the power tool on.** *A wrench or a key left attached to a rotating part of the power tool may result in personal injury.*

- **Do not over-reach. Keep proper footing and balance at all times.** *This enables better control of the power tool in unexpected situations.*
- **Dress properly. Do not wear loose clothing or jewelry. Keep your hair, clothing and gloves away from moving parts.** *Loose clothes, jewelry or long hair can be caught in moving parts.*
- **If devices are provided for the connection of dust extraction and collection facilities, ensure these are connected and properly used.** *Use of dust collection can reduce dust related hazards.*
- **Do not let familiarity gained from frequent use of tools allow you to become complacent and ignore tool safety principles.** *A careless action can cause severe injury within a fraction of a second.*

2.4 POWER TOOL USE AND CARE

- **Do not force the power tool. Use the correct power tool for your application.** *The correct power tool will do the job better and safer at the rate for which it was designed.*
- **Do not use the power tool if the switch does not turn it on and off.** *Any power tool that cannot be controlled with the switch is dangerous and must be repaired.*
- **Disconnect the plug from the power source and/or remove the BATTERY pack, if detachable, from the power tool before making any adjustments, changing accessories, or storing power tools.** *Such preventive safety measures reduce the risk of starting the power tool accidentally.*
- **Store idle power tools out of the reach of children and do not allow persons unfamiliar with the power tool or these instructions to operate the power tool.** *Power tools are dangerous in the hands of untrained users.*
- **Maintain power tools and accessories. Check for misalignment or binding of moving parts, breakage of parts and any other condition that may affect the power tool's operation. If damaged, have the power tool repaired before use.** *Many accidents are caused by poorly maintained power tools.*
- **Keep cutting tools sharp and clean.** *Properly maintained cutting tools with sharp cutting edges are less likely to bind and are easier to control.*
- **Use the power tool, accessories and tool bits etc. in accordance with these instructions, taking into account the working conditions and the work to be performed.** *Use of the power tool for operations different from those intended could result in a hazardous situation.*
- **Keep handles and grasping surfaces dry, clean and free from oil and grease.** *Slippery handles and grasping surfaces do not allow for safe handling and control of the tool in unexpected situations.*

2.5 SERVICE

- **Have your power tool serviced by a qualified repair person using only identical replacement parts.** *This will ensure that the safety of the power tool is maintained.*
- **Never service damaged battery packs.** *Service of battery packs should only be performed by the manufacturer or authorized service providers.*





3 GENERAL SAFETY RULES





- **Replacement Parts** – When servicing use only identical replacement parts.
- **Polarized Appliance Connections** – To reduce the risk of electric shock, this appliance has a polarized plug (one blade is wider than the other) and will require the use of a polarized extension cord. The appliance plug will fit into a polarized extension cord only one way. If the plug does not fit fully into the extension cord, reverse the plug. If the plug still does not fit, obtain a correct polarized extension cord. A polarized extension cord will require the use of a polarized wall outlet. This plug will fit into the polarized wall outlet only one way. If the plug does not fit fully into the wall outlet, reverse the plug. If the plug still does not fit, contact a qualified electrician to install the proper wall outlet. Do not change the equipment plug, extension cord receptacle, or extension cord plug in any way.
- **Avoid Dangerous Environment** – Don't use appliances in damp or wet locations.
- **Don't Use In Rain.**
- **Keep Children Away** – All visitors should be kept at a distance from work area.
- **Dress Properly** – Do not wear loose clothing or jewelry. They can be caught in moving parts. Use of rubber gloves and substantial footwear is recommended when working outdoors. Wear protective hair covering to contain long hair.
- **Use Safety Glasses** – Always use face or dust mask if operation is dusty.
- **Use Right Appliance** – Do not use appliance for any job except that for which it is intended.
- **Warning** – To reduce the risk of electric shock, use only with an extension cord intended for outdoor use, such as an extension cord of cord type SW-A, SOW-A, STW-A, STOW-A, SJW-A, SJOW-A, SJTW-A, or SJTOW-A.
- **Avoid Unintentional Starting** – Don't carry plugged-in appliance with finger on switch. Be sure switch is off when plugging in.
- **Don't Abuse Cord** – Never carry appliance by cord or yank it to disconnect from receptacle. Keep cord from heat, oil, and sharp edges.
- **Don't grasp the exposed cutting blades or cutting edges when picking up or holding the appliance.**

- **Don't Force Appliance** – It will do the job better and with less likelihood of a risk of injury at the rate for which it was designed.
- **Don't Overreach** – Keep proper footing and balance at all times.
- **Stay Alert** – Watch what you are doing. Use common sense. Do not operate appliance when you are tired.
- **Disconnect Appliance** – Disconnect the appliance from the power supply when not in use, before servicing, when changing accessories such as blades, and the like.
- **Store Idle Appliances Indoors** – When not in use, appliances should be stored indoors in dry, and high or locked-up place – out of reach of children.
- **Maintain Appliance With Care** – Keep cutting edge sharp and clean for best performance and to reduce the risk of injury. Follow instructions for lubricating and changing accessories. Inspect appliance cord periodically, and if damaged, have it repaired by an authorized service facility. Inspect extension cords periodically and replace if damaged. Keep handles dry, clean, and free from oil and grease.
- **Check Damaged Parts** – Before further use of the appliance, a guard or other part that is damaged should be carefully checked to determine that it will operate properly and perform its intended function. Check for alignment of moving parts, binding of moving parts, breakage of parts, mounting, and any other condition that may affect its operation. A guard or other part that is damaged should be properly repaired or replaced by an authorized service center unless indicated elsewhere in this manual.

4 SYMBOLS ON THE PRODUCT




Some of the following symbols may be used on this product. Please study them and learn their meaning. Proper interpretation of these symbols will allow you to operate the product better and safer.

Symbol	Explanation
V	Voltage
A	Current
Hz	Frequency (cycles per second)
	Type or a characteristic of current
	Keep feet and hands away from rotating tines.
	Precautions that involve your safety.
	Read and understand all instructions before operating the product, and follow all warnings and safety instructions.

Symbol	Explanation
	Wear eye and ear protection.
	Keep all bystanders at least 15m away.
	Do not expose the product to rain or moist conditions.
	Double-insulated construction.

5 RISK LEVELS

The following signal words and meanings are intended to explain the levels of risk associated with this product.

SYM-BOL	SIGNAL	MEANING
	DANGER	Indicates an imminently hazardous situation, which, if not avoided, will result in death or serious injury.
	WARNING	Indicates a potentially hazardous situation, which, if not avoided, could result in death or serious injury.
	CAUTION	Indicates a potentially hazardous situation, which, if not avoided, may result in minor or moderate injury.
	CAUTION	(Without Safety Alert Symbol) Indicates a situation that may result in property damage.

6 DOUBLE INSULATED

Double insulation is a concept in safety in electric power tools, which eliminates the need for the usual three-wire grounded power cord. All exposed metal parts are isolated from the internal metal motor components with protecting insulation. Double insulated tools do not need to be grounded.

▲ WARNING

The double insulated system is intended to protect the user from shock resulting from a break in the tool's internal insulation. Observe all normal safety precautions to avoid electrical shock.

i NOTE

Servicing of a product with double insulation requires extreme care and knowledge of the system and should be performed only by a qualified service technician. For service, we suggest you return the tool to your nearest authorized service center for repair. Always use original factory replacement parts when servicing.

7 EXTENTION CORDS

When using a power tool at a considerable distance from a power source, be sure to use an extension cord that has the capacity to handle the current the product will draw. An undersized cord will cause a drop in line voltage, resulting in overheating and loss of power. Use the chart to determine the minimum wire size required in an extension cord. Only round jacketed cords listed by Underwriter's Laboratories (UL) should be used.

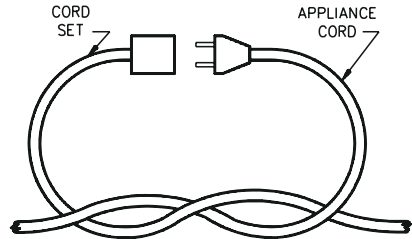
When working outdoors with a product, use an extension cord that is designed for outside use. This type of cord is designated with "W-A" or "W" on the cord's jacket. Before using any extension cord, inspect it for loose or exposed wires and cut or worn insulation.

**MINIMUM GAUGE FOR EXTENSION CORDS (AWG)
(WHEN USING 120 V ONLY)**

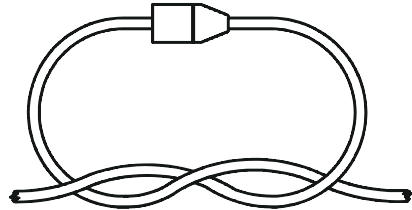
Ampere Rating		Total Length of Cord in Feet (meters)			
More Than	Not More Than	25' (7.6 m)	50' (15 m)	100' (30.4 m)	150' (45.7 m)
0	6	/	/	/	/
6	10	/	/	/	/
10	12	/	/	/	/
12	16	14	12	Not Recommended	

Extension Cord – Make sure your extension cord is in good condition. When using an extension cord, be sure to use one heavy enough to carry the current your product will draw. An undersized extension cord will cause a drop in voltage resulting in loss of power and overheating. The table shows the correct size to use depending on cord length and name plate ampere rating. If in doubt, use the next heavier gauge. The smaller the gauge number, the heavier the cord. To reduce the risk of disconnection of appliance cord from the extension cord during operating:

1. Make a knot as shown in Figure A. or
2. Use one of the plug-receptacle retaining straps or connectors.

METHOD OF SECURING EXTENSION CORD

(A) THE CORD AS SHOWN



(B) CONNECT PLUG AND RECEPTACLE

▲ WARNING

Keep the extension cord clear of the working area. Position the cord so that it will not get caught on lumber, tools, or other obstructions while you are working with a power tool. Failure to do so can result in serious personal injury.

▲ WARNING

Check extension cords before each use. If damaged replace immediately. Never use the product with a damaged cord since touching the damaged area could cause electrical shock resulting in serious injury.

8 PROPOSITION 65

▲ WARNING

This product contains a chemical known to the state of California to cause cancer, birth defects or other reproductive harm. Some dust created by power sanding, sawing, grinding, drilling, and other construction activities contains chemicals known to cause cancer, birth defects or other reproductive harm. Some examples of these chemicals are:

- Lead from lead-based paints;
- Crystalline silica from bricks and cement and other masonry products;
- Arsenic and chromium from chemically treated lumber.

Your risk of exposure to these chemicals varies depending on how often you do this type of work. To reduce your exposure to these chemicals, work in a well-ventilated area, and work with approved safety equipment, such as dust masks that are specially designed to filter out microscopic particles.

Save these instructions.

9 INSTALLATION

▲ WARNING

Do not change or make accessories that are not recommended by the manufacturer.

▲ WARNING

Do not connect the machine to the power supply until you assemble all the parts.

9.1 UNPACK THE MACHINE

▲ WARNING

Make sure that you correctly assemble the machine before use.

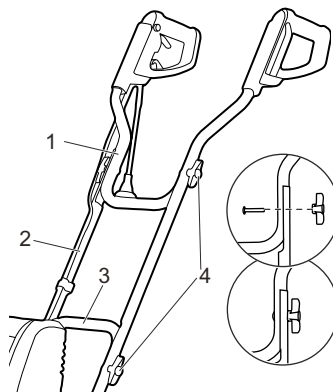
▲ WARNING

- If parts of the machine are damaged, do not use the machine.
- If you do not have all the parts, do not operate the machine.
- If parts are damaged or missing, contact the service center.

1. Open the package.
2. Read the documentation provided in the box.
3. Remove all the unassembled parts from the box.
4. Remove the machine from the box.

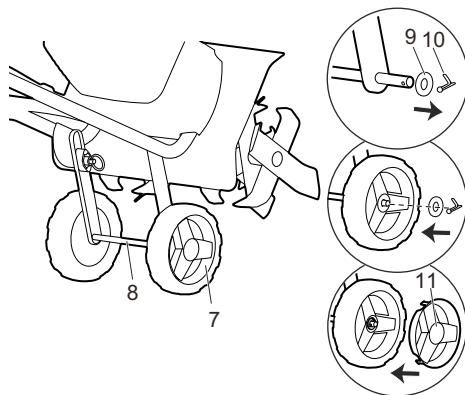
5. Discard the box and packing material in compliance with local regulations.

9.2 INSTALL THE HANDLE



1. Align the holes on the middle handle (2) with holes on the lower handle (3).
2. Align the holes on the upper handle (1) with holes on the middle handle (2).
3. Insert the bolts through the handles.
4. Use the wing nuts (4) to tighten them.

9.3 INSTALL THE WHEEL



1. Remove the washer (9) and the R pin (10) from the support rod (8).
2. Insert the wheel (7) into the support rod (8).
3. Secure it with the washer (9) and the R pin (10).
4. Insert the wheel cap (11).

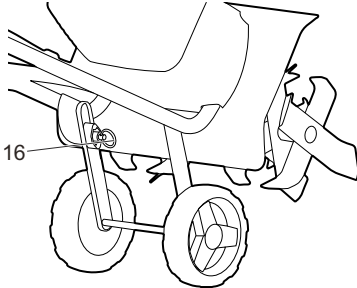
10 APPLICATIONS

- Breaking up garden soil to prepare seed bed for planting.
- Shallow cultivating to remove weeds.

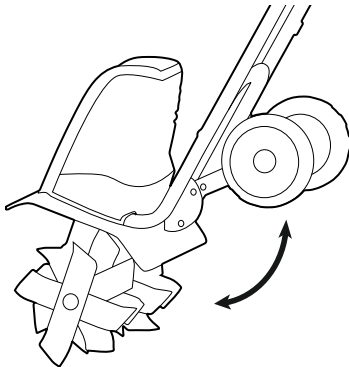
10.1 ADJUST THE WHEEL HEIGHT

The wheel position of the machine is adjustable.

1. Pull the lock pin (16).

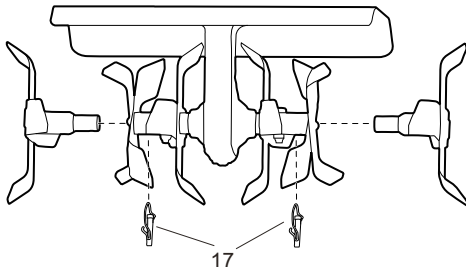


2. Move the wheel assembly to desired position.



3. Release the lock pin and make sure it locks into place.

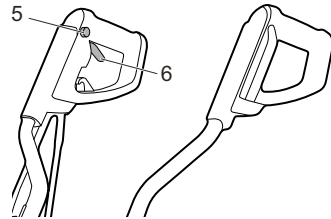
10.2 NARROW CULTIVATING WIDTH



The two outer tine blades can be removed from the unit to allow a more narrow cultivating width.

1. Remove the self-locked nuts (17) from the tines.
2. Remove the outside tines.

10.3 START THE MACHINE



1. Connect the machine into an approved outdoor extension cable.
2. Press the safety lock button (5).
3. Press the switch (6) while you hold the safety lock button.
4. Release the safety lock button.

▲ WARNING

Hold the machine with two hands during operation.

i NOTE

Stand behind the machine with the tines on the ground and the work area clean and free of obstructions.

10.4 STOP THE MACHINE

1. Release the switch to stop the machine.

10.5 OPERATION TIPS

The cultivator can be used to break up garden soil and prepare a seedbed for planting. Plan ahead to leave enough room between the seed rows to allow for machine cultivating after the plants have grown.

1. Several passes over the same path may be required to reach the desired depth. Do not try to dig too deeply in the first pass.
2. If the machine jumps or bucks, allow the unit to move forward at a slightly faster rate or install wheel assembly.
3. If the cultivator stays and digs in at one spot, try rocking it from side to side in order to start it moving forward again.
4. If the soil is very hard, water a few days before cultivating. Avoid working the soil when soggy or wet. Wait a day or two after heavy rain for the ground to dry.

- Shallow cultivating less than 5cm. deep can be used to disrupt weeds and aerate soil, without injuring nearby plant roots. It should be done often so that weeds do not grow large and cause tangling in the tines of the unit.

11 MAINTENANCE

▲ CAUTION

Do not let brake fluids, gasoline, petroleum-based materials touch the plastic parts. Chemicals can cause damage to the plastic, and make the plastic unserviceable.

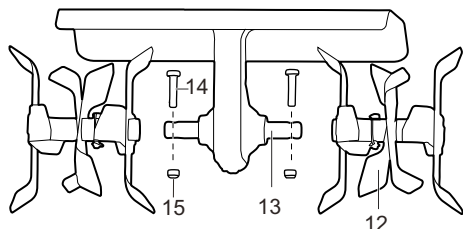
▲ CAUTION

Do not use strong solvents or detergents on the plastic housing or components.

▲ WARNING

Remove the battery pack from the machine before maintenance.

11.1 REPLACE THE TINES



▲ WARNING

Use only approved replacement tines.

▲ WARNING

Wear adequate clothing, gloves and goggles before carrying out any maintenance.

- Stop the machine.
- Disconnect the machine from the power supply.
- Put the machine on a flat and smooth surface.
- Remove the screw (14), nut (15) and tine (12) from the tine shaft (13).
- Install the new tine. Align the hole on the tine with hole on the tine shaft.
- To secure the tine to the tine shaft, insert the screw (14) into the hole and tighten the nut (15).

i NOTE

The unit will not operate properly if the tines are installed incorrectly. If you notice a problem with the cultivating operation of the unit, check for proper tine positioning.

▲ WARNING

The tines and the machine may damage even if you move the machine with the motor switched off. To prevent the tines from touching the ground while moving please tilt the machine.

11.2 CLEAN THE MACHINE

▲ WARNING

Keep the machine and the motor free of leaves, branches or excessive oil to prevent fire risks.

- Use a moist cloth with a mild detergent to clean the machine.
- Clean all moisture with a soft dry cloth.
- Use a small brush to clean the air vents.

12 STORE THE MACHINE

- Clean the machine before storage.
- Make sure that the motor is not hot when you store the machine.
- Make sure that the machine does not have loose or damaged parts. If it is necessary, do these steps/ instructions:
 - Replace the damaged parts.
 - Tighten the bolts.
 - Speak to a person of an approved service center.
- Store the machine in a dry area.
- Make sure that children cannot come near the machine.

13 TROUBLESHOOTING

Problem	Possible cause	Solution
Motor fails to start when bail switch is depressed.	Power cord is not plugged in or connection is loose.	Plug in the power cord.
	Household circuit breaker is tripped.	Check circuit breaker.

Problem	Possible cause	Solution
The machine smokes during operation.	The machine has damage.	<ol style="list-style-type: none"> 1. Immediately stop the machine. 2. Unplug the machine. 3. Speak to service center.
Motor runs but tines do not move.	The machine has damage.	Do not use the machine and speak to service center.
	The tines are blocked.	Unplug the machine then clear blockage from the tines.
	Gear train failure.	Speak to service center.

14 TECHNICAL DATA

Power	120V, 60Hz, 13.5A
No load speed	380 RPM
Cultivating path	16" (40.6 cm)
Weight	23.6 lbs (10.7 kg)
Cultivating depth	8.7" (22 cm)

15 LIMITED WARRANTY



Greenworks hereby warrants this product, to the original purchaser with proof of purchase, for a period of three (3) years against defects in materials, parts or workmanship. Greenworks, at its own discretion will repair or replace any and all parts found to be defective, through normal use, free of charge to the customer. This warranty is valid only for units which have been used for personal use that have not been hired or rented for industrial/commercial use, and that have been maintained in accordance with the instructions in the owners' manual supplied with the product from new.

ITEMS NOT COVERED BY WARRANTY:

1. Any part that has become inoperative due to misuse, commercial use, abuse, neglect, accident, improper maintenance, or alteration; or
2. The unit, if it has not been operated and/or maintained in accordance with the owner's manual; or
3. Normal wear, except as noted below;
4. Routine maintenance items such as lubricants, blade sharpening;
5. Normal deterioration of the exterior finish due to use or exposure.

HELPLINE:

Warranty service is available by calling our toll-free helpline, at 1-888-909-6757.

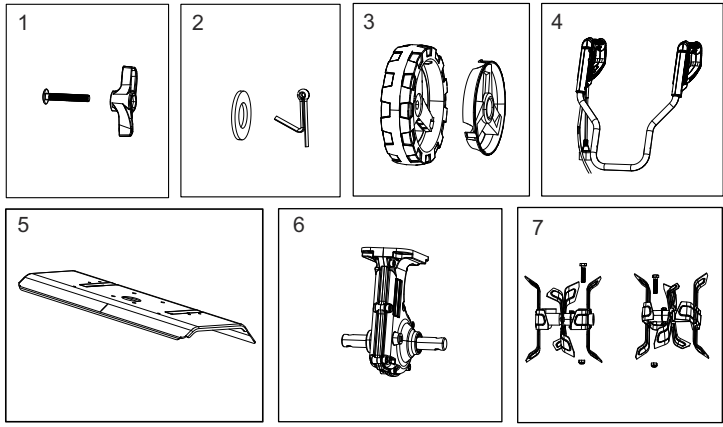
TRANSPORTATION CHARGES:

Transportation charges for the movement of any power equipment unit or attachment are the responsibility of the purchaser. It is the purchaser's responsibility to pay transportation charges for any part submitted for replacement under this warranty unless such return is requested in writing by Greenworks.

USA ADDRESS:

Greenworks Tools
P.O. Box 1238
Mooresville, NC 28115

16 EXPLODED VIEW



No.	Part No.	Qty	Description	No.	Part No.	Qty	Description
1	R0203924-00	4	Handle Knob Assembly	5	R0203928-00	1	Shield
2	R0203925-00	2	Split Pin Assembly	6	R0203929-00	1	Gear Box
3	R0203926-00	2	Wheel	7	R0203930-00	2	Tine Assembly
4	R0203927-00	1	Upper Handle Assembly				

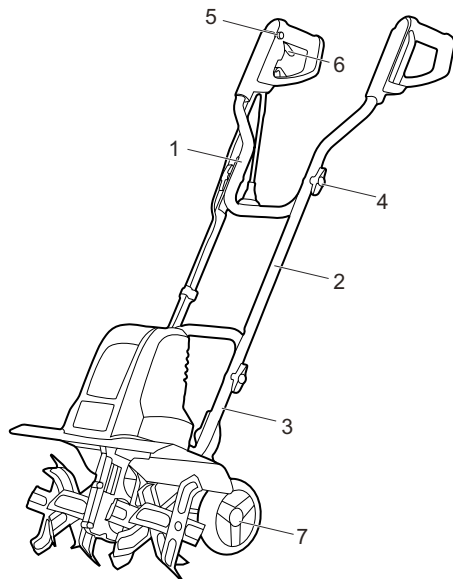
1	Descripción.....	14	9	Instalación.....	18
1.1	Finalidad.....	14	9.1	Desembalaje de la máquina.....	18
1.2	Perspectiva general.....	14	9.2	Instalación del asa.....	19
2	Advertencias generales de seguridad para herramientas eléctricas.....	14	9.3	Instalación del disco.....	19
2.1	Seguridad de la zona de trabajo.....	14	10	Aplicaciones.....	19
2.2	Seguridad eléctrica.....	14	10.1	Ajuste de la altura de las ruedas.....	19
2.3	Seguridad personal.....	14	10.2	Anchura de cultivo estrecha.....	19
2.4	Utilización y cuidado de herramientas eléctricas.....	15	10.3	Puesta en marcha de la máquina.....	20
2.5	Servicio.....	15	10.4	Detención de la máquina.....	20
3	Normas generales de seguridad.....	15	10.5	Consejos de funcionamiento.....	20
4	Símbolos en el producto.....	16	11	Mantenimiento.....	20
5	Niveles de riesgo.....	17	11.1	Sustitución de los dientes.....	20
6	Doble aislamiento.....	17	11.2	Limpieza de la máquina.....	21
7	Cables alargadores.....	17	12	Almacenamiento de la máquina.....	21
8	Propuesta 65.....	18	13	Solución de problemas.....	21
			14	Datos técnicos.....	21
			15	Garantía limitada.....	21
			16	Vista despiezada.....	23

1 DESCRIPCIÓN

1.1 FINALIDAD

La máquina se ha diseñado para aflojar la tierra en una zona ajardinada abierta. Este producto no está destinado para un uso comercial. No lo use para ninguna tarea comercial.

1.2 PERSPECTIVA GENERAL



- | | |
|----------------------|---------------------------------|
| 1 Asa superior | 5 Botón de bloqueo de seguridad |
| 2 Asa intermedia | 6 Interruptor |
| 3 Asa inferior | 7 Rueda |
| 4 Tuerca de mariposa | |

2 ADVERTENCIAS GENERALES DE SEGURIDAD PARA HERRAMIENTAS ELÉCTRICAS

▲ AVISO

Lea todas las advertencias de seguridad y todas las instrucciones. El incumplimiento de las advertencias e instrucciones puede provocar descargas eléctricas, incendios o lesiones graves.

Guarde todas las advertencias e instrucciones para su consulta posterior.

El término "herramienta eléctrica" empleado en las advertencias se refiere a su herramienta eléctrica con funcionamiento de red (con cable).

2.1 SEGURIDAD DE LA ZONA DE TRABAJO

- Mantenga limpia y bien iluminada la zona de trabajo. Las zonas desordenadas u oscuras fomentan los accidentes.
- No utilice herramientas eléctricas en atmósferas explosivas, como en la presencia de líquidos, gases o polvo que puedan inflamarse. Las herramientas eléctricas generan chispas que pueden encender el polvo o los gases.
- Mantenga alejados a los niños y los transeúntes mientras utilice una herramienta eléctrica. Las distracciones pueden hacer que pierda el control.

2.2 SEGURIDAD ELÉCTRICA

- Los enchufes de las herramientas eléctricas deben corresponder con la toma de corriente. Nunca modifique el enchufe en modo alguno. No utilice enchufes adaptadores con herramientas eléctricas conectadas a tierra. La utilización de enchufes no modificados y de tomas de corriente adecuadas reducirá el riesgo de descarga eléctrica.
- Evite el contacto del cuerpo con superficies conectadas a tierra, como tuberías, radiadores, estufas y refrigeradores. Existe un riesgo aumentado de descarga eléctrica si su cuerpo está conectado a tierra.
- No exponga las herramientas eléctricas a la lluvia o a condiciones de humedad. Si penetra agua en una herramienta eléctrica, aumentará el riesgo de descarga eléctrica.
- No abuse del cable. Nunca utilice el cable para transportar, tirar o desenchufar la herramienta eléctrica. Mantenga el cable alejado del calor, el aceite, los bordes afilados y las piezas móviles. Los cables dañados o enredados aumentan el riesgo de descarga eléctrica.
- Cuando utilice una herramienta eléctrica en exteriores, use un cable alargador adecuado para uso en exterior. La utilización de un cable adecuado para uso en exterior reduce el riesgo de descarga eléctrica.
- Si no es inevitable el uso de una herramienta eléctrica en un lugar húmedo, utilice un suministro protegido por un DISPOSITIVO DE CORRIENTE RESIDUAL (RCD). La utilización de un RCD reduce el riesgo de descarga eléctrica.

2.3 SEGURIDAD PERSONAL

- Manténgase alerta, observe lo que está haciendo y emplee el sentido común cuando utilice una herramienta eléctrica. No utilice una herramienta eléctrica mientras esté cansado o bajo la influencia de drogas, alcohol o medicamentos. Un momento de inatención durante el uso de

herramientas eléctricas puede provocar lesiones personales graves.

- **Utilice equipos de protección personal. Lleve siempre protección ocular.** Si se utilizan correctamente equipos de protección como máscaras antipolvo, zapatos de seguridad antideslizantes, cascos o protecciones auditivas, se reducirán las lesiones personales.
- **Evite el arranque accidental. Asegúrese de que el interruptor esté en la posición de apagado antes de conectar a la fuente de alimentación o a la batería y al coger o transportar la herramienta.** El transporte de herramientas eléctricas con el dedo en el interruptor o la conexión de herramientas eléctricas que tienen el interruptor activado fomenta los accidentes.
- **Retire cualquier llave de ajuste antes de encender la herramienta eléctrica.** Una llave que se quede fijada a una pieza giratoria de la herramienta eléctrica puede provocar lesiones personales.
- **No se estire. Mantenga en todo momento una postura adecuada y el equilibrio.** Esto permite un mejor control de la herramienta eléctrica en situaciones inesperadas.
- **Lleve indumentaria adecuada. No lleve ropa o joyas sueltas. Mantenga el cabello, la ropa y los guantes lejos de las piezas móviles.** La ropa suelta, las joyas o el cabello largo pueden quedar atrapados en las piezas móviles.
- **Si se utilizan dispositivos para la conexión de sistemas de extracción y recogida de polvo, asegúrese de que estén conectados y se utilicen correctamente.** La utilización de sistemas de recogida de polvo puede reducir los riesgos relacionados con el polvo.
- **No permita que la familiaridad adquirida con el uso frecuente de las herramientas le permita ser confiado e ignorar los principios de seguridad de las herramientas.** Una acción descuidada puede provocar lesiones graves en una fracción de segundo.

2.4 UTILIZACIÓN Y CUIDADO DE HERRAMIENTAS ELÉCTRICAS

- **No fuerce la herramienta eléctrica. Utilice la herramienta eléctrica correcta para su aplicación.** La herramienta eléctrica correcta hará el trabajo mejor y con mayor seguridad a la velocidad para la que se diseñó.
- **No utilice la herramienta eléctrica si el interruptor no la enciende y la apaga.** Cualquier herramienta eléctrica que no pueda controlarse con el interruptor es peligrosa y debe repararse.
- **Desconecte el enchufe de la fuente de alimentación o retire la BATERÍA, si es extraíble, de la herramienta eléctrica antes de realizar ajustes, cambiar accesorios o almacenar**

herramientas eléctricas. Estas medidas de seguridad preventivas reducen el riesgo de que la herramienta eléctrica se arranque accidentalmente.

- **Almacene las herramientas eléctricas inactivas fuera del alcance de los niños y no permita que personas que no estén familiarizadas con la herramienta eléctrica o estas instrucciones puedan utilizarla.** Las herramientas eléctricas son peligrosas en manos de usuarios inexpertos.
- **Mantenga las herramientas eléctricas y los accesorios. Compruebe si hay desalineación o unión de las piezas móviles, rotura de piezas y cualquier otra condición que pueda afectar al funcionamiento de la herramienta eléctrica.** Si ha sufrido daños, lleve a reparar la herramienta eléctrica antes del uso. Numerosos accidentes se deben a herramientas eléctricas mal mantenidas.
- **Mantenga limpias y afiladas las herramientas de corte.** Las herramientas de corte mantenidas correctamente con filos cortantes tienen menos probabilidades de atascarse y son más fáciles de controlar.
- **Utilice la herramienta eléctrica, los accesorios, las brocas, etc. de acuerdo con estas instrucciones, teniendo en cuenta las condiciones de trabajo y el trabajo a realizar.** El uso de la herramienta eléctrica para operaciones distintas de las previstas podría dar lugar a una situación peligrosa.
- **Mantenga las asas y las superficies de agarre secas, limpias y sin restos de aceite y grasa.** Las asas y las superficies de agarre resbaladizas no permiten un manejo y control seguros de la herramienta en situaciones inesperadas.

2.5 SERVICIO

- **Solicite a un técnico de reparación cualificado que realice las tareas de servicio de su herramienta eléctrica utilizando únicamente piezas de repuesto idénticas.** Esto garantizará el mantenimiento de la seguridad de la herramienta eléctrica.
- **Nunca repare las baterías dañadas.** La reparación de las baterías únicamente debe ser realizada por el fabricante o los proveedores de servicio técnico autorizados.






3 NORMAS GENERALES DE SEGURIDAD




- **Piezas de repuesto** – Cuando realice tareas de servicio utilice únicamente piezas de repuesto idénticas.
- **Conexiones polarizadas del aparato** – Para reducir el riesgo de descarga eléctrica, este aparato tiene un enchufe polarizado (una clavija es más ancha que la otra) y debe utilizarse con un cable alargador polarizado. El enchufe del aparato solo encajará

- en un cable alargador polarizado de una manera. Si el enchufe no encaja completamente en el cable alargador, invierta el enchufe. Si el enchufe sigue sin encajar, obtenga un cable alargador polarizado correcto. Un cable alargador polarizado debe enchufarse en una toma de pared polarizada. Este enchufe solo encajará en la toma de pared polarizada de una manera. Si el enchufe no encaja completamente en la toma de pared, invierta el enchufe. Si el enchufe sigue sin encajar, contacte con un electricista cualificado para instalar una toma de pared adecuada. No cambie en modo alguno el enchufe del equipo, el receptáculo del cable alargador ni el enchufe del cable alargador.
- Evite los entornos peligrosos – No utilice los aparatos en lugares húmedos o mojados.
 - No utilice bajo la lluvia.
 - Mantenga alejados a los niños – Todos los visitantes deben mantenerse a una distancia segura de la zona de trabajo.
 - Lleve indumentaria adecuada – No lleve ropa o joyas sueltas. Pueden quedar atrapadas en las piezas móviles. Se recomienda el uso de guantes de goma y calzado resistente cuando se trabaje en el exterior. Lleve una protección capilar para sujetar el cabello largo.
 - Lleve gafas de seguridad – Utilice siempre una máscara facial o antipolvo si se levanta polvo durante el funcionamiento.
 - Utilice el aparato adecuado – No utilice el aparato para trabajos distintos del previsto.
 - Advertencia – Para reducir el riesgo de descarga eléctrica, utilice únicamente con un cable alargador diseñado para uso en exteriores, como un cable alargador tipo SW-A, SOW-A, STW-A, STOW-A, SJW-A, SJOW-A, SJTW-A. o SJTOW-A.
 - Evite la puesta en marcha accidental – No transporte un aparato enchufado con el dedo sobre el interruptor. Asegúrese de que el interruptor esté desactivado al enchufar.
 - No maltrate el cable – Nunca transporte el aparato por el cable ni tire de este para desconectar del enchufe. Mantenga el cable alejado del calor, el aceite y los bordes afilados.
 - No agarre las cuchillas de corte expuestas o los filos de corte cuando levante o sujete el aparato.
 - No fuerce el aparato – Hará el trabajo mejor y con menos probabilidades de sufrir lesiones a la velocidad para la que se diseñó.
 - No se estire – Mantenga en todo momento una postura adecuada y el equilibrio.
 - Manténgase alerta – Observe lo que está haciendo en todo momento. Utilice el sentido común. No utilice el aparato cuando esté cansado.
 - Desconexión del aparato – Desconecte el aparato de la fuente de alimentación cuando no esté en uso, antes de realizar tareas de servicio, cuando cambie accesorios, como cuchillas, y similar.
 - Almacene los aparatos en interior – Cuando no estén en uso, los aparatos deben almacenarse en interiores, en un lugar seco y alto o cerrado, fuera del alcance de los niños.
 - Cuide el mantenimiento del aparato – Mantenga el filo afilado y limpio para un mejor rendimiento y para reducir el riesgo de lesiones. Siga las instrucciones para la lubricación y el cambio de accesorios. Inspeccione periódicamente el cable del aparato, y si está dañado, haga que lo repare un centro de servicio técnico autorizado. Inspeccione periódicamente los cables alargadores y sustitúyalos si están dañados. Mantenga las asas secas, limpias y sin restos de aceite y grasa.
 - Compruebe las piezas dañadas – Antes de seguir utilizando el aparato, una protección u otra pieza dañada debe comprobarse detenidamente para determinar si funcionará correctamente y cumplirá su función prevista. Compruebe la alineación de las piezas móviles, la unión de las piezas móviles, la rotura de piezas, el montaje y cualquier otra condición que pueda afectar a su funcionamiento. Una protección u otra pieza que esté dañada debe ser reparada o sustituida debidamente por un centro de servicio autorizado, a menos que se indique lo contrario en este manual.

4 SÍMBOLOS EN EL PRODUCTO




En el producto pueden utilizarse algunos de los siguientes símbolos. Le rogamos que los estudie y aprenda su significado. La interpretación correcta de estos símbolos le permitirá manejar el producto mejor y de manera más segura.

Símbolo	Explicación
V	Tensión
A	Corriente
Hz	Frecuencia (ciclos por segundo)
	Tipo o una característica de corriente
	Mantenga los pies y las manos alejados de los dientes giratorios.
	Precauciones que afectan a su seguridad.
	Debe leer y entender todas las instrucciones antes de manejar el producto, así como seguir todas las advertencias e instrucciones de seguridad.
	Lleve protección ocular y auditiva.

Símbolo	Explicación
	Mantenga a los transeúntes al menos a 15 m.
	No exponga el producto a la lluvia o a condiciones de humedad.
	Estructura con doble aislamiento.

5 NIVELES DE RIESGO

Las siguientes indicaciones y los significados explican los niveles de riesgo asociados a este producto.

SÍMBOLO	INDICACIÓN	SIGNIFICADO
	PELIGRO	Indica una situación de peligro inminente que, de no evitarse, provocará lesiones graves o incluso la muerte.
	ADVERTENCIA	Indica una situación de peligro potencial que, de no evitarse, podría provocar lesiones graves o incluso la muerte.
	PRECAUCIÓN	Indica una situación de peligro potencial que, de no evitarse, puede provocar lesiones leves o moderadas.
	PRECAUCIÓN	(Sin símbolo de alerta sobre seguridad) Indica una situación que puede provocar daños materiales.

6 DOBLE AISLAMIENTO

El doble aislamiento es un concepto de seguridad en herramientas eléctricas, que elimina la necesidad del cable de alimentación trifilar habitual con tierra. Todas las piezas metálicas expuestas están aisladas de los componentes metálicos internos del motor mediante aislamiento protector. Las herramientas con doble aislamiento no necesitan conectarse a tierra.

▲ AVISO

El sistema de doble aislamiento se ha diseñado para proteger al usuario de descargas que resulten de una ruptura en el aislamiento interno de la herramienta. Respete todas las precauciones de seguridad habituales para evitar descargas eléctricas.

i NOTA

Las tareas de servicio en un producto con doble aislamiento exigen un cuidado extremo y un buen conocimiento del sistema y únicamente debe realizarlas un técnico de servicio cualificado. Para cuestiones de servicio, le recomendamos que devuelva la herramienta al centro de servicio autorizado más cercano para su reparación. Utilice siempre piezas de repuesto originales de fábrica cuando realice tareas de servicio.

7 CABLES ALARGADORES

Cuando utilice una herramienta eléctrica a una distancia considerable de una fuente de alimentación, asegúrese de utilizar un cable alargador que tenga la capacidad de manejar la corriente que utilizará el producto. Un cable de tamaño insuficiente producirá una caída en la tensión de la línea, lo que a su vez generará sobrecalentamiento y pérdida de energía. Utilice el gráfico para determinar el tamaño mínimo de cable necesario en un cable alargador. Únicamente deben utilizarse cables redondos revestidos con certificación de Underwriter's Laboratories (UL).

Cuando trabaje en el exterior con un producto, utilice un cable alargador que se haya diseñado para uso en exterior. Este tipo de cable está designado "W-A" o "W" en el revestimiento del cable. Antes de utilizar cualquier cable alargador, inspeccione si hay hilos sueltos o expuestos y si el aislamiento está cortado o desgastado.

CALIBRE MÍNIMO PARA LOS CABLES ALARGADORES (AWG) (CUANDO SE UTILIZAN SOLAMENTE 120 V)

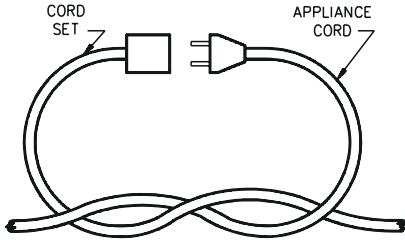
Amperaje nominal		Longitud total del cable en pies (metros)			
Más de	No más de	25' (7,6 m)	50' (15 m)	100' (30,4 m)	150' (45,7 m)
0	6	/	/	/	/
6	10	/	/	/	/
10	12	/	/	/	/
12	16	14	12	No se recomienda	

Cable alargador – Asegúrese de que su cable alargador esté en buenas condiciones. Cuando utilice un cable alargador, asegúrese de utilizar uno lo suficientemente pesado como para transportar la corriente que su producto consumirá. Un cable alargador de tamaño insuficiente producirá una caída en la tensión, lo que a su vez generará pérdida de energía y sobrecalentamiento. La tabla muestra el tamaño correcto a utilizar según la longitud del cable y el

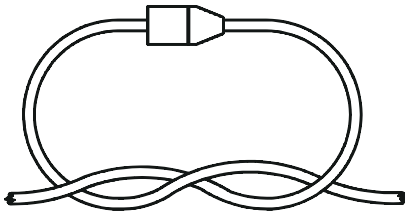
amperaje nominal de la placa de identificación. En caso de duda, utilice el siguiente calibre más pesado. Cuanto menor sea el número de calibre, más pesado es el cable. Para reducir el riesgo de desconexión del cable del aparato del cable alargador durante el funcionamiento:

1. Haga un nudo como se muestra en la Figura A. o
2. Utilice una de las correas o conectores de retención del receptáculo del enchufe.

MÉTODO PARA FIJAR EL CABLE ALARGADOR



(A) THE CORD AS SHOWN



(B) CONNECT PLUG AND RECEPTACLE

▲ AVISO

Mantenga el cable alargador alejado de la superficie de trabajo. Coloque el cable de manera que no quede atrapado en madera, herramientas u otras obstrucciones mientras trabaja con una herramienta eléctrica. De no hacerlo podrían producirse lesiones personales graves.

▲ AVISO

Compruebe los cables alargadores antes de cada uso. En caso de daños sustituya inmediatamente. Nunca utilice el producto con un cable dañado, ya que si toca la zona dañada podría producirse una descarga eléctrica con las consiguientes lesiones graves.

8 PROPUESTA 65

▲ AVISO

Este producto contiene una sustancia química conocida en el estado de California como causante de cáncer, defectos de nacimiento u otros daños reproductivos. El polvo generado por el lijado eléctrico, el serrado, el esmerilado, la perforación y otras actividades de construcción contiene sustancias químicas que se sabe que son causantes de cáncer, defectos de nacimiento u otros daños reproductivos. Algunos ejemplos de estas sustancias químicas son:

- Plomo de pinturas con base de plomo;
- Sílice cristalina de ladrillos y cemento y otros productos de albañilería;
- Arsénico y cromo de la madera tratada químicamente.

El riesgo de exposición a estas sustancias químicas varía según la frecuencia con la que realice este tipo de trabajo. Para reducir su exposición a estas sustancias químicas, trabaje en una zona bien ventilada y trabaje con equipos de seguridad aprobados, como máscaras antipolvo, que estén especialmente diseñadas para filtrar partículas microscópicas.

Conserve estas instrucciones.

9 INSTALACIÓN

▲ AVISO

No cambie ni utilice accesorios que no sean los recomendados por el fabricante.

▲ AVISO

No conecte la máquina a la fuente de alimentación hasta que haya montado todas las piezas.

9.1 DESEMBALAJE DE LA MÁQUINA

▲ AVISO

Asegúrese de montar correctamente la máquina antes del uso.

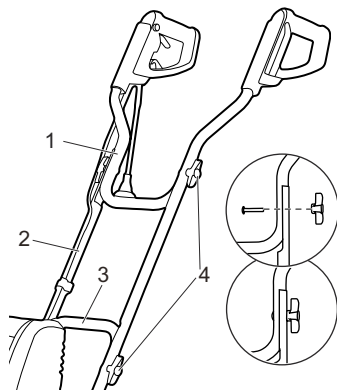
▲ AVISO

- Si las piezas de la máquina presentan daños, no utilice la máquina.
- Si no tiene todas las piezas, no utilice la máquina.
- Si faltan piezas o hay piezas dañadas, contacte con el centro de servicio.

1. Abra el embalaje.
2. Lea la documentación que se proporciona en la caja.

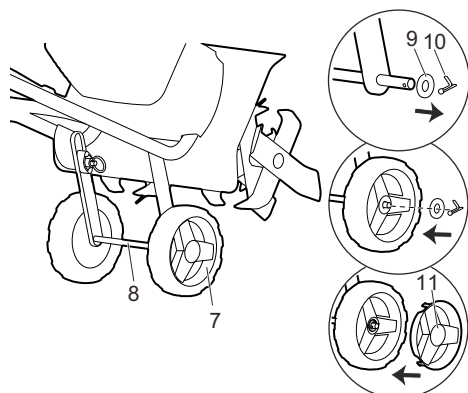
3. Retire todas las piezas sin montar de la caja.
4. Retire la máquina de la caja.
5. Deseche la caja y el material de embalaje de conformidad con los reglamentos locales.

9.2 INSTALACIÓN DEL ASA



1. Alinee los orificios del asa intermedia (2) con los orificios del asa inferior (3).
2. Alinee los orificios del asa superior (1) con los orificios del asa intermedia (2).
3. Introduzca los pernos por las asas.
4. Utilice las tuercas de mariposa (4) para apretarlos.

9.3 INSTALACIÓN DEL DISCO



1. Retire la arandela (9) y el pasador en R (10) de la barra de soporte (8).
2. Inserte la rueda (7) en la barra de soporte (8).
3. Fíjela con la arandela (9) y el pasador en R (10).
4. Inserte la tapa de la rueda (11).

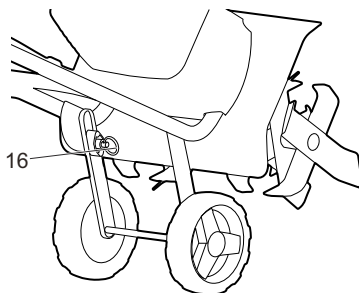
10 APLICACIONES

- Disgregado de la tierra del jardín para preparar semilleros para la plantación.
- Cultivo superficial para eliminar las malas hierbas.

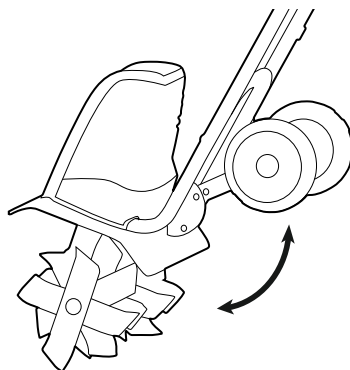
10.1 AJUSTE DE LA ALTURA DE LAS RUEDAS

La posición de la rueda de la máquina es ajustable.

1. Saque el pasador de bloqueo (16).

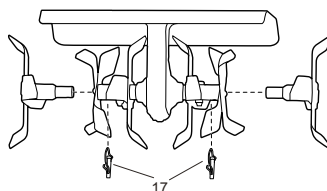


2. Mueva el conjunto de las ruedas a la posición deseada.



3. Suelte el pasador de bloqueo y asegúrese de que se bloquee en su posición.

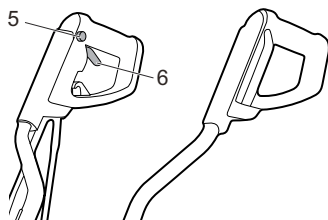
10.2 ANCHURA DE CULTIVO ESTRECHA



Las dos cuchillas de dientes exteriores pueden retirarse de la unidad para permitir una anchura de cultivo más estrecha.

1. Retire las tuercas con autobloqueo (17) de los dientes.
2. Retire los dientes exteriores.

10.3 PUESTA EN MARCHA DE LA MÁQUINA



1. Conecte la máquina a un cable alargador aprobado para exterior.
2. Pulse el botón de bloqueo de seguridad (5).
3. Pulse el interruptor (6) mientras sujeta el botón de bloqueo de seguridad.
4. Suelte el botón de bloqueo de seguridad.

▲ AVISO

Sujete la máquina con las dos manos durante el funcionamiento.

¡ NOTA

Colóquese detrás de la máquina con los dientes en el suelo y la superficie de trabajo limpia y sin obstrucciones.

10.4 DETENCIÓN DE LA MÁQUINA

1. Suelte el interruptor para detener la máquina.

10.5 CONSEJOS DE FUNCIONAMIENTO

El cultivador puede utilizarse para disgregar la tierra del jardín y preparar un semillero para plantar. Planifique con antelación para dejar suficiente espacio entre las hileras de semillas para permitir el cultivo a máquina después de que las plantas hayan crecido.

1. Puede que sea necesario pasar varias veces sobre el mismo surco para alcanzar la profundidad deseada. No intente cavar demasiado profundo en la primera pasada.
2. Si la máquina salta o gira, deje que la unidad avance a una velocidad ligeramente más rápida o instale el conjunto de las ruedas.

3. Si el cultivador se queda y cava en un lugar, intente moverlo de lado a lado para que empiece a avanzar nuevamente.
4. Si la tierra está muy compactada, riegue unos días antes de cultivar. Evite trabajar la tierra cuando esté húmeda o mojada. Espere uno o dos días después de fuertes lluvias para que la tierra se seque.
5. El cultivo superficial de menos de 5 cm. puede utilizarse para quitar las malas hierbas y airear la tierra, sin dañar las raíces de las plantas cercanas. Debe hacerse con frecuencia para que no crezcan las malas hierbas y produzcan enredos en los dientes de la unidad.

11 MANTENIMIENTO

▲ PRECAUCIÓN

No permita que líquidos de frenos, gasolina y otros derivados del petróleo toquen las piezas de plástico. Las sustancias químicas pueden dañar el plástico y hacer que quede inservible.

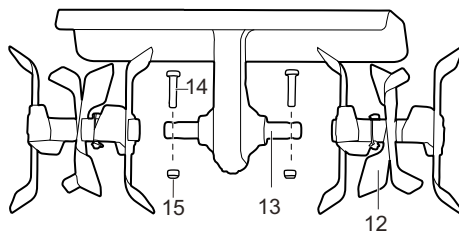
▲ PRECAUCIÓN

No utilice disolventes o detergentes fuertes en la carcasa o los componentes de plástico.

▲ AVISO

Retire la batería de la máquina antes de realizar tareas de mantenimiento.

11.1 SUSTITUCIÓN DE LOS DIENTES



▲ AVISO

Utilice únicamente dientes de repuesto aprobados.

▲ AVISO

Lleve ropa, guantes y gafas adecuados antes de realizar cualquier tarea de mantenimiento.

1. Detenga la máquina.
2. Desconecte la máquina de la fuente de alimentación.
3. Coloque la máquina sobre una superficie plana y lisa.

- Retire el tornillo (14), la tuerca (15) y el diente (12) del eje de los dientes (13).
- Instale el diente nuevo. Alinee el orificio del diente con el orificio en el eje de dientes.
- Para fijar el diente en el eje de dientes, inserte el tornillo (14) en el orificio y apriete la tuerca (15).

¡ NOTA

La unidad no funcionará correctamente si los dientes están instalados incorrectamente. Si observa un problema con la operación de cultivo de la unidad, compruebe la colocación correcta de los dientes.

▲ AVISO

Los dientes y la máquina pueden sufrir daños incluso si mueve la máquina con el motor apagado. Para evitar que los dientes toquen el suelo durante el movimiento, incline la máquina.

11.2 LIMPIEZA DE LA MÁQUINA

▲ AVISO

Mantenga la máquina y el motor libres de hojas, ramas o exceso de aceite para evitar riesgos de incendio.

- Utilice un paño húmedo con un detergente suave para limpiar la máquina.
- Limpie toda la humedad con un paño suave y seco.
- Utilice un cepillo pequeño para limpiar los orificios de ventilación.

12 ALMACENAMIENTO DE LA MÁQUINA

- Limpie la máquina antes del almacenamiento.
- Asegúrese de que el motor no esté caliente cuando almacene la máquina.
- Asegúrese de que la máquina no tenga piezas sueltas o dañadas. Si es necesario, siga estos pasos/estas instrucciones:
 - Sustituya las piezas dañadas.
 - Apriete los pernos.
 - Hable con una persona de un centro de servicio aprobado.
- Almacene la máquina en una zona seca.
- Asegúrese de que los niños no puedan acercarse a la máquina.

13 SOLUCIÓN DE PROBLEMAS

Problema	Posible causa	Solución
El motor no consigue arrancar cuando está presionado el interruptor de seguridad.	El cable de alimentación no está enchufado o la conexión está suelta.	Enchufe el cable de alimentación.
	El disyuntor del circuito doméstico ha saltado.	Compruebe el disyuntor del circuito.
La máquina echa humo durante el funcionamiento.	La máquina ha sufrido daños.	1. Detenga la máquina inmediatamente.
		2. Desenchufe la máquina.
		3. Consulte con un centro de servicio.
El motor funciona pero los dientes no se mueven.	La máquina ha sufrido daños.	No utilice la máquina y consulte con un centro de servicio.
	Los dientes están bloqueados.	Desenchufe la máquina, posteriormente elimine el bloqueo de los dientes.
	Fallo del tren de engranajes.	Consulte con un centro de servicio.

14 DATOS TÉCNICOS

Potencia	120V, 60Hz, 13.5A
Velocidad sin carga	380 RPM
Surco de cultivo	16" (40.6 cm)
Peso	23.6 lbs (10.7 kg)
Profundidad de cultivo	8.7" (22 cm)

15 GARANTÍA LIMITADA



Greenworks Por la presente, se garantiza este producto al comprador original en posesión de la prueba de

compra por un período de tres (3) años contra defectos de material, piezas o mano de obra. Greenworks, a su propia discreción, reparará o reemplazará todas y cada una de las piezas que se encuentren defectuosas, en base a un uso normal, sin costo alguno para el cliente. Esta garantía es válida para aparatos de los que se ha realizado un uso personal y no han sido alquilados para aplicaciones comerciales/industriales, y que han sido sometidos a un mantenimiento tal y como se indica en las instrucciones del manual del usuario suministrado con el producto nuevo.

LO QUE NO CUBRE LA GARANTÍA:

1. Cualquier pieza que no funcione debido al uso incorrecto, uso comercial, abusivo, negligencia, accidente, mantenimiento inadecuado, o alteración; o
2. La unidad, si no ha sido utilizada y/o mantenida siguiendo el manual del propietario; o
3. El desgaste normal, excepto según se indica a continuación.
4. Piezas que requieren un mantenimiento rutinario como lubricantes, afilar la cuchilla;
5. El deterioro normal del acabado exterior debido al uso o exposición.

ASISTENCIA AL USUARIO:

El servicio de garantía está disponible llamando a nuestra línea de asistencia gratuita al 1-888-909-6757.

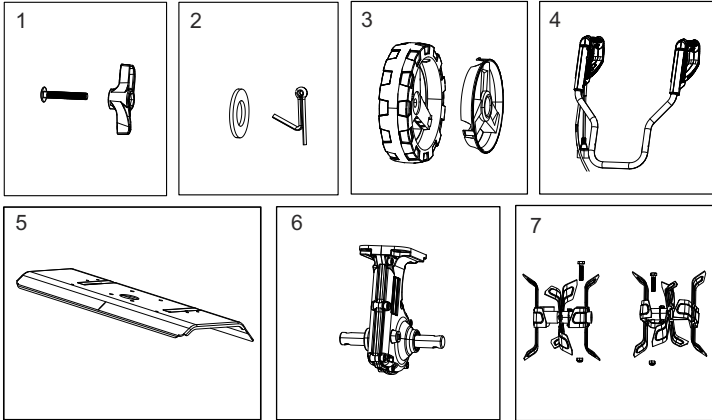
GASTOS DE TRANSPORTE:

Los gastos de transporte del traslado de cualquier herramienta eléctrica o accesorio será responsabilidad del comprador. Es responsabilidad del comprador pagar los gastos de transporte de cualquier pieza enviada para su reemplazo bajo esta garantía, salvo que dicha devolución sea solicitada por escrito por Greenworks.

DIRECCIÓN EN EE.UU. :

Greenworks Tools
P.O. Box 1238
Mooresville, NC 28115

16 VISTA DESPIEZADA



N.º	N.º pieza	Cant.	Descripción	N.º	N.º pieza	Cant.	Descripción
1	R0203924-00	4	Conjunto de mando del asa	5	R0203928-00	1	Protección
2	R0203925-00	2	Conjunto de pasador hendido	6	R0203929-00	1	Caja de engranajes
3	R0203926-00	2	Rueda	7	R0203930-00	2	Conjunto de dientes
4	R0203927-00	1	Conjunto de asa superior				

www.greenworkstools.com



greenworks[®]

Rev B2