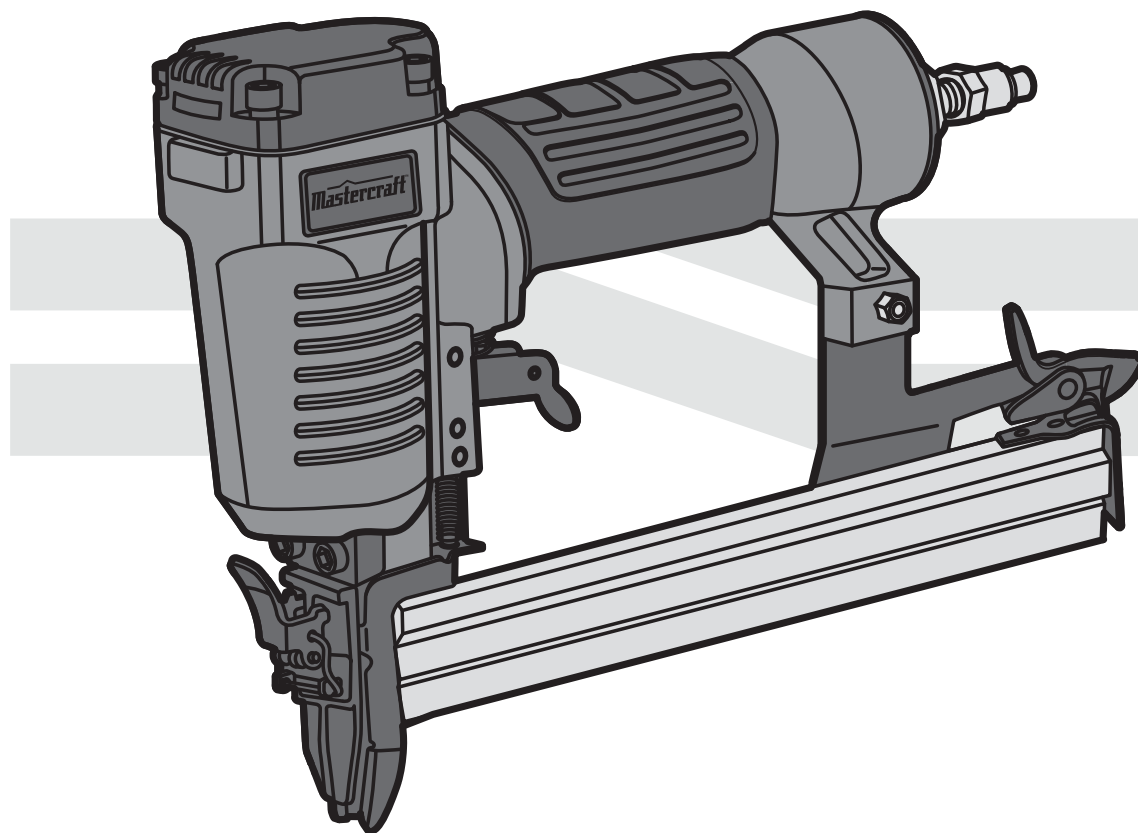


Mastercraft™



INSTRUCTION MANUAL
**AIR-POWERED
STAPLER**

058-8132-2

QUICK START GUIDE	
TECHNICAL SPECIFICATIONS	3
SAFETY GUIDELINES	4–9
KEY PARTS DIAGRAM	10
IMPORTANT INFORMATION	11–13
TYPES OF FASTENERS	14
OPERATING INSTRUCTIONS	15–19
MAINTENANCE	20–21
TROUBLESHOOTING	22–24
EXPLODED VIEW	25
PARTS LIST	26–27
WARRANTY	28–29

STAPLE CAPACITY (QTY.)	100 pieces
CROWN STAPLE SIZE	7/32" (5.7 mm)
STAPLE SIZE	1/2–1" (13 to 25 mm) 18 gauge
MAXIMUM RATED AIR PRESSURE	70–110 psi (4.8 - 7.5 bar)
MAXIMUM PRESSURE	120 psi (8.3 bar)
AVERAGE AIR CONSUMPTION	0.016 SCF/CYCLE @ 90 psi
AIR INLET	1/4" (6.4 mm) – 18 NPT
DIMENSIONS	55 x 180 x 250 mm
WEIGHT	2 lb 10 oz (1.2 kg)

SCFM: Standard Cubic Feet per Minute (the volumetric flow rate of air corrected to standardized conditions of temperature and pressure).

NPT: National Pipe Thread.

Environmental Responsibilities

Please recycle unwanted materials instead of disposing of them as waste. All tools, hoses and packaging should be sorted, taken to the local recycling centre and disposed of in an environmentally safe way.

Safety guidelines

This manual contains information that relates to PROTECTING PERSONAL SAFETY and PREVENTING EQUIPMENT PROBLEMS. It is very important to read this manual carefully and understand it thoroughly before using the product. The symbols listed below are used to indicate this information.



DANGER!

Potential hazard that will result in serious injury or loss of life.



WARNING!

Potential hazard that could result in serious injury or loss of life.



CAUTION!

Potential hazard that may result in moderate injury or damage to equipment.

Note- The word “Note” is used to inform the reader of something he/she needs to know about the tool.

PERSONAL SAFETY

These precautions are intended for the personal safety of the user and others working with the user. Please take time to read and understand them.

SAFETY GUIDELINES

Note: Carefully read and understand all the instructions in this manual before using the tool. Ensure that the operator has read and understood these instructions.

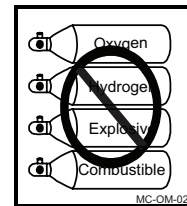
**DANGER!**

Potential hazard that will result in serious injury or loss of life.

- **Keep children away** from the work area. Do not allow children to handle power tools.
- **Keep air hose away from heat, oil, and sharp edges.** Check the air hose for wear before each use and ensure that all connections are proper.
- **Always ensure that the workpiece is firmly secured** leaving both hands free to control the tool.
- **Always ensure that the tool has stopped before putting it down after use,** in the interest of safety and to prevent possible damage to the tool/user.
- **Keep proper footing at all times in order to ensure correct balance.**



- **Do not use oxygen or any other combustible or bottled gas** to power air-powered tools. Failure to observe this warning can cause explosion and serious personal injury or death. Use only the compressed air to power the air-powered tools. Use a minimum of 25' (7.6 m) of hose to connect the tool to the compressor. Failure to comply will result in serious injury or loss of life.



- **Risk of electric shock:** Do not expose a compressor to rain. Store it indoors. Disconnect the compressor from power source before servicing. Compressor must be grounded. Do not use grounding adaptors.



- **Risk of personal injury:** Do not direct compressed air from the air hose towards the user or other personnel.



- **Risk for breathing:** Never directly inhale the air produced by the compressor.



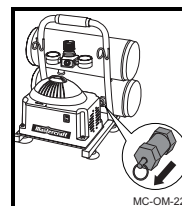
- **Risk of bursting:** Do not adjust the pressure switch or safety valve for any reason. They have been preset at the factory for this compressor's maximum pressure. Tampering with the pressure switch or the safety valve may cause personal injury or property damage.



- **Risk of burns:** The pump and the manifold generate high temperatures. In order to avoid burns or other injuries, do not touch the pump, the manifold, or the transfer tube while the compressor is running. Allow the parts to cool down before handling or servicing. Keep children away from the compressor at all times.



- **Risk of bursting:** Make sure the regulator is adjusted so that the compressor outlet pressure is set lower than the maximum operating pressure of the tool. Before starting the compressor, pull the ring on the safety valve to make sure the valve moves freely. Drain water from tank after each use. Do not weld or repair tank. Relieve all pressure in the hose before removing or attaching accessories.



**WARNING!**

Potential hazard that could result in serious injury or loss of life.

- Do not allow unskilled or untrained individuals to operate the Air-powered Stapler.
- Do not use the Air-powered Stapler for any task other than that it is designed to perform.
- Only a qualified person should use the Air-powered stapler.
- **Locate the compressor in a well-ventilated area** for cooling, and must be a minimum of 12" (31 cm) away from the nearest wall.
- **Protect the air hose and the power cord from damage and puncture. Inspect them for weak or worn spots every week**, and replace them if necessary.
- **Always wear hearing protection** when using the air compressor. Failure to do so may result in hearing loss.
- **Do not carry the compressor while it is running.**
- **Do not operate the compressor if it is not in a stable position.**
- **Do not operate the compressor on a rooftop or an elevated position** that could allow the unit to fall or be tipped over.
- **Always replace a damaged gauge** before operating the unit again.

**CAUTION!**

Potential hazard that may result in moderate injury or damage to equipment.

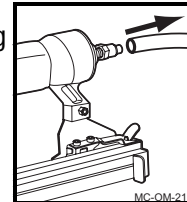
- **Always ensure that the tool has stopped before connecting to the air supply.**
- **Do not wear watches, rings, bracelets, or loose clothing** when using any air tool.
- **Do not overload the tool.** Allow the tool to operate at its optimum speed for maximum efficiency.
- Do not use a tool that is leaking air, with missing or damaged parts, or that requires repairs. **Verify that all screws are securely tightened.**
- For optimal safety and tool performance, **inspect the tool daily** in order to ensure free movement of the trigger, safety mechanisms, and springs.
- **Always keep your air tool clean and lubricated.** Daily lubrication is essential to avoid internal corrosion and possible failures.
- **Ensure the floor is not slippery** and wear non-slip shoes. Floors should be kept clean and clear.
- **Always follow all workshop safety rules, regulations, and conditions** when using the Air-powered Stapler.
- **Carry the tool by the handle only**, keeping the fingers away from the trigger. Do not carry the tool by the hose, magazine, or any other parts.
- **Do not use the tool near or below freezing conditions**, as doing so may cause the tool failure.
- **Do not store the tool in a freezing environment** to prevent ice formation on the operating valves of the tool, as doing so may cause tool failure.
- **Handling and storage of oil:** Use with adequate ventilation. Avoid contact of oil with eyes, skin, and clothing. Avoid breathing spray or mist. Store in a tightly closed container in a cool, dry, well-ventilated area free from incompatible substances.



CAUTION!

Potential hazard that may result in moderate injury or damage to equipment.

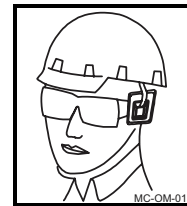
- **Disconnect tool from the air supply and turn off the compressor** before performing any maintenance, or changing accessories, when the tool is not in use, when it is being handed to another person, and when it is left unattended. Failure to comply may result in moderate injury or damage to equipment.



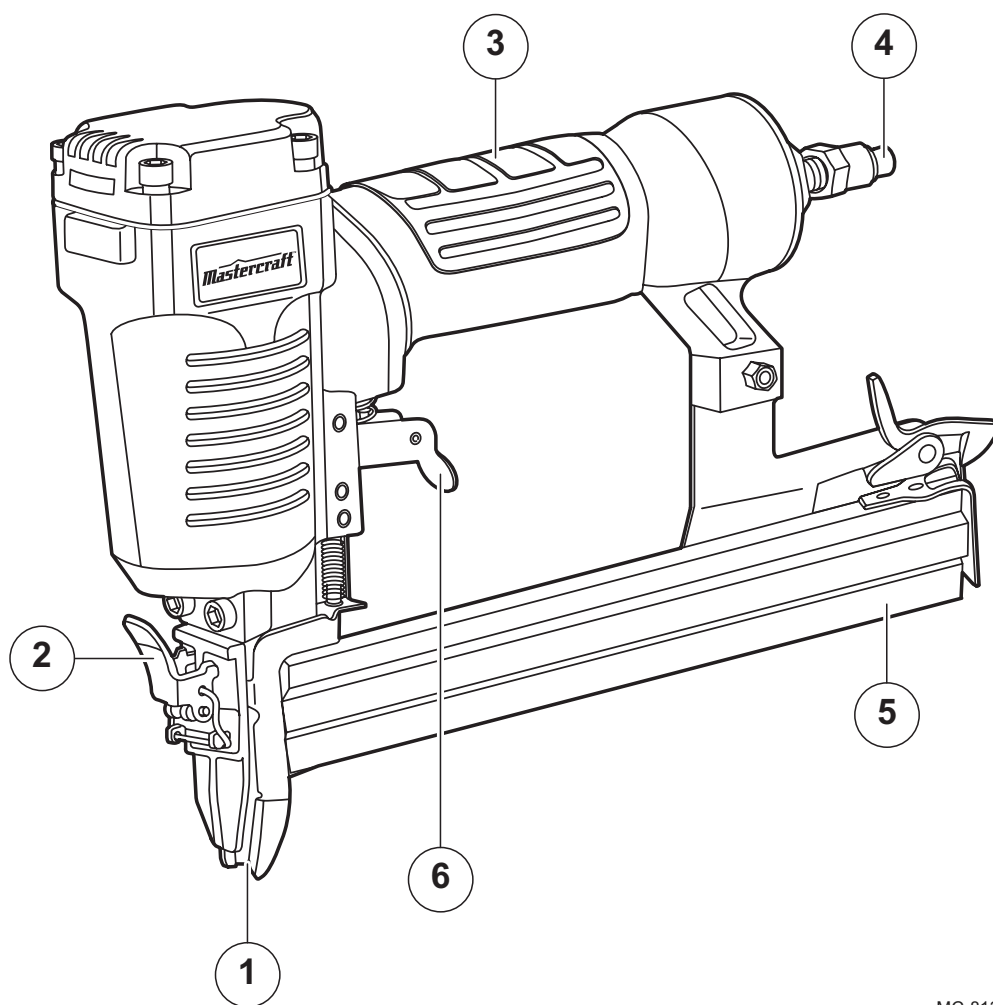
- **Use safety goggles and ear protection:**

Wear safety glasses with side shields when operating the tool/compressor and verify that others in the work area are also wearing safety glasses. Safety glasses must conform to American National Standards Institute (ANSI Z87.1) requirements and must provide protection from flying particles from the front and the sides.

Air-powered tools are loud and the sound can cause hearing damage. Always wear ear protection to prevent hearing damage and loss. Failure to comply may result in moderate injury.



Note: Recycle unwanted materials rather than disposing of them as waste. Sort the tools, hoses, and packaging in specific categories and take to the local recycling centre or dispose of them in an environmentally safe way.



MC-8132-02

KEY PARTS DIAGRAM

No.	Description	No.	Description
1	Firing head	4	Air inlet
2	Latch	5	Magazine
3	Rubber grip	6	Trigger

AIR-POWERED STAPLER 058-8132-2

Mastercraft

Compatible compressors

GUIDELINES FOR PROPER USE AND OPERATION

Be sure to use a proper air compressor with Mastercraft® air-powered tools. The compressor should be able to supply a minimal air delivery of 2.65 SCFM @ 90 PSI to ensure the compressor can run continuously with the Mastercraft Air-powered Stapler.

General use

This Mastercraft® Air-powered Stapler drives 18-gauge 13 to 25 mm (1/2 to 1") staples. The stapler magazine accepts staples without adjustment. The tool has a die cast aluminum body which is both strong and lightweight, and a comfort grip rubber handle for improved control and comfort even during extended use. It features a 360° air deflector for air exhaust. It is best suited for installing door and window trim, decorative trim, small cabinet work, and finish.

Air compressor size and power	1/3–1 1/3 HP	1 1/2 HP	2+ HP
2–6 Gallons	Light-duty and intermittent use	Light-duty and intermittent use	Light-duty and intermittent use
8–11 Gallons	Light-duty and intermittent use	Medium-duty and intermittent use	Heavy-duty and continuous use
15+ Gallons	Medium-duty and intermittent use	Heavy-duty and continuous use	Heavy-duty and continuous use

Wood density	Nail size	Compressor air pressure
>0.6 g/cm ³	<19 mm staples	90 PSI
	≥19 mm staples	100 PSI
≤0.6 g/cm ³	<19 mm staples	70 PSI
	≥19 mm staples	90 PSI



AIR-POWERED STAPLER 058-8132-2

Air system

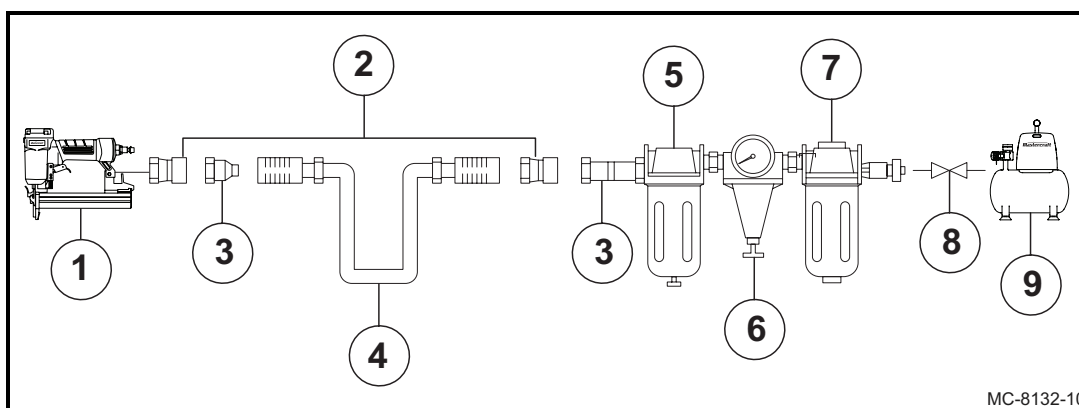
- Always use clean, dry, regulated, compressed air at 4.8 to 7 bar (70 to 100 psi).
- Do not exceed the maximum or minimum pressures. Operating the tool at the wrong pressure (too low or too high) will cause excessive noise or rapid wear.



WARNING!

Potential hazard that could result in serious injury or loss of life.

- Keep hands and other body parts away from the tool's discharge and working areas when connecting the air supply. Failure to comply could lead to serious injury or loss of life.



MC-8132-10

No.	Description	No.	Description
1	Mastercraft® Air-powered Stapler	6	Regulator (0 to 8.5 bar)
2	Quick connector	7	Filter
3	Quick coupler	8	Cut-off valve
4	Air hose	9	Air compressor
5	Lubricator		

- It is recommended that a filter-regulator-lubricator be used and be located as close to the tool as possible.
- If a filter-regulator-lubricator is not installed, place up to 6 drops of compressor oil into the air inlet plug before each use.
- If a filter-regulator-lubricator is installed, keep the air filter clean. A dirty filter will reduce the air pressure to the tool, which will cause a reduction in power, efficiency, and general performance.
- For optimal performance, install a quick connector to the tool and a quick coupler on the hose, if applicable.
- Verify that all of the connections in the air supply system are sealed in order to prevent air from leaking.

Read this Instruction Manual carefully before using the stapler.

- Read and follow all the safety instructions at the beginning of this manual. Inspect the Air-powered Stapler prior to each use in order to:
 - ensure that the proper power source is being used.
 - verify that the tool is in proper working order.



WARNING!

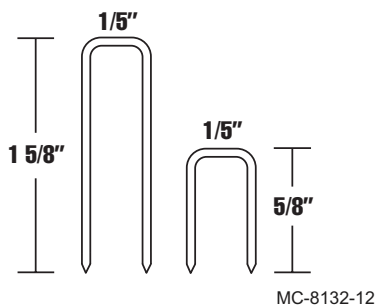
Potential hazard that could result in serious injury or loss of life.

- Do not use the tool if it is not in proper working order.
- Do not use oxygen or any other combustible or bottled gas to power this tool.
- Do not use this tool in the presence of any flammable liquids or gases.
- Keep hands and other parts of the body away from the firing head during use.
- Do not point the tool towards the operator or other people.
- Do not attempt to clear a jammed staple when the air hose is connected.
- Do not drive a staple on top of an existing staple. Failure to comply could lead to serious injury or loss of life.

This Mastercraft® Air-powered Stapler drives 18-gauge 15.9 to 41 mm (5/8 to 1 5/8") staples.

ACCEPTABLE STAPLES

Length: 5/8–1 5/8" (15.9 to 41 mm)



WARNING!

Potential hazard that could result in serious injury or loss of life.

- The use of any other types of staples will cause the stapler to jam and could lead to serious injury or loss of life.

NAIL TYPE ICONS

These icons are used to select the proper nails for this specific nailer.



Note: Icons are colour coded, please refer the actual tool for the specific colour.

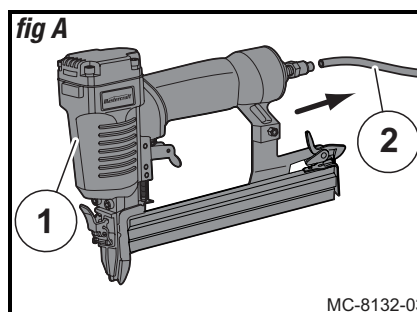
Loading staples

**DANGER!**

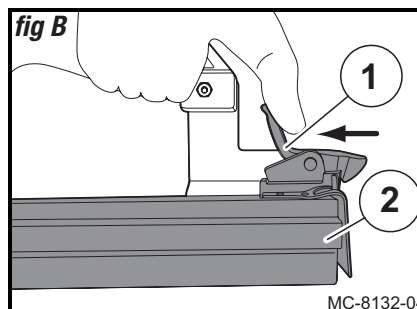
Potential hazard that will result in serious injury or loss of life.

- Disconnect the tool from the compressed air source before loading staples.
- Do not point the tool towards the operator or other people while changing staples.
- Do not hold the tool with the trigger pressed while changing the staples. Failure to comply will lead to serious injury or loss of life.

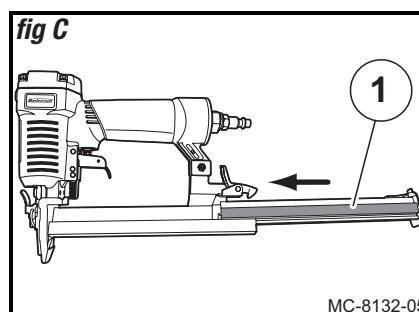
1. Disconnect the tool (1) from the air hose (2) (*fig A*).



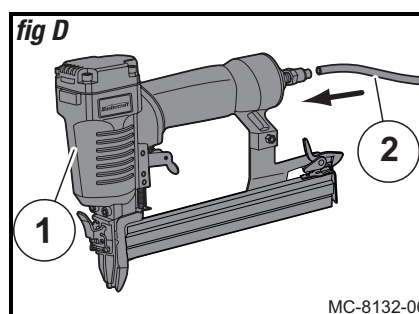
2. Take hold of the stapler firmly with one hand and use the other hand to press the latch (1) on the magazine (2) and slide it back. Insert a strip of staples into the magazine. Ensure the points of the staples are facing down (*fig B*).
 → (see nail type icon on page 14)



- Slide the pusher against the staples to close the magazine (1) until it comes into contact with the staples and locks into place (*fig C*).



- Plug in compressor, turn it on, set the pressure regulator to 90 psi, attach one end of the air hose to the compressor and the other end of the air hose (1) to the tool (2) (*fig D*). → page 11 (wood density chart)



WARNING!

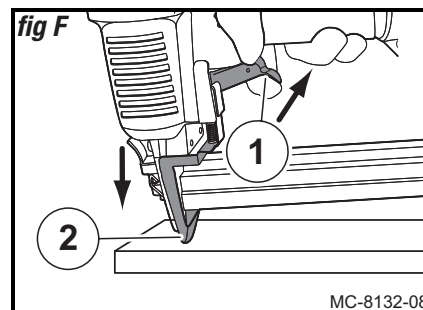
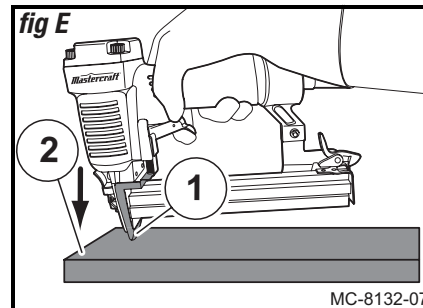
Potential hazard that could result in serious injury or loss of life.

- The safety tip must be in contact with the workpiece before activating the tool.
- Do not operate the tool if the staples are not loaded, as doing so may damage the tool.
- Do not fire staples into the air, as doing so may cause injury to the operators or others, apart from damaging the tool.
- Load the correct type of staples only, do not load different sized staples into the magazine, as doing so may cause staples to jam. Failure to comply could lead to serious injury or loss of life.

Firing modes

The Mastercraft® Air-powered Stapler is equipped with a single sequential actuation mode.

1. Press the safety stand (1) against the workpiece (2) (*fig E*).
2. Pull the trigger (1) to drive the staple with the safety stand (2) pressed firmly against the workpiece (*fig F*).
3. If the safety stand remains pressed, successive staples will fire each time the trigger is pressed.
4. Test the driving depth using a sample piece of wood before working on the workpiece. If the staples are being driven too deep or not deep enough, adjust the regulator in order to provide more or less air pressure, as required.



Cold weather operation

When operating any air-powered tool below freezing temperature
Do not use below 14°F(-10°C) freezing temperature.

- Verify the compressor tanks have been properly drained prior to use.
- Keep tools as warm as possible using any safe, convenient method.
- Place up to 6 drops of pneumatic tool oil into the tool's air inlet.
- Adjust the air pressure to 80 psi or lower.
- Load the staples into the magazine (if required).
- Actuate the tool 5 to 6 times into a scrap wooden piece in order to lubricate the O-rings.
- Adjust the air pressure up to the operating level (do not exceed 120 psi) and use the tool normally.
- Relubricate the tool, as described in the maintenance section.
- Drain the compressor tanks at least once per day.

Do not store tools in a cold weather environment to prevent frost or ice formation on the tools operating valves and mechanisms that could cause tool failure. Store in a dry place.



WARNING!

Potential hazard that could result in serious injury or loss of life.

- Disconnect the tool from the air supply when not in use. Failure to comply could cause the staples to be fired out of the tool causing serious injury.
- Disconnect the magazine from the tool and remove the non-jammed staples from the tool before clearing a jammed staple.
- Do not point the tool towards the operator or other people. Serious personal injury could result if these instructions are not followed.

Clearing a jammed staple

To clear a jammed staple

- Disconnect the tool from the air supply line.
- Remove the staples that are stored in the tool's magazine.
- Operate the latch and pull it back to open the magazine.
- Use pliers or any appropriate tool to remove the jammed staples.
- Reload the staples into the tool magazine.
- Slide the pusher against the staples to close the magazine and verify that the latch is moved to its original position.
- Reconnect the air line to the tool's air inlet.
- Test fire 3 to 5 staples into a piece of scrap wood in order to ensure proper operation.



CAUTION!

Potential hazard that may result in moderate injury or damage to equipment.

- Operate the tool with the utmost care when it is connected with the air compressor. Failure to comply may result in moderate injury or damage to equipment.

Note: If the staples continue to jam, please call 1-800-689-9928.

Maintenance



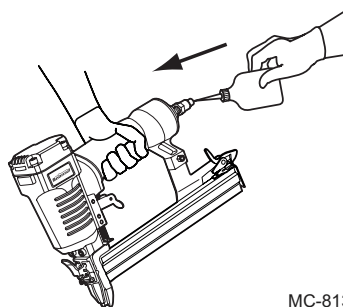
DANGER!

Potential hazard that will result in serious injury or loss of life.

- Disconnect the tool from the air compressor before performing maintenance/ service, adjusting, clearing jams, reloading, and when it is not in use.
- Repairs must be performed by a qualified service technician only. Failure to comply will lead to serious injury or loss of life.

MAINTENANCE REQUIRED	DESCRIPTION	TOOLS OR MATERIALS REQUIRED	MAXIMUM SERVICE INTERVAL		
			Each Use or every 2 Hrs	Monthly	As Needed
General inspection – free movement	Trigger, spring, safety mechanism	None	X		
In-depth inspection	Worn or broken parts			X	X
Replace worn or broken parts					X
Lubrication	See below	Pneumatic tool oil	X		

- **Lubrication:** If the Air-powered Stapler and the compressor are not equipped with an in-line lubrication system, place up to 6 drops of pneumatic tool oil into the air inlet before each work day or after every 2 hours of continuous use, based on the characteristics of the workpiece and staples used.



MC-8132-11

- Air-operated tools must be inspected periodically and worn or broken parts must be replaced in order to keep tools operating safely and efficiently.
- Inspect and replace worn or damaged O-rings, seals, etc. Tighten all screws and caps frequently in order to prevent personal injury.
- Inspect the trigger, spring, and safety mechanism for free movement on a regular basis in order to ensure that the safety system is fully functional. Verify that no parts are loose or missing and no parts are sticking or jammed.
- Keep the magazine and the safety tip of the tool clean and free of any dirt or abrasive particles.

Note: When temperatures are below freezing, maintain the tools in a warm condition using any safe, convenient method.

Troubleshooting

The following chart lists common issues and solutions. Please read it carefully and follow all instructions closely.



DANGER!

Potential hazard that will result in serious injury or loss of life.

- If any of the following symptoms appear while the tool is in use, turn it off and disconnect it from the air supply immediately. Failure to comply will lead to serious injury or loss of life.
- Disconnect the tool from the air supply before making any adjustments.
- Repairs must be performed by a qualified service technician only.

PROBLEM	POSSIBLE CAUSES	SOLUTIONS
Air leakage at the top of the tool or in the trigger area.	<ol style="list-style-type: none"> 1. O-rings in the trigger valve are damaged. 2. The trigger valve heads are damaged. 3. Trigger valve stem, seal, or O-rings are damaged. 	<ol style="list-style-type: none"> 1. Inspect and replace the O-ring. 2. Inspect and replace trigger valve heads. 3. Inspect and replace the trigger valve stem, seal, or O-rings. <p>Have the tool serviced by a qualified service technician.</p>
Air leakage at the bottom of the tool.	<ol style="list-style-type: none"> 1. The screws are loose. 2. The O-rings or the bumper are worn or damaged. 	<ol style="list-style-type: none"> 1. Tighten the screws. 2. Inspect and replace the O-rings or the bumper. <p>Have the tool serviced by a qualified service technician.</p>
Air leakage between the bottom and the cylinder cap.	<ol style="list-style-type: none"> 1. The screws are loose. 2. The O-rings or the seals are worn or damaged. 	<ol style="list-style-type: none"> 1. Tighten the screws. 2. Inspect and replace the O-rings or the seals. <p>Have the tool serviced by a qualified service technician.</p>
The staples are being driven too deep.	<ol style="list-style-type: none"> 1. The bumper is worn. 2. The air pressure is too high. 	<ol style="list-style-type: none"> 1. Replace the bumper. 2. Adjust the air pressure.

PROBLEM	POSSIBLE CAUSES	SOLUTIONS
The tool does not operate properly – it does not drive the staples or operates sluggishly.	<ol style="list-style-type: none"> 1. The air supply is inadequate. 2. Lubrication is inadequate. 3. The O-rings or seals are worn or damaged. 4. The exhaust port in the cylinder head is blocked. 	<ol style="list-style-type: none"> 1. Verify that the air supply is adequate. 2. Pour up to 6 drops of oil into the air inlet. 3. Inspect and replace O-rings or seals. 4. Replace the damaged internal parts. <p>Have the tool serviced by a qualified service technician.</p>
The tool skips staples.	<ol style="list-style-type: none"> 1. The bumper is worn or the spring is damaged. 2. There is dirt in the front plate. 3. Staples cannot move freely in the magazine because of dirt or damage. 4. The O-ring on the piston is worn or dry or there is not enough lubrication. 5. The cylinder cover seal is leaking. 	<ol style="list-style-type: none"> 1. Replace the bumper or pusher spring. 2. Open the drive channel on the front plate and clean the plate. 3. Clean the magazine. 4. Replace the O-ring or pour up to 6 drops of oil into the air inlet. 5. Replace the sealing washer. <p>Have the tool serviced by a qualified service technician.</p>
The tool jams.	<ol style="list-style-type: none"> 1. Improper staples are used, or staples are damaged. 2. The driver guide is damaged or worn. 3. The magazine or safety tip is loose. 4. There is dirt in magazine. 	<p><i>See section "Clearing a jammed staple".</i></p> <ol style="list-style-type: none"> 1. Use the proper staple. 2. Inspect and replace the driver. 3. Tighten the magazine and safety tip. 4. Open and clean the magazine.
Air exhaust is being directed towards the operator.	The direction of the exhaust port requires adjustment.	Direct the exhaust port away from the operator.

Note: For further repair information, please call 1-800-689-9928.

**SCAN & LEARN
NUMÉRISER ET APPRENEZ**

Shop smarter on your smartphone
Facilitez vos achats avec votre
téléphone intelligent

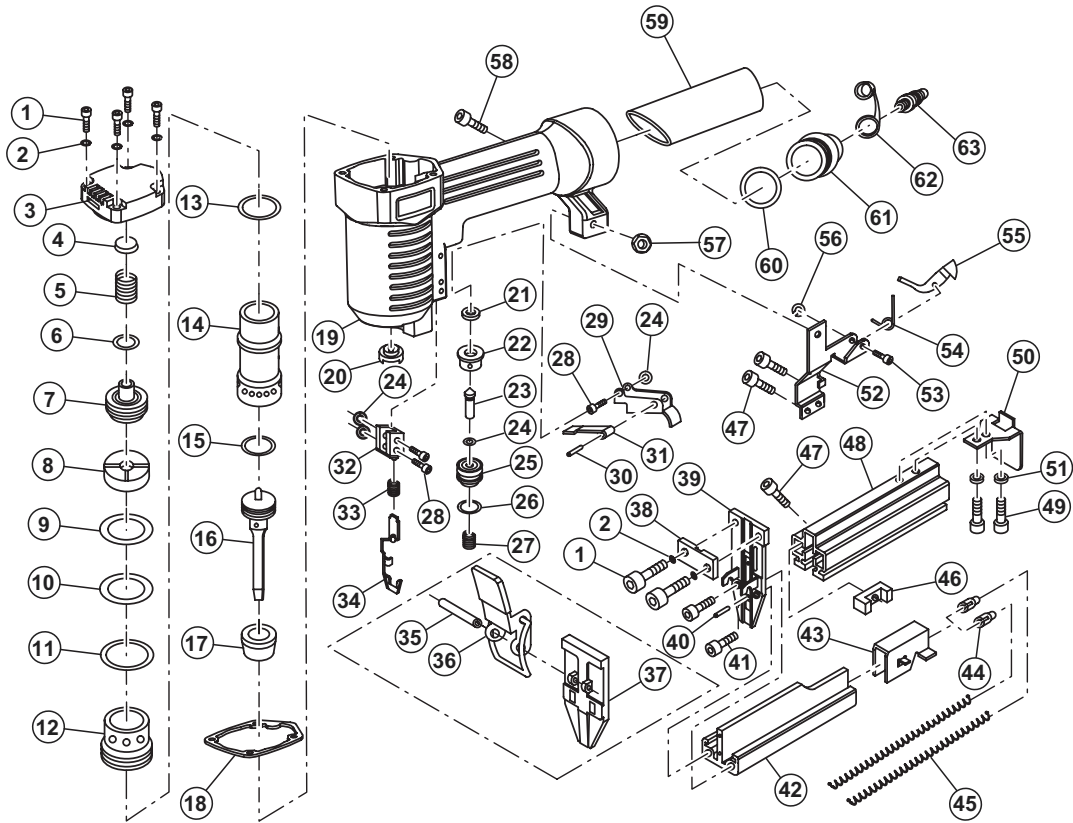
Scan here to learn about air tools and
compressors.

Balayez ici pour en savoir plus sur les
compresseurs et les outils pneumatiques.

Get the free app at
Obtenez l'application gratuite sur
canadiantire.ca/mobileapp



EXPLODED VIEW



MC-8132-09

Mastercraft

AIR-POWERED STAPLER 058-8132-2

No.	Description	Qty.	No.	Description	Qty.
1	Bolt M5 X 20	6	27	Spring	1
2	Spring washer	6	28	Trigger pin	3
3	Cylinder cover	1	29	Trigger	1
4	Seal washer	1	30	Pin 2.5 X 16	1
5	Compressed spring	1	31	Trigger plate	1
6	O-ring 13.7 X 2.4	1	32	WCE guide	1
7	Head valve	1	33	Spring	1
8	Washer	1	34	Safety yoke	1
9	O-ring 24.8 X 3.5	1	35	Pin 3 X 16	1
10	O-ring 31.2 X 2.5	1	36	Quick release handle	1
11	O-ring 41.7 X 3	1	37	Driver guide cover	1
12	Collar	1	38	Spacer	1
13	O-ring 26.2 X 2.4	1	39	Driver guide	1
14	Cylinder	1	40	Pin 1.5 X 10	1
15	O-ring 21 X 3.0	1	41	Bolt M4 X 14	2
16	Main piston	1	42	Fixed magazine	1
17	Bumper	1	43	Pusher	1
18	Rubber washer	1	44	Pusher pipe	2
19	Gun body	1	45	Compressed spring	2
20	Rubber washer	1	46	Fixed block	1
21	Rectangle washer 12.9 X 7.0 X 1.8	1	47	Bolt M4 X 6	3
22	Switch valve seat	1	48	Movable magazine	1
23	Switch valve stem	1	49	Bolt M4 X 5	2
24	O-ring 1.7 X 2.0	4	50	Fixed seat	1
25	Trigger valve guide	1	51	Washer	2
26	O-ring 11.2 X 2.0	1	52	Support seat	1

27

PARTS LIST

No.	Description	Qty.	No.	Description	Qty.
53	Pin	1	59	Rubber handle case	1
54	Spring	1	60	O-ring 36.3 X 3.55	1
55	Fixed lever	1	61	End cap	1
56	Snap washer	1	62	Air plug case	1
57	Nut M4	1	63	Air inlet plug	1
58	Bolt M4 X 20	1			

If any parts are missing or damaged, or if you have any questions, please call 1-800-689-9928.



AIR-POWERED STAPLER 058-8132-2

Mastercraft® limited warranty



This Mastercraft® product is guaranteed for a period of 3 years from the date of original retail purchase against defects in workmanship and materials, except for the following component:

Component A: Accessories, which are guaranteed for a period of 1-year from the date of original retail purchase against defects in workmanship and materials.

Subject to the conditions and limitations described below, this product, if returned to us with **proof of purchase** within the stated warranty period and if covered under this warranty, will be repaired or replaced (with the same model, or one of equal value or specification), at our option. We will bear the cost of any repair or replacement and any costs of labor relating thereto.

WARRANTY

These warranties are subject to the following conditions and limitations:

- a. A bill of sale verifying the purchase and purchase date must be provided.
- b. This warranty will not apply to any product or part thereof which is worn or broken or which has become inoperative due to abuse, misuse, accidental damage, neglect, or lack of proper installation, operation, or maintenance (as outlined in the applicable instruction manual or operating instructions), or which is being used for industrial, professional, commercial, or rental purposes.
- c. This warranty will not apply to normal wear and tear or to expendable parts or accessories that may be supplied with the product which are expected to become inoperative or unusable after a reasonable period of use.
- d. This warranty will not apply to routine maintenance and consumable items such as, but not limited to, fuel, lubricants, vacuum bags, blades, belts, sandpaper, bits, fluids, tune-ups, or adjustments.
- e. This warranty will not apply where damage is caused by repairs made or attempted by others (i.e., persons not authorized by the manufacturer).
- f. This warranty will not apply to any product that was sold to the original purchaser as a reconditioned or refurbished product (unless otherwise specified in writing).

- g. This warranty will not apply to any product or part thereof if any part from another manufacturer is installed therein or any repairs or alterations have been made or attempted by unauthorized persons.
- h. This warranty will not apply to normal deterioration of the exterior finish, such as, but not limited to, scratches, dents, paint chips, or to any corrosion or discoloring by heat, or abrasives and chemical cleaners.
- i. This warranty will not apply to component parts sold by and identified as the product of another company, which shall be covered under the product manufacturer's warranty, if any.

Additional limitations

This warranty applies only to the original purchaser and may not be transferred. Neither the retailer nor the manufacturer shall be liable for any other expense, loss or damage, including, without limitation, any indirect, incidental, consequential, or exemplary damages arising in connection with the sale, use, or inability to use this product.

Notice to consumer

This warranty gives you specific legal rights, and you may have other rights, which may vary from province to province. The provisions contained in this warranty are not intended to limit, modify, take away from, disclaim, or exclude any statutory warranties set forth in any applicable provincial or federal legislation.