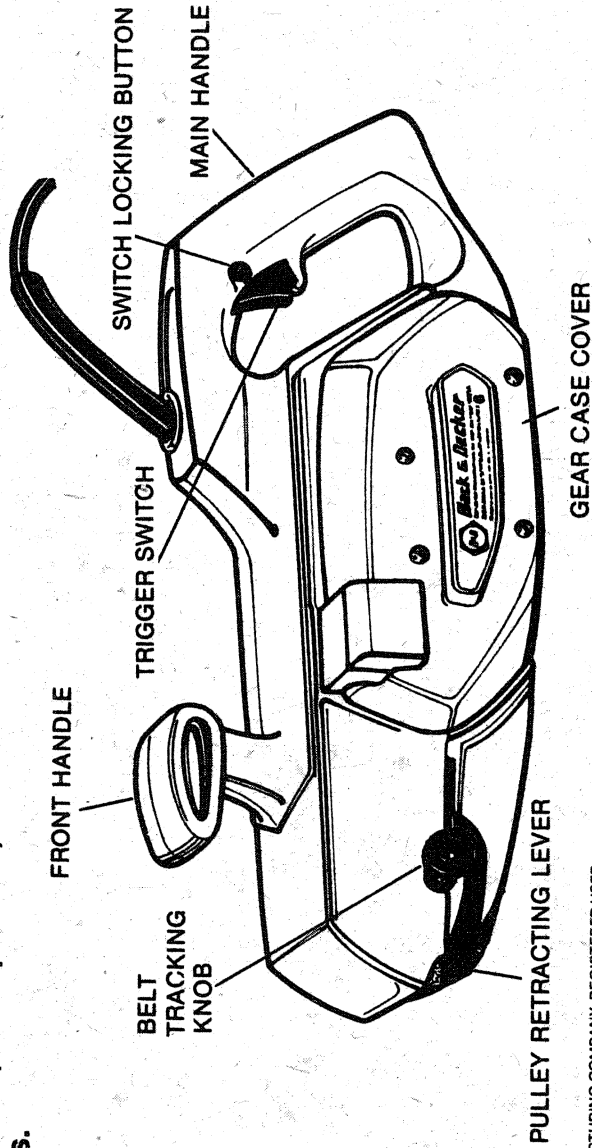




Black & Decker*

OWNER'S MANUAL

BELT SIZE: 76mm x 610mm (3" x 24")
BELT SPEED: 366m (1200 ft.) per Minute
SANDING SURFACE: 89cm² (13.8 Sq. Inches)
120 Volts A.C. 5.2 Amps.



*TRADEMARK OF THE BLACK & DECKER MANUFACTURING COMPANY. REGISTERED USER
BLACK & DECKER CANADA INC., BROCKVILLE, ONTARIO. PRODUCT MADE IN CANADA

No. 7450 Belt Sander

SAFETY RULES FOR POWER TOOLS

1. **Know Your Power Tool** — Read owner's manual carefully. Learn its applications and limitations as well as the specific potential hazards peculiar to this tool.
2. **Ground All Tools** — **Unless Double-Insulated.** If tool is equipped with three-prong plug, it should be plugged into a three-hole electrical receptacle. If adapter is used to accommodate two-prong receptacle, the adapter wire must be attached to a known ground. Never remove third prong.
3. **Keep Work Area Clean.** Cluttered areas and benches invite accidents.
4. **Avoid Dangerous Environment.** Don't expose power tools to rain. Don't use power tool in damp or wet locations. And keep work area well lit.
5. **Keep Children Away.** All visitors should be kept safe distance from work area.
6. **Store Idle Tools.** When not in use, tools should be stored in dry, high or locked-up place — out of reach of children.
7. **Don't Force Tool.** It will do a better job and safer at the rate for which it was designed.
8. **Use Right Tool.** Don't force small tool or attachment to do the job of a heavy duty tool.
9. **Wear Proper Apparel.** No loose clothing or jewelry to get caught in moving parts. Rubber gloves and footwear are recommended when working outdoors.
10. **Use Safety Glasses** with most tools. Also face or dust mask if cutting operation is dusty.
11. **Don't Abuse Cord.** Never carry tool by cord or yank it to disconnect from receptacle. Keep cord from heat, oil and sharp edges.
12. **Secure Work.** Use clamps or a vise to hold work. It's safer than using your hand and it free both hands to operate tool.
13. **Don't Overreach.** Keep proper footing and balance at all times.
14. **Maintain Tools With Care.** Keep tools sharp at all times, and clean for best and safest performance. Follow instructions for lubricating and changing accessories.

15. **Disconnect Tools.** When not in use, before servicing, when changing accessories such as blades, bits, cutters, etc.
16. **Remove Adjusting Keys and Wrenches.** Form habit of checking to see that keys and adjusting wrenches are removed from tool before turning it on.
17. **Avoid Accidental Starting.** Don't carry plugged-in tool with finger on switch. Be sure switch is off when plugging in.
18. **Outdoor Use Extension Cords.** When tool is used outdoors, use only extension cords suitable for use outdoors and so marked.
19. **Do Not Operate** portable electric tools in gaseous or explosive atmospheres. Motors in these tools normally spark, and the sparks might ignite fumes.

SAFETY WITH BELT SANDERS

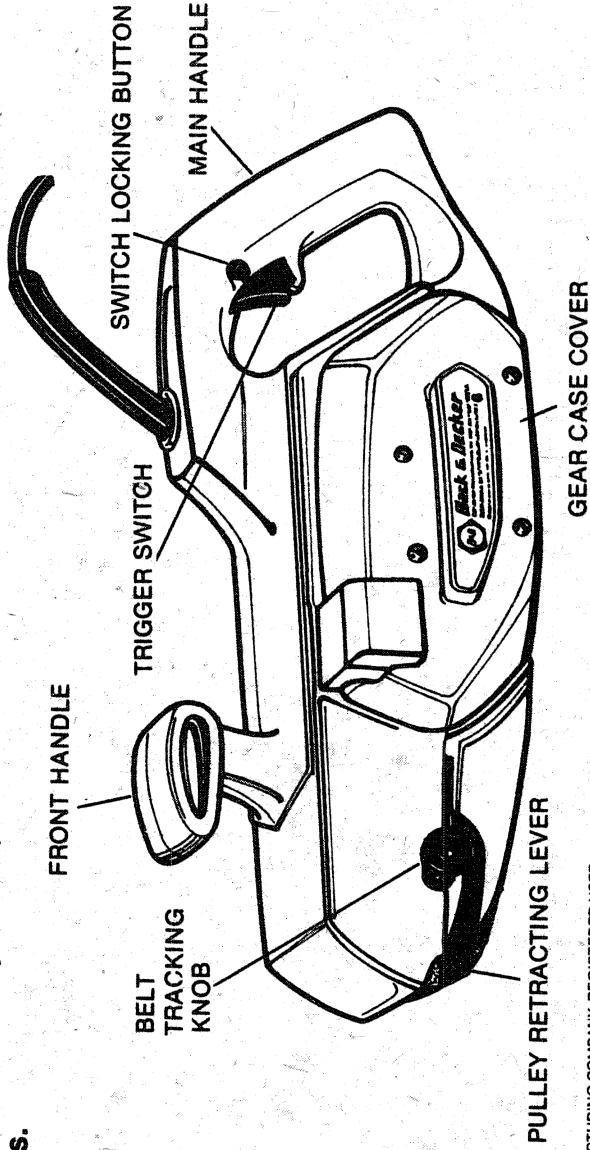
1. Before changing belts, or at any time the tool is not actually being used, be sure that the trigger switch is in the "OFF" position and that the cable is unplugged from the power supply.
2. Before plugging in the cable, be sure that the trigger switch is in the "OFF" position.
3. When starting or stopping the Sander hold the tool off of the work surface to prevent it from "running away" or gouging.
4. Use correct size belts — 76mm x 610mm (3" x24").



Black & Decker*

OWNER'S MANUAL

BELT SIZE: 76mm x 610mm (3" x 24")
BELT SPEED: 366m (1200 ft.) per Minute
SANDING SURFACE: 89cm² (13.8 Sq. Inches)
120 Volts A.C. 5.2 Amps.



*TRADEMARK OF THE BLACK & DECKER MANUFACTURING COMPANY. REGISTERED USER
BLACK & DECKER CANADA INC., BROCKVILLE, ONTARIO. PRODUCT MADE IN CANADA

No. 7450 Belt Sander

SAFETY RULES FOR POWER TOOLS

1. **Know Your Power Tool** — Read owner's manual carefully. Learn its applications and limitations as well as the specific potential hazards peculiar to this tool.
2. **Ground All Tools — Unless Double-Insulated.** If tool is equipped with three-prong plug, it should be plugged into a three-hole electrical receptacle. If adapter is used to accommodate two-prong receptacle, the adapter wire must be attached to a known ground. Never remove third prong.
3. **Keep Work Area Clean.** Cluttered areas and benches invite accidents.
4. **Avoid Dangerous Environment.** Don't expose power tools to rain. Don't use power tool in damp or wet locations. And keep work area well lit.
5. **Keep Children Away.** All visitors should be kept safe distance from work area.
6. **Store Idle Tools.** When not in use, tools should be stored in dry, high or locked-up place — out of reach of children.
7. **Don't Force Tool.** It will do a better job and safer at the rate for which it was designed.
8. **Use Right Tool.** Don't force small tool or attachment to do the job of a heavy duty tool.
9. **Wear Proper Apparel.** No loose clothing or jewelry to get caught in moving parts. Rubber gloves and footwear are recommended when working outdoors.
10. **Use Safety Glasses with most tools.** Also face or dust mask if cutting operation is dusty.
11. **Don't Abuse Cord.** Never carry tool by cord or yank it to disconnect from receptacle. Keep cord from heat, oil and sharp edges.
12. **Secure Work.** Use clamps or a vise to hold work. It's safer than using your hand and it free both hands to operate tool.
13. **Don't Overtreach.** Keep proper footing and balance at all times.
14. **Maintain Tools With Care.** Keep tools sharp at all times, and clean for best and safest performance. Follow instructions for lubricating and changing accessories.

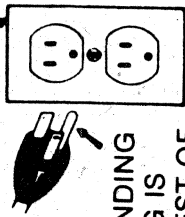
15. **Disconnect Tools.** When not in use, before servicing, when changing accessories such as blades, bits, cutters, etc.
16. **Remove Adjusting Keys and Wrenches.** Form habit of checking to see that keys and adjusting wrenches are removed from tool before turning it on.
17. **Avoid Accidental Starting.** Don't carry plugged-in tool with finger on switch. Be sure switch is off when plugging in.
18. **Outdoor Use Extension Cords.** When tool is used outdoors, use only extension cords suitable for use outdoors and so marked.
19. **Do Not Operate portable electric tools in gaseous or explosive atmospheres.** Motors in these tools normally spark, and the sparks might ignite fumes.

SAFETY WITH BELT SANDERS

1. Before changing belts, or at any time the tool is not actually being used, be sure that the trigger switch is in the "OFF" position and that the cable is unplugged from the power supply.
2. Before plugging in the cable, be sure that the trigger switch is in the "OFF" position.
3. When starting or stopping the Sander hold the tool off of the work surface to prevent it from "running away" or gouging.
4. Use correct size belts — 76mm x 610mm (3" x24").

GROUNDING

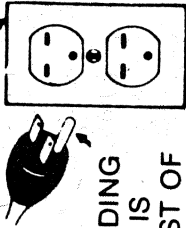
GROUNDING OUTLET BOX



GROUNDING PRONG IS LONGEST OF THE 3 PRONGS

A

GROUNDING OUTLET BOX



GROUNDING PRONG IS LONGEST OF THE 3 PRONGS

B

If your unit requires less than 150 volts it has a plug that looks like Fig. "A". It will fit directly into the proper type of 3-wire grounding receptacle. The unit is then grounded automatically each time it is plugged in.

If the unit requires from 150 to 250 volts, it has a plug like Fig. "B". No adapter is available and the plug must be used in the proper 3-wire grounding receptacle.

We recommend that you NEVER disassemble the tool or try to do any rewiring in the electrical system. Any such repairs should be performed only by B&D Service Centres or other qualified service organizations. Should you be determined to make a repair yourself, remember that the green colored wire is the "grounding" wire. Never connect this green wire to a "live" terminal. If you replace the plug on the power cord, be sure to connect the green wire only to the grounding (longest) prong on a 3-prong plug.

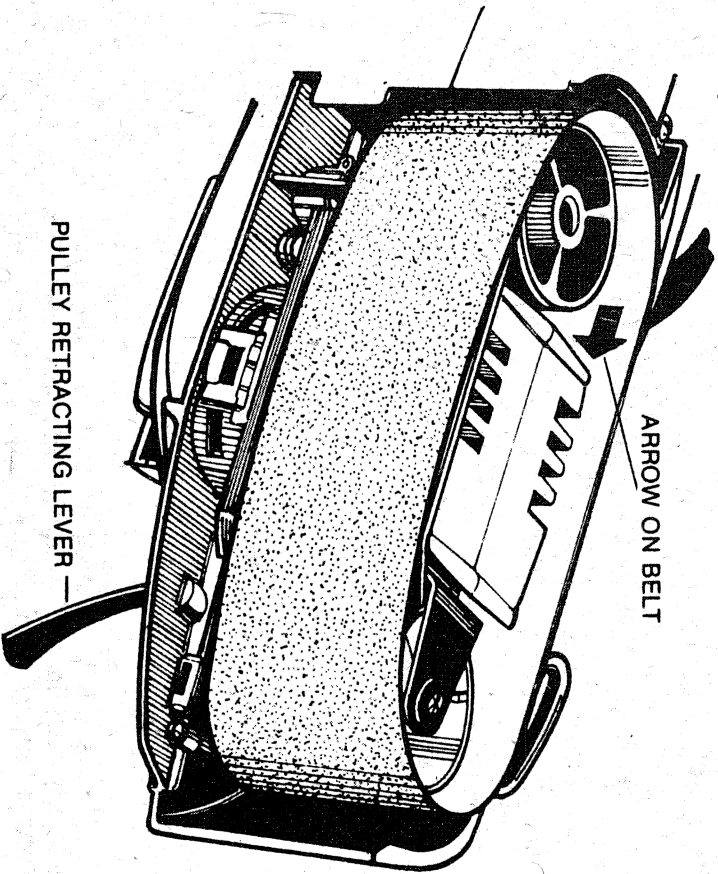
TRIGGER SWITCH

PRACTICE THE FOLLOWING BEFORE PLUGGING TOOL INTO POWER SUPPLY:

1. Pulling the Trigger Switch turns the motor "ON" and puts the belt in motion. Releasing the Trigger turns the motor "OFF" and stops the belt.
2. To lock the motor "ON" for continuous sanding—
 - (a) Pull and hold back the Trigger.
 - (b) Depress and hold in the Locking Button.
 - (c) Release Trigger and release Locking Button and tool will stay "ON".
 - (d) To turn tool "OFF", pull and release Trigger.
3. Always lift the Sander so that the belt is free from contact with any material before turning the tool "ON". This will prevent a sudden forward "jump" of the tool as the belt begins to move.

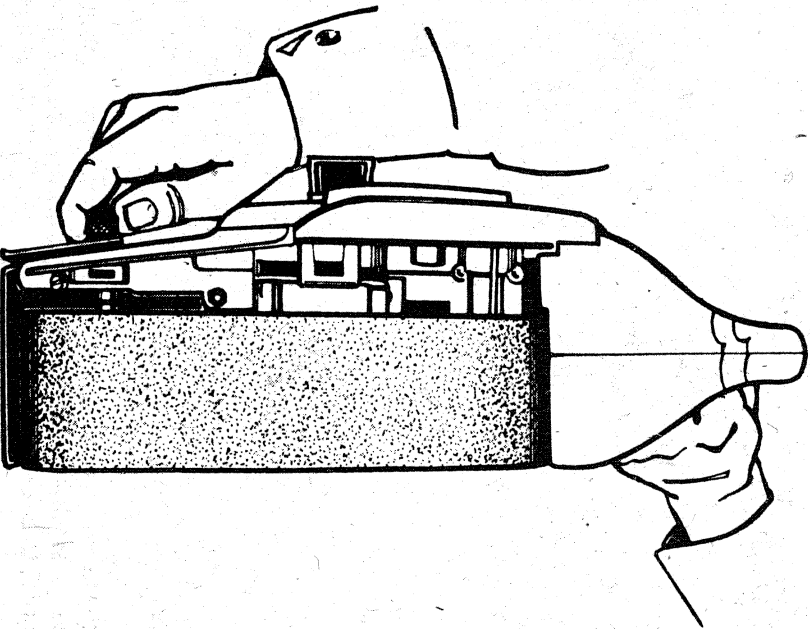
CHANGING BELTS

1. UNPLUG TOOL FROM POWER SUPPLY.
2. Pull out the Pulley Retracting Level which releases the tension on the belt.
3. The worn belt can then be slipped off the pulleys and be replaced by a new one. See figure below. Be sure that the arrow stamped on the belt points in the direction around the pulleys as shown.
4. The outer edge of the belt should be lined up flush with the outer edge of the shoe. Push Pulley Retracting Lever back in close to the tool.
5. Adjust for proper belt tracking, as follows:



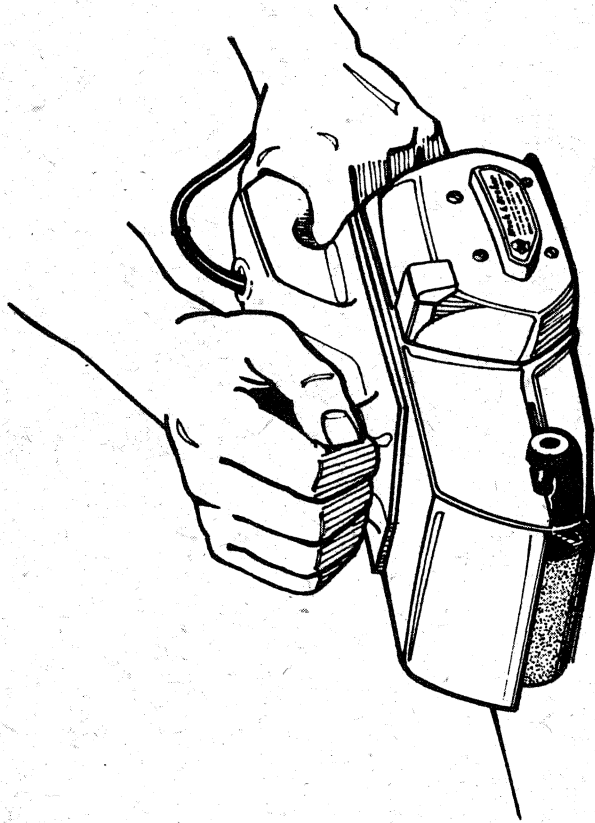
BELT TRACKING ADJUSTMENT

Before sanding with a new belt, plug in the tool and hold it in the position shown in figure below. Depress the switch and note whether the belt "tracks" evenly, keeping its outer edge flush with the outer edge of the shoe. If the belt starts to deviate from a straight track, rotate the Tracking Adjustment Knob slightly forward or backwards until belt tracks evenly. When sanding, occasionally check to see if belt is tracking properly and adjust when necessary.



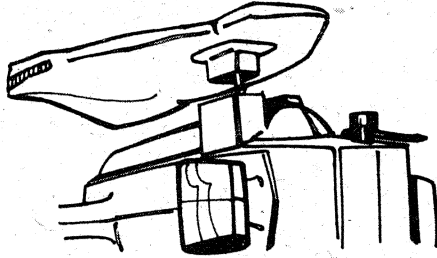
OPERATION

Start the tool with the belt off of the work. Hold both handles firmly and begin your initial sanding stroke as the tool contacts the work. Keep the Sander moving to ensure even sanding, and, in most cases, the weight of the tool provides sufficient pressure for proper sanding. Lift the Sander from the work before turning tool "OFF" to prevent gouging.



To equip the Belt Sander for dustless sanding, order Cat. No. 1046-1 Dust Collector and accessory set which includes a Dust Bag assembly, and instructions for mounting.

TO EMPTY THE DUST BAG, remove it from the Sander and unzip. Tap bag gently against your hand as you hold it over a receptacle.



DUST COLLECTOR

Your 7450 Belt Sander has been equipped with a dust outlet on its gear case cover, and a deflector cap (shipped taped to this outlet). To make operational, remove the tape, insert the deflector into the outlet to direct dust down and away from the sander.

EXTENSION CORD

When using the tool at a considerable distance from power source, a 3-conductor, grounding-type extension cord of adequate size must be used for safety, and to prevent loss of power and over-heating. Use the table below to determine minimum wire size required.

Before using cords, inspect them for loose or exposed wires and damaged insulation. Make any needed repairs or replacement before using your power tool.

Extension Cord Length	Up to 25 Ft. 50 Ft. 75 Ft.			
	25 Ft. to 50 Ft.	50 Ft. to 75 Ft.	75 Ft. to 100 Ft.	100 Ft. to 150 Ft.
Minimum 120 Volt Tools	18	16	14	12
Wire Size* 220 Volt Tools	18	18	16	14

* American Wire Gauge

BELT SANDER CARE & CLEANING

All bearings in your Belt Sander are of the sealed-lubricant type and do not require any relubrication.

Frequent cleaning of all accessible areas in and around the housing, with a vacuum cleaner nozzle, will keep your tool running cooler and more efficiently.

If you notice the tool motor running slower than usual or losing power, or, you notice heavy sparking through the air intake slots, immediately take or send the tool to your nearest B&D Service Centre for possible motor-brush replacement and a thorough cleaning and inspection.

76mm x 610mm (3" x 24") SANDING BELTS

These Belts are precision-made, cut and bonded for accurate fit.

Use on Black & Decker and other make Belt Sanders using 76mm x 610mm (3" x 24") belt. The following belts have an aluminum oxide abrasive coating, "open coat" for removing lacquer, paint or varnish.

TWO BELTS PER PACKAGE

Cat. No.	Size	Grit
74-520	76mm x 610mm (3" x 24")	36 extra coarse
74-521	76mm x 610mm (3" x 24")	60 coarse
74-522	76mm x 610mm (3" x 24")	80 medium
74-523	76mm x 610mm (3" x 24")	100 fine

CAUTION: Use only 76mm x 610mm (3" x 24") belts with your Belt Sander. The use of any other type of accessory might be hazardous.

MAINTENANCE

IF THE TOOL DOES NOT RUN

First check your electric outlet by plugging in another tool or lamp. If either of these doesn't work, check for blown fuses. If current is present, check plugs and sockets for tight connections. If the tool still won't run, take or send it to a Balck & Decker Service Centre for checking and repair. Do not attempt any major repair on your own.

CLEANING & LUBRICATION

Use only a damp cloth to clean the tool. Many household cleaners contain chemicals which could seriously damage the plastic. Also, do not use gasoline, turpentine, lacquer or paint thinner, dry cleaning fluids or similar products. Never let any liquid get inside the tool; never immerse any part of the tool into a liquid.

Self lubricating bearings are used in the tool and periodic relubrication is not required. However, it is recommended that, once a year, you take or send the tool to a Black & Decker Service Centre for a thorough cleaning, inspection and lubrication of the gear case. Service Centre addresses are shown on the guarantee card packed with your tool.

IMPORTANT

To assure product **Safety and Reliability**, repairs, maintenance and adjustment (including brush inspection and replacement) should be performed by Black & Decker Service Centres or other qualified service organizations, always using Black & Decker replacement parts. When servicing Double-Insulated Tools, it is extremely important that **only identical replacement parts be used and that reassembly of tool is identical to the original assembly.**

RAPID EXCHANGE HOME USE WARRANTY

Black & Decker warrants this product for one year against defect in material and workmanship in normal residential use. This warranty does not cover damage resulting from negligent handling, misuse or lack of reasonable care. Please return the complete unit, transporting prepaid, to the seller for free replacement if the seller is a participating retailer in the Black & Decker rapid exchange program. (Proof of purchase may be required by the seller.) The unit may also be returned to a Black & Decker service centre or authorized service station for free replacement or repair at our option. This warranty does not apply to accessories.

In returning the tool for replacement, all original standard equipment must also be returned (for example, chuck, chuck key, auxiliary handles, circular saw blades). Expendable original equipment such as sanding sheets, belts and discs and jig saw blades need not be returned. For kits and assortments only the basic power tool will be replaced.

The sole remedy for breach of this warranty and the sole obligation of Black & Decker hereunder is the repair or replacement of the defective product at Black & Decker's option. Black & Decker shall have no liability whatsoever at any time for any personal injury or property damages or for any special, indirect or consequential damages of any kind howsoever arising.

This warranty is strictly limited to its terms and is in lieu of any kind and all other warranties and conditions, written or oral, whether express or implied.

Note: This warranty and related provisions set out above may not be applicable in certain provinces.

Black & Decker Canada, Inc., Brockville, Ontario

BLACK & DECKER SALES AND SERVICE CENTRES

ST. JOHN'S, N.F.L.D.:	48 Pippy Place, P.O. Box 13305, Station "A", A1B 4B7
HALIFAX, N.S.:	3695 Barrington St., Barrington Comm. Ctre, B3K 2Y3
QUEBEC, P.Q.:	969 Route de l'Église Ste-Foy, Quebec G1V 3V4
MONTREAL, QUE.:	7865 St. Lawrence Blvd., H2R 1X1
LONGUEUIL, QUE.:	1562 Chemin de Chambly, J4J 3X5
LAVAL, QUE.:	1930 St. Martin Blvd., H7S 1M9
POINTE CLAIRE, QUE.:	3669 St. John's Rd., Blue Haven Shopping Ctre, H9G 1X2
OTTAWA, ONT.:	285 Richmond Road, K1Z 6X3
BROCKVILLE, ONT.:	100 Central Avenue, K6V 5W6
SCARBOROUGH, ONT.:	731 Kennedy Rd., M1K 2C6
DOWNSVIEW, ONT.:	592 Champagne Drive, M3J 2T9
TORONTO, ONT.:	1180 The Queensway, M8Z 1R5
HAMILTON, ONT.:	180 Parkdale Avenue N, L8H 5X2
KITCHENER, ONT.:	671 Belmont Ave. W., N2M 1N8
THUNDER BAY, ONT.:	1090 Memorial Ave., P7B 4A3
LONDON, ONT.:	920 Commissioners Rd. E, N5Z 3J1
SUDBURY, ONT.:	1496 Fairburn Avenue, P3A 1N7
WINNIPEG, MAN.:	934 St. James Street, R3H 0K3
REGINA, SASK.:	1359 Broad St., S4R 7V1
SASKATOON, SASK.:	No. 4-1622 Ontario Avenue, S7K 1S8
CALGARY, ALTA.:	337-58th Ave. S.E., T2P 0P3
EDMONTON, ALTA.:	11440 Avenue 142nd Street, T5M 1V1
VANCOUVER, B.C.:	24 West Second Avenue, V5Y 1B5

Centre de service B&D pour en faire le nettoyage, la vérification et la lubrification du carter des engrenages. Les adresses des Centres de service Black & Decker sont reproduits sur le certificat de garantie qui accompagne l'outil.

IMPORTANT

Pour plus de **sécurité** et de **fiabilité**, ne confier l'entretien, la réparation et la mise au point de cet outil (y compris l'inspection et le remplacement des balais) qu'à un Centre de service Black & Decker ou à un atelier d'entretien accrédité, à partir des seules pièces de rechange Black & Decker. A l'entretien des outils doublement isolés, il est de première importance de **d'utiliser que des pièces de rechange d'origine et que leur mise en place soit exactement conforme au montage d'origine.**

GARANTIE D'ECHANGE RAPIDE-PRODUITS D'USAGE DOMESTIQUE

Black & Decker garantit ce produit, si employé en usage domestique normal, pour un an contre les vices de matière et de fabrication. Cette garantie ne couvre pas les avaries attribuables à une manoeuvre négligente, au mésusage ou à un manque de soin raisonnable. Veuillez retourner l'outil complet au vendeur, port payé, pour obtenir son remplacement gratuit si le vendeur est un détaillant participant au programme d'échange rapide de Black & Decker. (Le vendeur pourra exiger une preuve d'achat.) Par contre, vous pourriez retourner le produit à un centre de service Black & Decker ou à un atelier d'entretien accrédité pour son remplacement gratuit ou sa réparation, à notre choix. Cette garantie ne couvre pas les accessoires.

Au retour de l'outil en vue de son remplacement, celui-ci doit être accompagné de toutes ses pièces auxiliaires d'origine (P. ex., mandrins, clés de mandrins, poignées secondaires, lames de scies circulaires). Il n'est pas nécessaire de retourner les accessoires non-recupérables — feuilles, courroies ou disques de papier abrasif et lames de scies sauteuses, etc. Dans le cas de nécessaires ou d'outils accompagnés d'accessoires en trousse, seul l'outil principal sera remplacé.

Le seul recours pour infraction de la présente garantie et la seule obligation qu'assume Black & Decker en vertu de la présente se limitent à la réparation ou au remplacement du produit défectueux, au choix de Black & Decker. Black & Decker n'assume aucune responsabilité de quelque nature que ce soit et en tout temps, pour blessures corporelles, dommages matériels, ou pour tous autres dommages indirects ou accessoires, quelle qu'en soit la cause.

La présente garantie est strictement limitée aux termes et conditions explicites et tient lieu de toutes autre garanties ou conditions, écrites ou verbales, expressees ou implicites.

Note: La présente garantie et les dispositions s'y rapportant explicites ci-avant seront peut-être pas en force et effet dans certaines provinces.

CENTRES DE VENTE ET DE SERVICE BLACK & DECKER

ST. JOHN'S, NFLD.: 48 Pippy Pl., P.O. Box 13305, Station "A", A1B 4B7
HALIFAX, N.-E.: 3695 rue Barrington, Barrington Comm. Ctre.,
B3K 2Y3

QUEBEC, P.O.: 969 Route de l'Eglise Ste-Foy, Quebec, G1V 3V4
MONTREAL, QUE.: 7865 boul. St-Laurent, H2R 1X1
LONGUEUIL, QUE.: 1562 Chemin de Chambly, J4J 3X5
VILLE DE LAVAL, QUE.: 1930 boul. St-Martin, H7S 1M9
DOLLARD DES ORMEAUX, QUE.: Centre d'achats Blue Haven, 3669 Chemin St-Jean,
H9G 1X2

OTTAWA, ONT.: 285 Chemin Richmond, K1Z 6X3
BROCKVILLE, ONT.: 100 Avenue Central, K6V 5W6
SCARBOROUGH, ONT.: 731 Chemin Kennedy, M1K 2C6
DOWNSVIEW, ONT.: 592 Avenue Champagne, M3J 2T9
TORONTO, ONT.: 1180, The Queensway, M8Z 1R5
HAMILTON, ONT.: 180 Avenue Parkdale Nord, L8H 5X2
KITCHENER, ONT.: 671 Avenue Belmont Ouest, N2M 1N8
THUNDER BAY, ONT.: 1090 Memorial Ave., P7B 4A3
LONDON, ONT.: 920 Commissioners Rd. E., N5Z 3J1
SUDBURY, ONT.: 1496 Avenue Fairburn, P3A 1N7
WINNIPEG, MAN.: 934 rue St. James, R3H 0K3
REGINA, SASK.: 1359 Broad St., S4R 7V1
SASKATOON, SASK.: N° 4-1622 Avenue Ontario, S7K 1S8
CALGARY, ALB.: 337-58e S.E., T2H 0P3
EDMONTON, ALB.: 11440 Avenue 142e, rue, T5M 1V1
VANCOUVER, C.B.: 24 Ouest, Deuxième Avenue, V6Y 1B5

Black & Decker Canada, Inc., Brockville, Ontario

CORDONS DE RALLONGE

Lorsque l'outil doit servir à une certaine distance de la prise de courant, ne lui raccorder qu'un cordon de rallonge à trois conducteurs de calibre approprié, par mesure de sécurité et afin de prévenir les chutes de tension et le surchauffage. Le tableau ci-dessous vous indiquera le calibre approprié du cordon de rallonge. Avant de vous en servir, en vérifier la condition (fils détachés ou nus, isolement défectueux). Faire les réparations indiquées ou remplacer le cordon selon le cas.

Longueur du cordon de rallonge				
	jusqu'à	de 25 à	de 50 à	de 75 à
	25 pi.	50 pi.	75 pi.	150 pi.
Jauge* min. Outils 120 v.	18	16	14	12
des fils Outils 220 v.	18	18	16	14
*Jauge américaine des fils				

ENTRETIEN ET NETTOYAGE

La ponceuse à courroie roule sur les coussinets à billes scellés autolubrifiants qui n'exigent aucune lubrification périodique.

Le nettoyage, à intervalles rapprochés, des surfaces accessibles du boîtier de l'outil à l'aide d'un aspirateur contribuera au meilleur fonctionnement de l'outil et à une réduction du surchauffage.

Si vous constatez un ralentissement du tours/minute ou une perte de puissance de l'outil ou une abondance d'étincelles par les fentes d'aération, le retourner immédiatement au Centre de service B&D le plus près pour faire la vérification des balais ainsi qu'un nettoyage complet.

COURROIES A PONCER 76mm x 610mm (3" x 24")

De fabrication soignée, taillées et scellées en vue d'un ajustage précis, ces bandes oint destinées aux ponceuses B&D et d'autres

marques qui utilisent des courroies 76mm x 610mm (3" x 24"). Les courroies ci-après sont enduites de grains d'oxyde d'aluminium non serrés pour enlever la laque, la peinture ou le vernis.

DEUX COURROIES PAR PAQUET

N° de cat.	Format	Grain
74-520	76mm x 610mm (3" x 24")	36—très rude
74-521	76mm x 610mm (3" x 24")	60—rude
74-522	76mm x 610mm (3" x 24")	80—moyen
74-523	76mm x 610mm (3" x 24")	100—fin

Attention: N'employer que des courroies 76mm x 610mm (3" x 24") avec la ponceuse à courroie. L'emploi de tout autre accessoire pourrait comporter des risques.

ENTRETIEN LORSQUE L'OUTIL NE FONCTIONNE PAS

Vérifier d'abord la prise de courant en lui branchant un autre outil ou une lampe. Si l'un et l'autre ne fonctionne pas, vérifier les fusibles. S'il y a du courant à la prise, vérifier les connexions de la fiche et de la prise de courant. Si l'outil ne fonctionne toujours pas, le retourner au Centre de service B&D pour en faire faire la vérification et la réparation. Ne jamais tenter vous-même ces réparations.

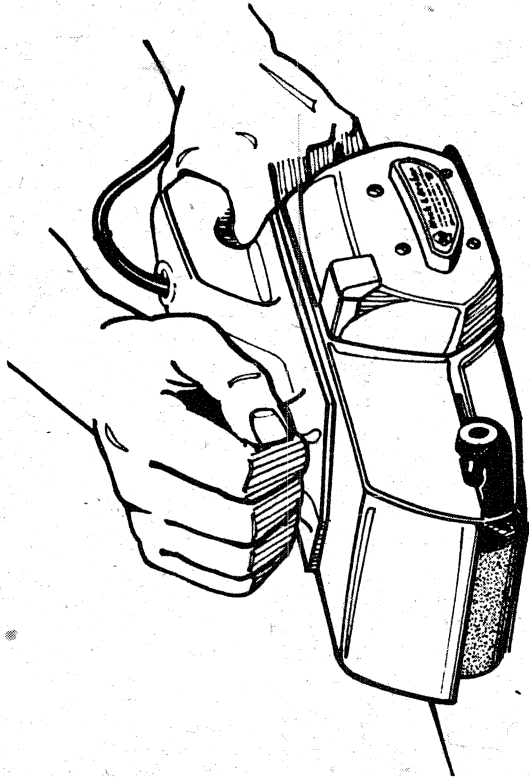
NETTOYAGE ET LUBRIFICATION

Ne nettoyer qu'à l'aide d'une chiffon doux humecté. Plusieurs détergents domestiques contiennent des agents chimiques nuisibles au plastique. Ne jamais nettoyer à la gazoline, à la térébenthine, aux dissolvants de laque et de vernis, aux solutions de nettoyage à sec ou autres produits semblables. Veiller à ce que l'eau ne pénètre pas dans le boîtier; ne jamais plonger l'outil ou l'une quelconque de ses pièces dans un liquide.

L'outil roule sur des coussinets à billes autolubrifiants. La lubrification périodique n'est donc pas nécessaire. Toutefois, nous conseillons de porter ou d'envoyer l'outil, une fois l'an, à un

CAUTIONNEMENT

pourroie éloignée de la surface à poncer, mettre l'outil en marche. Saisir fermement les deux poignées et abaisser la ponceuse en une première course. Toujours maintenir la ponceuse en contact avec la surface à poncer. Le plus souvent, le seul défaut de la ponceuse est la pression exercée pour le ponçage. Éviter la ponceuse de la surface à poncer avant de couper le ruban afin de prévenir les striations.

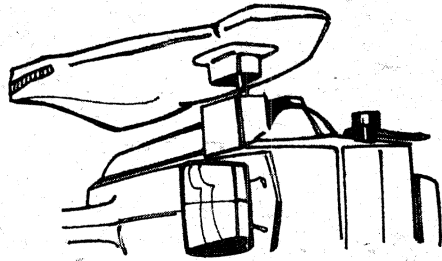


MASSE-POUSSIÈRES

Le couvercle du carter des engrenages de la ponceuse n° 7450 est percé d'une sortie d'air et d'un déflecteur (rentenu contre la sortie par un ruban gommé pour l'expédition). Pour mettre en état de marche, enlever le ruban gommé, introduire le déflecteur dans la sortie d'air pour chasser les poussières vers le plancher et les aspirer.

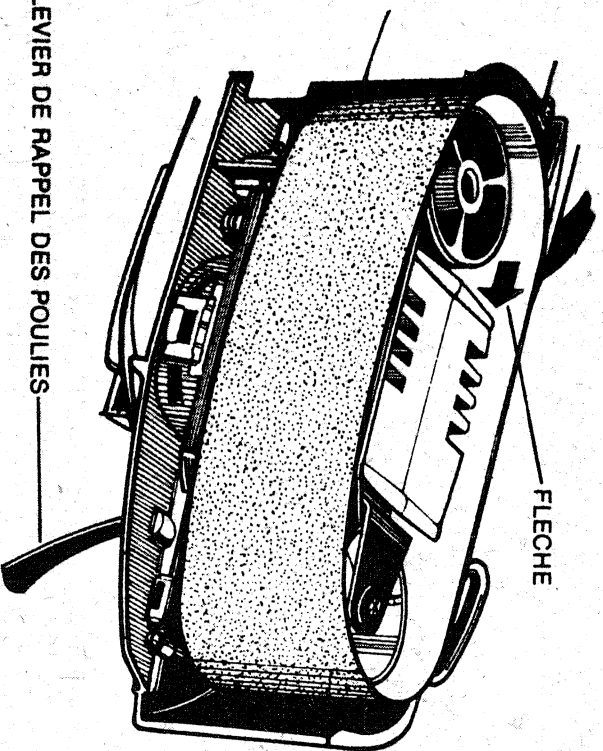
Pour transformer la ponceuse à courroie pour le ponçage sans poussières, commander le nécessaire ramasse-poussières 1046-1, composé du sac à poussières, et des indications pour le montage.

Pour vider le sac à poussières: l'enlever de la ponceuse, ouvrir la fermeture à glissière et, le tenant au-dessus d'une poubelle, le frapper doucement contre la main.



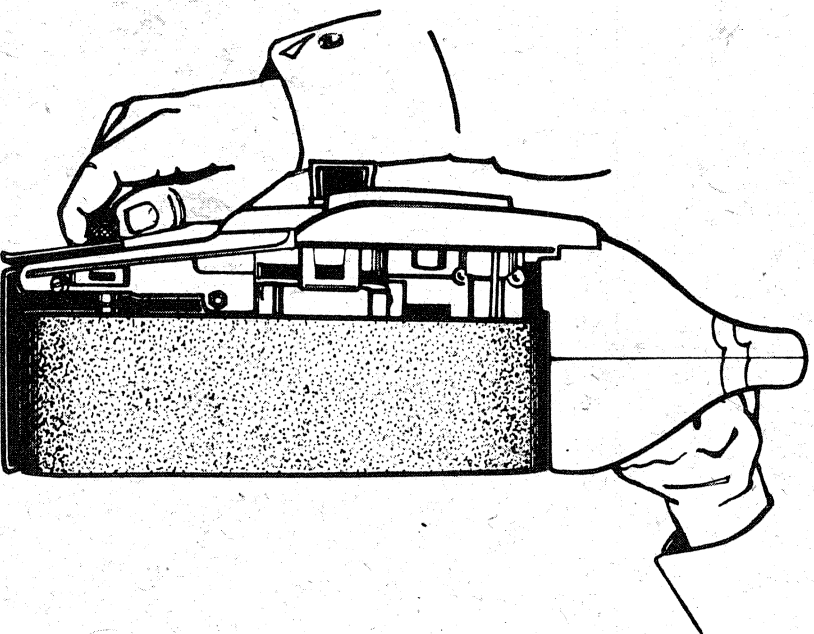
CHANGEMENT DE LA COURROIE

1. **Débrancher l'outil de la prise de courant.**
2. Tirer sur le levier de rappel des poulies pour détendre la courroie.
3. Enlever la courroie usée et lui en substituer une neuve (voir l'illustration à gauche). Vous assurer que la flèche imprimées sur la courroie pointe dans le sens de rotation des poulies, tel qu'indiqué.
4. Le bord extérieur de la courroie neuve doit être à ras avec le bord extérieur de la semelle. Pousser à fond le levier de rappel des poulies contre le boîtier de l'outil.
5. Aligner la courroie qu'indiqué ci-contre afin que sa piste de roulement soit droite.



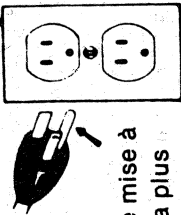
ALIGNEMENT DE LA COURROIE

Avant de poncer avec une nouvelle courroie, brancher l'outil et le placer dans la position illustrée ci-dessous. Entoncer la gâchette et vous assurer que la courroie tourne en ligne droite et qu'elle demeure en position à ras du bord extérieur de la semelle. Si la courroie déviât de cette position, tourner légèrement le bouton d'alignement vers l'avant ou vers l'arrière jusqu'à ce que courroie soit parfaitement alignée. En cours de ponçage, vérifier cet alignement de temps à autre et corriger au besoin.



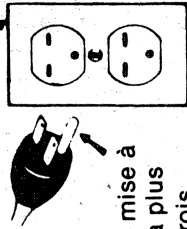
MISE A LA TERRE

PRISE DE COURANT
MISE A LA TERRE



La broche de mise à terre est la plus longue des trois

PRISE DE COURANT
MISE A LA TERRE



La broche de mise à terre est la plus longue des trois

B

orsque la tension d'alimentation est inférieure à 150 volts, l'outil est muni d'une fiche du genre illustrée à la vignette A, qui se branche aux prises de courant à trois douilles appropriées. L'outil est ainsi automatiquement mis à la terre dès qu'il est branché.

orsque la tension d'alimentation se situe entre 150 et 250 volts, l'outil est muni d'une fiche du genre illustrée à la vignette B. Il n'existe pas d'adaptateur et la fiche doit être branchée directement à une prise de courant à trois douilles mise à la terre appropriée.

Vous conseillons de ne jamais démonter l'outil ou de tenter d'en réparer le filage électrique. Ne confier ce genre de réparations qu'à un Centre de service B&D ou à un atelier d'entretien agréé. Dans l'éventualité où l'utilisateur tenterait lui-même ces réparations, se rappeler que le fil vert est le fil de raccord à la terre.

3

Ne jamais raccorder ce fil vert à une borne sous tension. Lorsque la fiche du cordon doit être remplacée, veiller à ne raccorder que ce seul fil vert à broche de mise à la terre (la plus longue) de la fiche à trois broches.

INTERRUPTEUR A GACHETTE

PRENDRE CONNAISSANCE DE LA MARCHE A SUIVRE CI-APRES AVANT DE BRANCHER L'OUTIL A UNE PRISE DE COURANT:

1. Dès qu'est enfoncée la gâchette de contact, le moteur se met en marche pour mettre la courroie en mouvement. Le moteur et la courroie s'arrêteront dès que sera relâchée la gâchette.
2. Pour bloquer la gâchette en marche pour le ponçage continu:
 - a) serrer la gâchette et la tenir enfoncée;
 - b) appuyer sur le bouton de blocage et le tenir enfoncé;
 - c) relâcher la gâchette puis le bouton de blocage, alors que l'outil restera en marche;
 - d) pour couper le courant à l'outil, serrer puis relâcher la gâchette.
3. Eloigner la ponceuse de la surface à poncer avant de la mettre en marche. Cette précaution évitera le contact brusque de la courroie avec la surface à poncer au moment où la courroie se met en mouvement.

SECURITE DE FONCTIONNEMENT DES OUTILS ELECTRIQUES

1. **Se familiariser avec l'outil.** Lire attentivement le manuel de l'usager. Apprendre à en connaître le fonctionnement et les capacités ainsi que les risques éventuels propres à ce genre d'outil.
2. **Relier à la terre tous les outils électriques, sauf les outils doublement isolés.** Lorsque l'outil est muni d'une fiche à trois broches, le brancher à une prise de courant à trois douilles. Ne jamais enlever la troisième broche.
3. **Maintenir en place et en bon ordre les dispositifs de protection.**
4. **Veiller à la propreté.** Les aires de travail et les établis encombrés provoquent les accidents.
5. **Eviter les situations dangereuses.** Ne jamais se servir d'outils électriques en lieux humides ou imbibés d'eau. Bien éclairer les aires de travail.
6. **Tenir les enfants à l'écart.** Veiller à ce que les spectateurs se tiennent à une distance convenable.
7. **Ranger les outils le travail achevé,** dans un lieu sec et élevé ou sous serrure, hors de la portée des enfants.
8. **Ne jamais forcer l'outil.** A régime normal, l'outil donnera un rendement plus sûr et plus efficace.
9. **Employer l'outil approprié.** Ne jamais exiger d'un petit outil ou accessoire le rendement d'un outil plus puissant.
10. **Porter des vêtements convenables.** Eviter les vêtements amples le jouailleries que pourraient happer les pièces en mouvement. Porter des gants et chaussures en caoutchouc pour le travail à l'extérieur.
11. **Porter des lunettes de sécurité** à l'emploi de la plupart des outils, ainsi qu'un masque respiratoire lorsque le travail produit de la poussière.
12. **Prendre soin du cordon.** Ne jamais trainer ou débrancher l'outil en tirant sur son cordon. Le protéger contre la chaleur, l'huile et les objets tranchants.

13. **Immobiliser les pièces à ouvrir,** à l'aide de brides ou d'un étai par mesure de sécurité et afin de laisser les deux mains libres pour manoeuvrer l'outil.
14. **Eviter les efforts inutiles.** Toujours garder l'équilibre, les deux pieds bien à terre.
15. **Maintenir les outils en bon ordre,** propres et bien affilés, pour un meilleur rendement. Suivre les directives pour la lubrification et le remplacement des pièces accessoires.
16. **Débrancher l'outil le travail achevé,** à l'entretien ou au changement des pièces accessoires (lames, forets, tranchants, etc.)
17. **Enlever les clés de calage et de réglage.** Prendre l'habitude d'enlever ces clés avant de mettre l'outil en marche.
18. **Eviter les démarrages involontaires.** Ne jamais transporter l'outil branché à une prise de courant le doigt sur l'interrupteur.

CONSEILS DE SECURITE PROPRES A LA PONCEUSE A COURROIE

1. Veiller à ce que l'interrupteur soit à "OFF" et à ce que le cordon soit débranché de la prise de courant avant de changer la courroie et lorsque l'outil ne sert pas.
2. Avant de brancher le cordon, voir à ce que l'interrupteur soit à "OFF".
3. Eloigner le ponceuse de la surface à poncer au moment de mettre la ponceuse en marche ou de l'arrêter afin de prévenir qu'elle "s'échappe" pour ainsi gouger la surface de la pièce à ouvrir.
4. N'utiliser que des courroies de format recommandé: 76mm x 610mm (3" x 24").



Black & Decker*

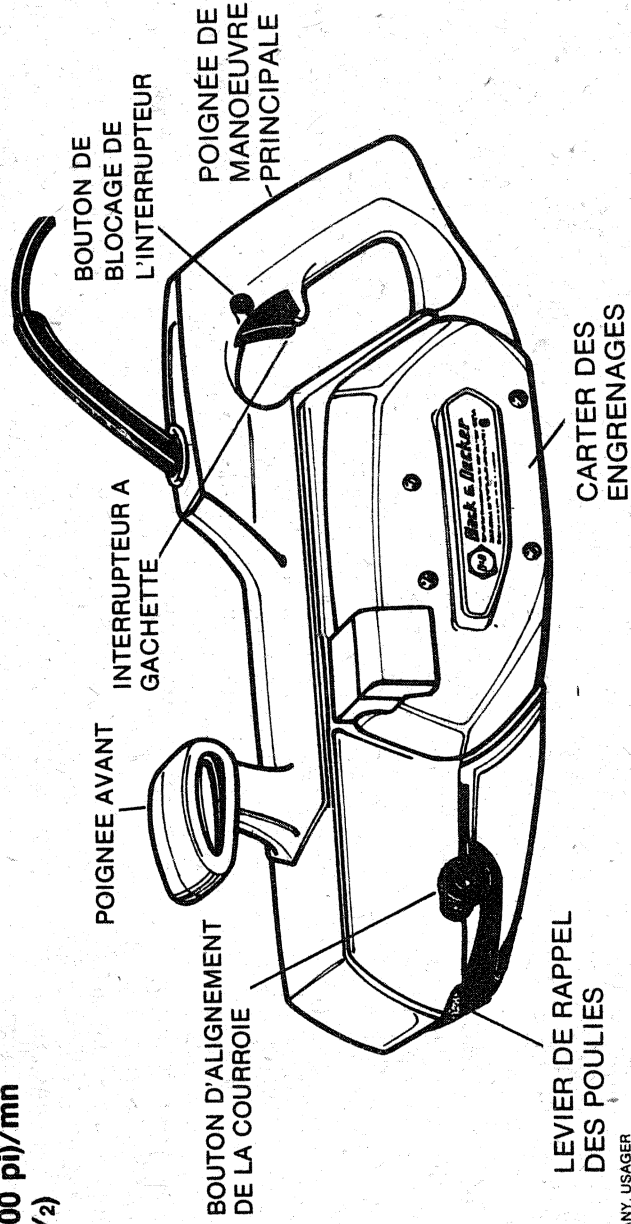
MANUEL DE L'USAGER

FORMAT DE LA COURROIE: 76mm x 610mm (3" x 24")

REGIME DE LA COURROIE: 366m (1200 pi)/mn

SURFACE ABRASIVE: 89cm² (13.8 po²)

120 volts c.a. — 5.2 ampères



*MARQUE DÉPOSÉE DE THE BLACK AND DECKER MANUFACTURING COMPANY, USAGER
LICENCE BLACK & DECKER CANADA INC., BROCKVILLE, ONTARIO, PRODUIT FABRIQUE
AU CANADA.

Ponceuse à courroie n° 7450