

home
& CO

378

**4 Slice Compact Grill
LW-503F
User Manual**



**PLEASE READ AND SAVE THESE INSTRUCTIONS FOR
FUTURE REFERENCE**

IMPORTANT SAFEGUARDS

Word Definitions

DANGER - Indicates an imminently hazardous situation, which, if not avoided, will result in death or serious injury. Usage of this single word is limited to the most extreme situations.

WARNING - Indicates a potentially hazardous situation, which, if not avoided, could result in death or serious injury.

CAUTION - Indicates a potentially hazardous situation, which, if not avoided, may result in minor/moderate injury or product/property damage. It also alerts against unsafe practices.

When using this or any other electrical appliance, always follow these basic safety precautions:



READ ALL INSTRUCTIONS BEFORE USE.



WARNING-- To reduce the risk of fire, electric shock, or serious personal injury:

- This appliance is not intended for use by persons (including children) with reduced physical, sensory or mental capabilities, or lack of experience and knowledge, unless they have been given supervision or instruction concerning use of the appliance by a person responsible for their safety.
- Children should be supervised to ensure that they do not play with the appliance.
- Always use the product on a flat, stable, heat-resistant surface.
- The appliance must be only be used with both plates properly installed.
- The temperature of the accessible surfaces may be very high when the appliance is in use. Make sure not to touch these hot parts of the appliance.
- Use the product in a well-ventilated area. Keep at least 4-6 inches of space on all sides of the product to allow adequate air circulation.
- Do not place the product on or near a gas or electric burner, or inside or on top of a heated oven or other heat source.
- Do not immerse the appliance, power cord or plug in water or any other liquids to protect against electric shock.
- Do not allow the product to touch curtains, wall coverings, clothing, dishtowels, or other flammable materials during its use.
- Do not touch hot surfaces of the product. Do not move the product while it is plugged in. Allow the product to thoroughly cool before handling it.
- Do not line the Drip Tray with aluminum foil or any other material.
- Do not use attachments not recommended for use with this product or not sold by the product manufacturer.
- Do not use the product near water or other liquids.

- Do not place or drop the product into water or other liquids. If the product falls into water, immediately unplug it from the electrical outlet. **Do not touch or reach into the water.**
- The appliance should be attended when in use.
- The appliance is not intended to be operated by means of an external timer or separate remote-control system.
- Do not put any stress on the power cord where it connects to the product as the power cord could fray and break.
- Do not plug or unplug the product into/from an electrical outlet with a wet hand.
- Keep the product and its power cord away from heated surfaces.
- If the supply cord is damaged, it must be replaced by qualified electrical person in order to avoid a hazard or the product must be disposed.
- Unplug the appliance from the outlet when not in use and before cleaning.



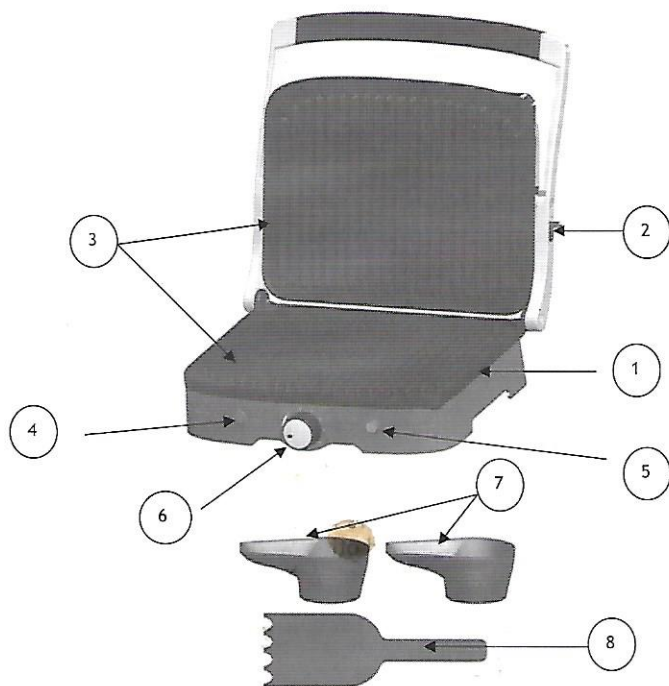
CAUTION-- To reduce the risk of personal injury or product/property damage:

- This product is intended for indoor, non-industrial, non-commercial, household use only. Do not use the item outdoors or for any other purpose.
- This appliance is intended to be used indoors in household and similar applications such as: staff kitchen areas in shops, offices and other working environments, farm houses, by clients in hotels, motels and other residential type environments, bed and breakfast type environments.
- To avoid a circuit overload when using this product, do not operate another high-wattage product on the same electrical circuit
- Do not allow the Power Cord to hang where it may be tripped over or pulled (e.g., over the edge of a table or counter).
- Do not use an extension cord with this appliance.



- **Caution, hot surface.** Care must be taken. The surface are liable to get hot during use.

PARTS AND FEATURES



- 1. Bottom Enclosure:** Solid construction with stainless steel self-adjusting cover.
 - 2. Hinge Release Knob:** Allows the cover hot plate to lay down for cooking in the flat position.
 - 3. Grill Plates:** Perfect for grilling steak, burgers, chicken and vegetables.
 - 4. Red Power Indicator:** When the product is connected to mains power, the power indicator light will illuminate in red color.
- WARNING: DO NOT leave the appliance unattended when in use or when connected to mains power.**
- 5. Green Ready Indicator:** When the product temperature reaches a certain temperature, the ready indicator light will illuminate in green color.
 - 6. Temperature Control Knob:** Adjust temperature setting from "0" to "6".
 - 7. Drip Tray:** Collect grease and it is dishwasher safe.
 - 8. Spatula:** Helps clean grill or griddle plates after cooking.

OPERATING INSTRUCTIONS

Once the appliance is assembled properly and you are ready to begin cooking, choose the Griddle function or to the right to push the Hinge Release Knob upward to choose the Flat Grill/Panini function, depend on what you intend to cook. When the product temperature reaches a certain temperature, the green light will light up.

If you intend to use the appliance as a Flat Grill or Griddle, but you do not need the entire surface, use the bottom plate.

It may take approx. 5 minutes to reach operating temperature, depending on the temperature level that was set. When the thermostat has reached operating temperature, a green ready indicator light will go on, it is indicated that the appliance is ready for cooking. During operation, the light will continue to turn ON and OFF as the thermostat regulates the temperature. This is normal.

The temperature controls are used to set and maintain the temperature of the cooking surface. You may vary the setting of the temperature control knob at any time during cooking and you may wish to do so depending on the types of foods on the cooking plate. Always exercise caution when handling the appliance during cooking. To open the appliance, grasp the black plastic area of the handle. This part of the handle stays cool to touch while cooking.

CAUTION! The arms are made of die-cast aluminum and will become hot during use. Do not touch them during or immediately following cooking.

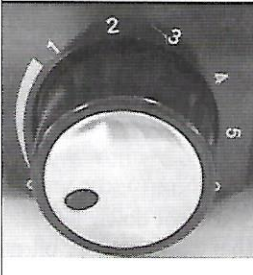
The appliance housing will become hot during use.

The cover is made of stainless steel and will become very hot and should not be touched during or immediately following cooking. If you need to adjust the cover, be sure to use an oven mitt to prevent burns.

The lower housing is made of plastic, and while it will become very warm it will not burn you. If you need to move the appliance during cooking, be sure to handle it from the base only. Do not touch the cover.

Always disconnect the appliance from mains power and allow the appliance to cool down before handling or cleaning (at least 30 minutes).

The approximate temperature on each heating setting listed below is for reference only.

	Adjustable temperature setting	Approximate temperature on hot plate
0	Off	
1	90 °C	
2	120 °C	
3	140 °C	
4	160 °C	
5	200 °C	
6	220 °C	

TO USE

CAUTION: Do not use this product to cook or defrost frozen food. All food must be completely defrosted before cooking it with this product.

NOTE: During the initial uses of this product, it may produce some smoke. This is normal and will subside with further use.

1. Before using this product for the first time, clean it as described in the "Cleaning" section. Make sure to replace the Drip Tray.
2. Open the unit by pulling the Handle up.
3. You may season the plates with butter, margarine or cooking fat. Since the appliance has a non-stick coated surface, the use of butter or oil is optional.
4. Close the plates and turn the unit on by plugging it into a standard electrical outlet. Verify that the Power Indicator Light illuminates in red.
WARNING: The Cooking Plates and metal surfaces of the unit will become extremely hot when in use. To avoid a burn hazard, wear heat resistant mitts or gloves and touch only the black portion of the Handle.
5. After the unit preheats for approximately five minutes, depending on temperature level that was set. Ready Indicator Light will illuminate in green, indicating the product is ready for use. The Red Power Indicator Light will remain on until you unplug the unit.
6. Use the Handle to lift the Upper Plate. Place food on the Lower Plate using wooden or plastic heat-resistant utensils.
CAUTION: Do not use metal utensils on this product, as they will scratch and damage the Plates' non-stick coating.
7. Use the Handle to lower and rest the Upper Plate on top of the food.
NOTES:
 - The cooking time for different foods depends on the type and thickness of the foods.
 - Foods should be cooked thoroughly before consumption.
8. When the food is cooked as desired, lift the Handle to open the Plates, then remove the food using the utensils. If more cooking will be done at this time, close the Plates to conserve heat.
9. Repeat Steps 5-7 until all cooking is complete, reapplying cooking oil as necessary.
10. Turn off the product by unplugging the Power Cord from the electrical outlet.
11. When the unit has completely cooled, clean and dry it.

CLEANING

- Before cleaning, unplug and wait for the appliance and the plates to cool down.
- Wipe the outside with only a slightly moistened cloth ensuring that no moisture, oil or grease enters the cooling slots.

- Wipe the grill plates with a damp cloth or towel.
- Do not clean the inside or outside with any abrasive scouring pad or steel wool as this will damage the finish.
- Do not immerse appliance in water or any other liquid.

STORAGE

- Unplug the appliance.
- Ensure the appliance is completely cooled down.
- Do not wrap the power cord around the appliance.
- Store the appliance in a dry location out of the reach of children.

TECHNICAL DATA

Model no. : LW-503F
Voltage : 220-240V~ 50Hz
Power : 1500W

12 MONTH WARRANTY

Thank you for your purchase from Kmart.

Kmart Australia Ltd warrants your new product to be free from defects in materials and workmanship for the period stated above, from the date of purchase, provided that the product is used in accordance with accompanying recommendations or instructions where provided. This warranty is in addition to your rights under the Australian Consumer Law.

Kmart will provide you with your choice of a refund, repair or exchange (where possible) for this product if it becomes defective within the warranty period. Kmart will bear the reasonable expense of claiming the warranty. This warranty will no longer apply where the defect is a result of alteration, accident, misuse, abuse or neglect.

Please retain your receipt as proof of purchase and contact our Customer Service Centre on 1800 124 125(Australia) or 0800 945 995 (New Zealand) or alternatively, via Customer Help at Kmart.com.au for any difficulties with your product. Warranty claims and claims for expense incurred in returning this product can be addressed to our Customer Service Centre at 690 Springvale Rd, Mulgrave Vic 3170.

Our goods come with guarantees that cannot be excluded under the Australian Consumer Law. You are entitled to a replacement or refund for a major failure and compensation for any other reasonably foreseeable loss or damage. You are also entitled to have the goods repaired or replaced if the goods fail to be of acceptable quality and the failure does not amount to a major failure.

For New Zealand customers, this warranty is in addition to statutory rights observed under New Zealand legislation.