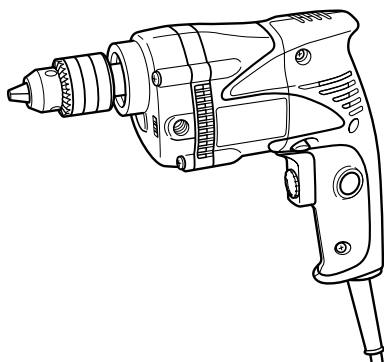


HITACHI

Drill
Bohrmaschine
Perceuse
Trapano
Boormachine
Taladro
Berbequim
Δραπανο

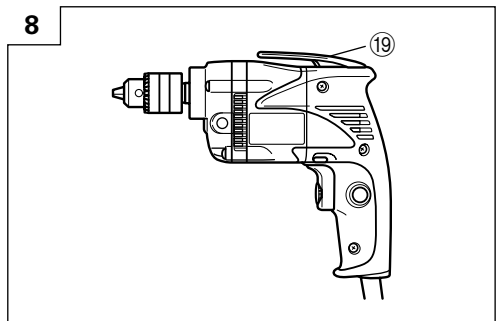
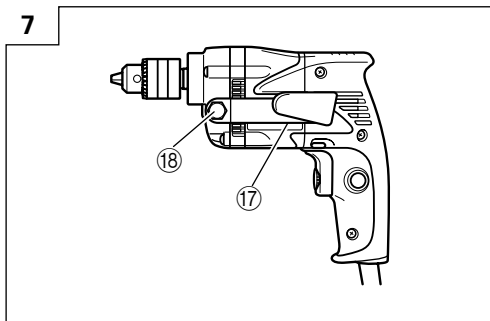
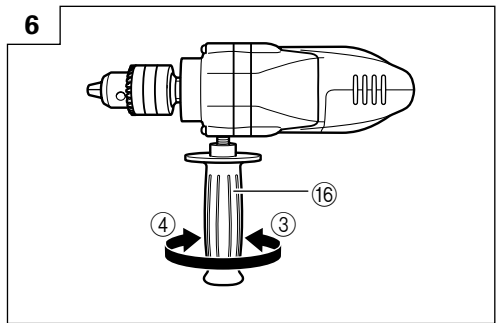
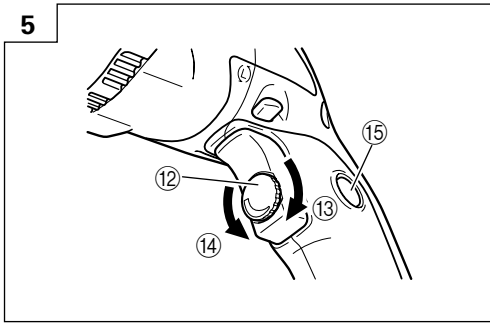
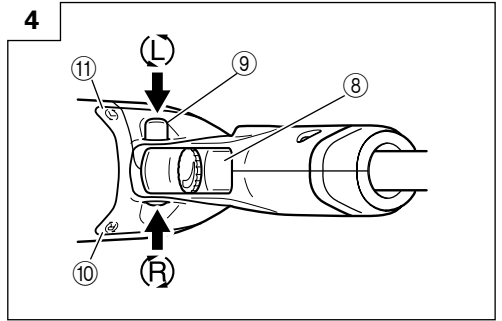
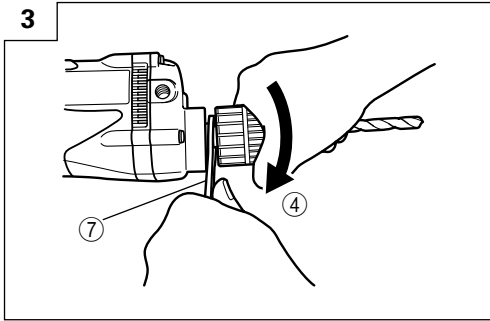
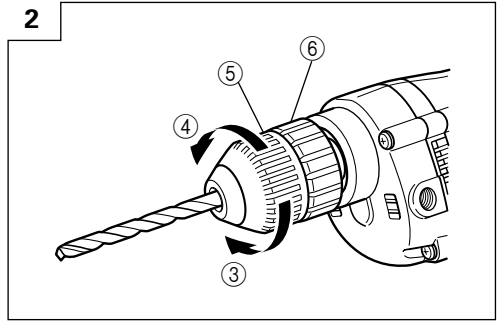
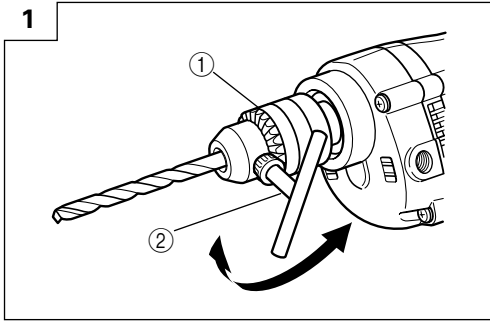
D 10VC2



Read through carefully and understand these instructions before use.
Diese Anleitung vor Benutzung des Werkzeugs sorgfältig durchlesen und verstehen.
Lire soigneusement et bien assimiler ces instructions avant usage.
Prima dell'uso leggere attentamente e comprendere queste istruzioni.
Deze gebruiksaanwijzing s.v.p. voor gebruik zorgvuldig doorlezen.
Leer cuidadosamente y comprender estas instrucciones antes del uso.
Antes de usar, leia com cuidado para assimilar estas instruções.
Διαβάστε προσεκτικά και κατανοήστε αυτές τις οδηγίες πριν τη χρήση.



Handling instructions
Bedienungsanleitung
Mode d'emploi
Istruzioni per l'uso
Gebruiksaanwijzing
Instrucciones de manejo
Instruções de uso
Οδηγίες χειρισμού



	English	Deutsch	Français	Italiano
①	Drill chuck	Bohrfutter	Mandrin	Mandrino trapano
②	Chuck wrench	Futterschlüssel	Clé de serrage	Chiave mandrino
③	Tighten	Anziehen	Serrer	Stringere
④	Loosen	Lösen	Desserrer	Allentare
⑤	Sleeve	Manschette	Manchon	Collare
⑥	Ring	Ring	Anneau	Anello
⑦	Open end wrench	Maulschlüssel	Clé à fourche	Chiave fissa doppia
⑧	Switch trigger	Abzugschalter	Gâchette	Grilletto interruttore
⑨	Push button	Druckknopf	Bouton poussoir	Pulsante
⑩	(R) mark	Markierung (R)	Repère (R)	Segno (R)
⑪	(L) mark	Markierung (L)	Repère (L)	Segno (L)
⑫	Speed control dial	Drehzahlskala	Molette de commande de la vitesse	Comando di velocità
⑬	High speed	Hohe Drehzahl	Vitesse élevée	Alta velocità
⑭	Low speed	Niedrige Drehzahl	Petite vitesse	Bassa velocità
⑮	Stopper	Stopper	Butée	Fermo
⑯	Side handle	Seitengriff	Poignée latérale	Maniglia laterale
⑰	Hook	Haken	Crochet	Gancio
⑱	M10 Bolt	M10-Schraube	Boulon M10	Bullone M10
⑲	Hook (A)	Haken (A)	Crochet (A)	Gancio (A)

	Nederlands	Español	Português	Ελληνικά
①	Boorkop	Portabrocas	Mandril	Σφικτήρας δραπάνου
②	Boorkopsleutel	Llave	Chave do mandril	Κλειδί σφικτήρα
③	Aandraaien	Apretar	Apertar	Σφιξτε
④	Losdraaien	Aflojar	Afrouxar	Χαλαρώστε
⑤	Klembus	Manguito	Manguito	Συνδετικός δακτύλιος
⑥	Ring	Anillo	Anel	Δακτύλιος
⑦	Open sleutel	Llave de boca	Chave de ponta aberta	Κλειδί με ένα ελεύθερο άκρο
⑧	Trekkerschakelaar	Interruptor de gatillo	Interruptor de gatilho	Σκανδάλη διακόπτης
⑨	Drukknop	Botón pulsador	Botão-interruptor	Κουμπι ώθησης
⑩	(R) merkteken	Marca (R)	Marca (R)	(R) σημάδι
⑪	(L) merkteken	Marca (L)	Marca (L)	(L) σημάδι
⑫	Toerentalregeling	Dial de control de velocidad	Dial de controle de velocidade	Καντράν ελέγχου ταχύτητας
⑬	Hoog toerental	Alta velocidad	Alta rotação	Υψηλή ταχύτητα
⑭	Laag toerental	Baja velocidad	Baixa rotação	Χαμηλή ταχύτητα
⑮	Stopper	Tope	Obturator	Στόπερ
⑯	Zijhendel	Asa lateral	Empunhadreira lateral	Πλευρική λαβή
⑰	Haak	Gancho	Gancho	Γάντζος
⑱	M10 bout	Perno M10	Parafuso M10	M10 Μπουλόνι
⑲	Haak (A)	Herramienta (A)	Gancho (A)	Γάντζος (A)

GENERAL OPERATIONAL PRECAUTIONS

WARNING! When using electric tools, basic safety precautions should always be followed to reduce the risk of fire, electric shock and personal injury, including the following.

Read all these instructions before operating this product and save these instructions.

For safe operations:

1. Keep work area clean. Cluttered areas and benches invite injuries.
2. Consider work area environment. Do not expose power tools to rain. Do not use power tools in damp or wet locations. Keep work area well lit. Do not use power tools where there is risk to cause fire or explosion.
3. Guard against electric shock. Avoid body contact with earthed or grounded surfaces. (e.g. pipes, radiators, ranges, refrigerators).
4. Keep children away. Do not let visitors touch the tool or extension cord. All visitors should be kept away from work area.
5. Store idle tools. When not in use, tools should be stored in a dry, high or locked up place, out of reach of children.
6. Do not force the tool. It will do the job better and safer at the rate for which it was intended.
7. Use the right tool. Do not force small tools or attachments to do the job of a heavy duty tool. Do not use tools for purposes not intended; for example, do not use circular saw to cut tree limbs or logs.
8. Dress properly. Do not wear loose clothing or jewellery, they can be caught in moving parts. Rubber gloves and non-skid footwear are recommended when working outdoors. Wear protecting hair covering to contain long hair.
9. Use eye protection. Also use face or dust mask if the cutting operation is dusty.
10. Connect dust extraction equipment. If devices are provided for the connection of dust extraction and collection facilities ensure these are connected and properly used.
11. Do not abuse the cord. Never carry the tool by the cord or yank it to disconnect it from the receptacle. Keep the cord away from heat, oil and sharp edges.
12. Secure work. Use clamps or a vise to hold the work. It is safer than using your hand and it frees both hands to operate tool.
13. Do not overreach. Keep proper footing and balance at all times.
14. Maintain tools with care. Keep cutting tools sharp and clean for better and safer performance. Follow instructions for lubrication and changing accessories. Inspect tool cords periodically and if damaged, have it repaired by authorized service center. Inspect extension cords periodically and replace, if damaged. Keep handles dry, clean, and free from oil and grease.
15. Disconnect tools. When not in use, before servicing, and when changing accessories such as blades, bits and cutters.

16. Remove adjusting keys and wrenches. Form the habit of checking to see that keys and adjusting wrenches are removed from the tool before turning it on.
17. Avoid unintentional starting. Do not carry a plugged-in tool with a finger on the switch. Ensure switch is off when plugging in.
18. Use outdoor extension leads. When tool is used outdoors, use only extension cords intended for outdoor use.
19. Stay alert. Watch what you are doing. Use common sense. Do not operate tool when you are tired.
20. Check damaged parts. Before further use of the tool, a guard or other part that is damaged should be carefully checked to determine that it will operate properly and perform its intended function. Check for alignment of moving parts, free running of moving parts, breakage of parts, mounting and any other conditions that may affect its operation. A guard or other part that is damaged should be properly repaired or replaced by an authorized service center unless otherwise indicated in this handling instructions. Have defective switches replaced by an authorized service center. Do not use the tool if the switch does not turn it on and off.
21. Warning
The use of any accessory or attachment, other than those recommended in this handling instructions, may present a risk of personal injury.
22. Have your tool repaired by a qualified person. This electric tool is in accordance with the relevant safety requirements. Repairs should only be carried out by qualified persons using original spare parts. Otherwise this may result in considerable danger to the user.

PRECAUTIONS ON USING DRILL

1. Hold the drill securely when using.
2. Do not wear gloves made of stuff liable to roll up such as cotton, wool, cloth or string, etc.
3. Prior to drilling into walls, ceilings or floors, ensure there are no electric cables or conduits inside.

SPECIFICATIONS

Voltage (by areas)*		(110V, 220V, 230V, 240V) ∪	
Power input		460W*	
No load speed		0-2300min ⁻¹	
Drill chuck capacity		10 mm	
Capacity	Steel	Twist Bit	10 mm
	Wood	Flat Spade Bit	25 mm
		Auger Bit	16 mm
Weight (without cord)		1.3 kg	

*Be sure to check the nameplate on product as it is subject to change by areas.

STANDARD ACCESSORIES

- Chuck wrench (Spec. only for keyed chuck) 1
- Standard accessories are subject to change without notice.

OPTIONAL ACCESSORIES (sold separately)

- (1) Side handle
- (2) Hook
- (3) Hook (A)

Optional accessories are subject to change without notice.

APPLICATIONS

- Boring holes in metal, wood and plastic.

PRIOR TO OPERATION

1. Power source

Ensure that the power source to be utilized conforms to the power requirements specified on the product nameplate.

2. Power switch

Ensure that the power switch is in the OFF position. If the plug is connected to a receptacle while the power switch is in the ON position, the power tool will start operating immediately, inviting serious accident.

3. Extension cord

When the work area is removed from the power source. Use an extension cord of sufficient thickness and rated capacity. The extension cord should be kept as short as practicable.

4. Selecting the appropriate drill bit:

- When boring metal or plastic
Use ordinary metalworking drill bits.
- When boring wood
Use ordinary woodworking drill bits.
However, when drilling 6.5 mm or smaller holes, use a metalworking drill bit.

5. Mounting and dismounting of the bit

For keyed chuck (Fig. 1)

- (1) Open the chuck jaws, and insert the bit into the chuck.
- (2) Place the chuck wrench in each of the three holes in the chuck, and turn it in the clockwise direction (viewed from the front side). Tighten securely.

- (3) To remove the bit, place the chuck wrench into one of the holes in the chuck and turn it in the counterclockwise direction.

For keyless chuck (Fig. 2)

- (1) Open the chuck jaws, and insert the bit into the chuck.
To open the chuck jaws, hold the ring while turning the sleeve in the counterclockwise direction (viewed from the front side).
- (2) Firmly grasp the ring and turn the sleeve in the clockwise direction. Tighten securely.
- (3) To remove the bit, firmly grasp the ring and turn the sleeve in the counterclockwise direction.
- (4) If it is hard to loosen the sleeve, fix the spindle using the open-end wrench, hold the sleeve firmly, and turn it in the loosening direction (counterclockwise when viewed from the front). (Fig. 3)

6. Check the rotational direction (Fig. 4)

The bit rotates clockwise (viewed from the rear side) by pushing the R-side of the push button. The L-side of the push button is pushed to turn the bit counterclockwise.

(The (L) and (R) marks are provided on the body.)

7. Installing the side handle (Optional accessory)

A Side handle can be installed on either side of the tool for right or left handed use.

To install the side handle, thread it into the socket on the desired side of the gear cover and tighten it securely. (Fig. 6)

8. Attaching the hook. (Optional accessory)

For hook (side-attaching) (Fig. 7)

Fix the hook firmly on the desired side of the gear cover using M10 bolt which is supplied with hook.

For hook (A) (top-attaching) (Fig. 8)

To attach the hook (A), it is necessary to disassemble the handle portion which covered the tool's electrical system. For your continued safety and electrical shock protection, installing the hook (A) on this drill should ONLY be performed by a HITACHI AUTHORIZED SERVICE CENTER.

CAUTION:

When the power tool is used with a hook fixed to it, pay attention to the following points:

- Before hanging the main unit from the waist belt, make sure that the drill has come to a complete stop.

While it is suspended from the waist belt, the power plug must be disconnected from the power source.

- Do not walk about with the power tool hanging from the waist belt.
- In the case of operation in a high place, it is dangerous to drop the tool accidentally. If the hook is deformed or hung from the wrong position, there is danger that the hook will slip off and the tool will fall.
Be careful to avoid danger.
- In making a through hole, the power tool sometimes shakes violently when the workpiece is pierced, from example. Be careful you are not hurt by the hook even if such situation happens.

HOW TO USE

1. Switch operation

- When the trigger is depressed, the tool rotates. When the trigger is released, the tool stops.
- The rotational speed of the drill can be controlled by varying the amount that the trigger switch is pulled. Speed is low when the trigger switch is pulled slightly and increases as the trigger switch is pulled more.
- The desired rotation speed can be pre-selected with the speed control dial.
Turn the speed control dial clockwise for higher speed and counterclockwise for lower speed. (Fig. 5)
- Pulling the trigger and pushing the stopper, it keeps the switched-on condition which is convenient for continuous running. When switching off, the stopper can be disconnected by pulling the trigger again.

2. Drilling

- When drilling, start the drill slowly, and gradually increasing speed as you drill.
- Always apply pressure in a straight line with the bit. Use enough pressure to keep drilling, but do not push hard enough to stall the motor or deflect the bit.
- To minimize stalling or breaking through the material, reduce pressure on drill and ease the bit through the last part of the hole.
- If the drill stalls, release the trigger immediately, remove the bit from the work and start again. Do not click the trigger on and off in an attempt to start a stalled drill. This can damage the drill.
- The larger the drill bit diameter, the larger the reactive force on your arm.
Be careful not to lose control of the drill because of this reactive force.
To maintain firm control, establish a good foothold, use side handle, hold the drill tightly with both hands, and ensure that the drill is vertical to the material being drilled.

MAINTENANCE AND INSPECTION

1. Inspecting the drill bits

Since use of an abraded drill bits will cause motor malfunctioning and degraded efficiency, replace the drill bits with a new one or resharpening without delay when abrasion is noted.

2. Inspecting the mounting screws

Regularly inspect all mounting screws and ensure that they are properly tightened. Should any of the screws be loose, retighten them immediately. Failure to do so could result in serious hazard.

3. Maintenance of the motor

The motor unit winding is the very "heart" of the power tool. Exercise due care to ensure the winding does not become damaged and/or wet with oil or water.

4. Inspecting the carbon brushes

For your continued safety and electrical shock protection, carbon brush inspection and replacement on this tool should ONLY be performed by a HITACHI AUTHORIZED SERVICE CENTER.

NOTE

Due to HITACHI's continuing program of research and development, the specifications herein are subject to change without prior notice.

IMPORTANT

Correct connection of the plug

The wires of the mains lead are coloured in accordance with the following code:

Blue:- Neutral

Brown:- Live

As the colours of the wires in the mains lead of this tool may not correspond with the coloured markings identifying the terminals in your plug proceed as follows: The wire coloured blue must be connected to the terminal marked with the letter N or coloured black.

The wire coloured brown must be connected to the terminal marked with the letter L or coloured red.

Neither core must be connected to the earth terminal.

NOTE

This requirement is provided according to BRITISH STANDARD 2769: 1984.

Therefore, the letter code and colour code may not be applicable to other markets except United Kingdom.

Information concerning airborne noise and vibration

The measured values were determined according to EN50144.

The typical A-weighted sound pressure level: 75 dB (A).

Wear ear protection.

The typical weighted root mean square acceleration
value: 2.5 m/s².

ALLGEMEINE VORSICHTSMASSNAHMEN

WARNUNG! Bei der Verwendung von Elektrowerkzeugen müssen immer die grundlegenden Vorsichtsmaßnahmen befolgt werden, um das Risiko von Feuer, elektrischem Schlag und persönlicher Verletzung und den nachfolgenden Punkten zu vermeiden. Lesen Sie diese Anweisungen völlig, bevor Sie dieses Erzeugnis verwenden, und bewahren Sie diese Anweisungen auf.

Für sicheren Betrieb:

1. Der Arbeitsplatz sollte sauber gehalten werden. Unaufgeräumte Arbeitsplätze und Werkbänke erhöhen die Unfallgefahr.
2. Die Betriebsbedingungen beachten. Elektrowerkzeuge sollten nicht dem Regen ausgesetzt werden. Ebenfalls sollten Sie nicht an feuchten oder nassen Plätzen gebraucht werden. Der Arbeitsplatz sollte gut beleuchtet sein. Verwenden Sie Elektrowerkzeuge nicht an Orten, an denen die Gefahr von Feuer oder Explosion besteht.
3. Schutzmaßnahmen gegen elektrische Schläge treffen. Darauf achten, daß das Gehäuse nicht in Kontakt mit geerdeten Flächen kommt, z. (z.B. Rohre, Radiatoren, Elektroherde, Kühlschränke).
4. Kinder sollten vom Gerät ferngehalten werden. Vermeiden, daß andere Personen mit dem Werkzeug oder Verlängerungskabel in Kontakt kommen.
5. Nicht benutzte Werkzeuge sollten sicher aufbewahrt werden. Sie sollten an einem trockenen und verschließbaren Ort aufbewahrt werden, damit Kinder sie nicht in die Hände bekommen.
6. Werkzeuge sollten nicht mit übermäßiger Gewalt verwendet werden. Ihre Leistung ist besser und sicherer, wenn sie mit der vorgeschriebenen Geschwindigkeit verwendet werden.
7. Nur die korrekten Werkzeuge verwenden. Niemals ein kleineres Werkzeug oder Zusatzgerät für Arbeiten verwenden, die Hochleistungsgeräte erfordern. Nur Werkzeuge verwenden, die dem Verwendungszweck entsprechen, d.h. niemals eine Kreissäge zum Sägen von Ästen oder Baumstämmen verwenden.
8. Die richtige Kleidung tragen. Keine lose Kleidung oder Schmuck tragen, da sich lose Kleidungsstücke in den bewegenden Teilen verfangen können. Bei Arbeiten im Freien sollten Gummihandschuhe und rutschfeste Schuhe getragen werden.
9. Es sollte eine Sicherheitsbrille getragen werden. Bei Arbeiten mit Staubentwicklung sollte eine Gesichtsmaske oder Staubmaske getragen werden.
10. Schließen Sie eine Staubabsaugvorrichtung an. Wenn Vorrichtungen für den Anschluß von Staubabsaug- und -sammelvorrichtungen vorhanden sind, so stellen Sie sicher, daß diese angeschlossen sind und richtig verwendet werden.
11. Niemals das Kabel mißbrauchen. Ein Werkzeug niemals am Kabel tragen oder bei Abtrennung von der Steckdose das Kabel herausreißen. Das Kabel sollte gegen Hitze, Öl und scharfe Kanten geschützt werden.
12. Den Arbeitsplatz gut absichern. Zwingen oder einen Schraubstock zur Befestigung des Werkstücks verwenden. Das ist sicherer als die Benutzung der Hände und macht beide Hände zur Bedienung des Werkzeugs frei.
13. Sich niemals weit überbeugen. Immer einen festen Stand und ein sicheres Gleichgewicht bewahren. Die Werkzeuge sollten sorgfältig behandelt werden. Für einen einwandfreien und sicheren Betrieb

- sollten sie stets scharf sein und saubergehalten werden. Die Anleitungen für Schmierung und Austausch des Zuehørs unbedingt einhalten. Die Kabel der Geräte regelmäßig überprüfen und bei Beschädigung durch eine autorisierte Kundendienststelle reparieren lassen. Ebenfalls die Verlängerungskabel regelmäßig überprüfen und bei Beschädigung auswechseln. Die Handgriffe sollten stets trocken und sauber sein, sowie keine Öl- oder Schmierfett stellen aufweisen.
15. Werkzeuge vom Netz trennen, wenn sie nicht benutzt werden, vor Wartungsarbeiten und beim Austausch von Zubehörteilen wie z.B. Blätter, Bohrer und Messer.
 16. Alle Steikeile und Schraubenschlüssel entfernen. Vor Einschaltung des Gerätes darauf achten, daß alle Steikeile und Schraubenschlüssel entfernt worden sind.
 17. Ein unbeabsichtigtes Einschalten sollte vermieden werden. Niemals ein angeschlossenes Werkzeug mit dem Finger am Schalter tragen. Vor Anschluß überprüfen, ob das Gerät ausgeschaltet ist.
 18. Im Freien ein Verlängerungskabel verwenden. Nur ein Verlängerungskabel verwenden, das für die Verwendung im Freien markiert ist.
 19. Den Arbeitsvorgang immer unter Kontrolle haben. Das Gerät niemals in einem abgespannten Zustand verwenden.
 20. Beschädigte Teile überprüfen. Vor Benutzung des Werkzeugs sollten beschädigte Teile oder Schutzvorrichtungen sorgfältig überprüft werden, um festzustellen, ob sie einwandfrei funktionieren und die vorgesehene Funktion erfüllen, Ausrichtung, Verbindungen sowie Anbringung sich bewegender Teile überprüfen. Ebenfalls überprüfen, ob Teile gebrochen sind. Teile oder Schutzvorrichtungen, die beschädigt sind, sollten, wenn in dieser Bedienungsanleitung nichts anderes erwähnt ist, durch eine autorisierte Kundendienststelle ausgetauscht oder repariert werden. Dasselbe gilt für defekte Schalter. Wenn sich das Werkzeug nicht mit dem Schalter einoder ausschalten läßt, sollte das Werkzeug nicht verwendet werden.
 21. Warnung
Die Verwendung von anderem Zubehör oder anderen Zusätzen als in dieser Bedienungsanleitung empfohlen kann das Risiko einer Körperverletzung einschließen.
 22. Lassen Sie Ihr Werkzeug durch qualifiziertes Personal reparieren. Dieses Elektrowerkzeug entspricht den zutreffenden Sicherheitsanforderungen. Reparaturen sollten nur von qualifiziertem Personal unter Verwendung von Originalersatzteilen durchgeführt werden, da sonst beträchtliche Gefahr für den Benutzer auftreten kann.

VORSICHTSMASSNAHMEN FÜR DIE BENUTZUNG BOHRMASCHINE

1. Halten Sie den Bohrer bei der Verwendung fest und sicher.
2. Tragen Sie keine Handschuhe aus Stoff, der zum Aufrollen neigt, wie z.B. Baumwolle, Wolle, Leinen usw.
3. Stellen Sie vor dem Bohren in Wänden, Decken und Böden sicher, daß keine elektrischen Kabel oder Kabelrohre vorhanden sind.

TECHNISCHE DATEN

Spannung (nach Bereichen)*		(110V, 220V, 230V, 240V) ~	
Leistungsaufnahme		460W*	
Leerlaufdrehzahl		0-2300min ⁻¹	
Spannfutterkapazität		10 mm	
Kapazität	Stahl	Spiralbohrer	10 mm
		Flachspitzbohrer	25 mm
	Holz	Stangenbohrer	16 mm
Gewicht (ohne Kabel)		1,3 kg	

*Überprüfen Sie das Typenschild am Erzeugnis, da Änderungen je nach Bereich jederzeit vorbehalten bleiben.

STANDARDZUBEHÖR

- Spannfutterschlüssel
(nur Modell mit Spannfutterschlüssel) 1
- Das Standardzubehör kann ohne vorherige Bekanntmachung jederzeit geändert werden.

SONDERZUBEHÖR (separat zu beziehen)

- (1) Seitengriff
 - (2) Haken
 - (3) Haken (A)
- Das sonderzubehör kann ohne vorherige Bekanntmachung jederzeit geändert werden.

ANWENDUNGEN

- Bohren von Löchern in Metall, Holz und plastisches Material.

VOR INBETRIEBNAHME

- 1. Netzspannung**
Prüfen, daß die zu verwendende Netzspannung der Angabe auf dem Typenschild entspricht.
- 2. Netzschalter**
Prüfen, daß der Netzschalter auf "AUS" steht. Wenn der Stecker an das Netz angeschlossen ist, Während der Schalter auf "EIN" steht, beginnt das Werkzeug sofort zu laufen und bedeutet ernsthafte Gefahr.
- 3. Verlängerungskabel**
Wenn der Arbeitsbereich nicht in der Nähe des Netzanschlusses liegt, ist ein Verlängerungskabel ausreichenden Querschnitts und ausreichender Nennleistung zu verwenden. Das Verlängerungskabel sollte so kurz wie möglich gehalten werden.
- 4. Wahl des angemessenen Bohrers:**
 - Beim Bohren von Metall oder Plastik Verwenden Sie normale Bohrer für Metallbearbeitung.
 - Beim Bohren von Holz: Verwenden Sie normale Bohrer für Holz. Verwenden Sie jedoch Bohrer für Metallbearbeitung für Löcher mit einem Durchmesser von 6,5 mm oder weniger.

5. Anbringen und Entfernen des Bohrers

Für ein Bohrfutter mit Schlüssel (Abb. 1)

- (1) Öffnen Sie die Spannbacken des Futters und schieben Sie den Bohrer in das Futter.
- (2) Schieben Sie den Futterschlüssel in jedes der drei Löcher des Spannfutters ein und drehen Sie den Schlüssel im Uhrzeigersinn (von der Vorderseite her gesehen). Ziehen Sie fest an.
- (3) Schieben Sie zum Entfernen des Bohrers den Futterschlüssel in eins der Löcher des Spannfutters und drehen Sie ihn gegen den Uhrzeigersinn.

Für ein schlüsselfreies Spannfutter (Abb. 2)

- (1) Öffnen Sie die Spannbacken des Futters und schieben Sie den Bohrer in das Futter.
- (2) Halten Sie den Ring fest und drehen Sie die Muffe im Uhrzeigersinn. Ziehen Sie fest an.
- (3) Halten Sie zum Entfernen des Bohrers den Ring fest und drehen Sie die Muffe entgegen dem Uhrzeigersinn.
- (4) Wenn es schwierig ist, die Muffe zu lösen, so fixieren Sie die Spindel mit dem Maulschlüssel, halten Sie die Muffe fest, und drehen Sie sie in Lösungsrichtung (von der Vorderseite her gesehen gegen den Uhrzeigersinn). (Abb. 3)

6. Überprüfen der Drehrichtung (Abb. 4)

Der Bohrer dreht sich im Uhrzeigersinn (gesehen von hinten). Wenn die R-Seite des Druckknopfs gedrückt wird. Wenn die L-Seite des Bohrers gedrückt wird, dreht sich der Bohrer gegen den Uhrzeigersinn.
(Die Markierungen (L) und (R) befinden sich auf dem Körper der Bohrmaschine.)

7. Installation des Seitengriffs (Sonderzubehör)

Der Seitengriff kann für rechtshändige oder linkshändige Verwendung auf einer der beiden Seiten angebracht werden.

Schrauben Sie den Seitengriff in die Gewindebuchse auf der gewünschten Seite der Getriebeabdeckung und ziehen Sie ihn sicher an. (Abb. 6)

8. Anbringen des Hakens (Sonderzubehör)

Anbringen des Hakens (Seitenanbringung) (Abb. 7)

Befestigen Sie den Haken mit der mitgelieferten M10-Schraube sicher auf der gewünschten Seite der Getriebeabdeckung.

Anbringen des Hakens (A) (an der Oberseite) (Abb. 8)

Zum Anbringen des Hakens (A) ist es erforderlich, den Handgriffabschnitt zu entfernen, der das Elektrosystem der Bohrmaschine abdeckt. Zur Erhaltung Ihrer Sicherheit und des Schutzes gegen elektrischen Schlag sollte der Haken (A) NUR DURCH EIN AUTORISIERTES HITACHI WARTUNGSZENTRUM angebracht werden.

ACHTUNG:

Achten Sie bei Verwendung der Bohrmaschine mit angebrachtem Haken auf die folgenden Punkte:

- Stellen Sie sicher, daß die Bohrmaschine vollständig angehalten hat, bevor Sie diese am Gürtel aufhängen.
Während Aufhängung am Gürtel muß der Stecker des Netzkabel aus der Steckdose gezogen sein.
- Gehen Sie nicht herum, während die Bohrmaschine am Gürtel hängt.
- Bei Arbeit an einem höheren Ort ist versehentliches Herunterfallen der Bohrmaschine gefährlich. Wenn der Haken verformt ist oder Aufhängung an der falschen Stelle erfolgt, besteht die Gefahr, daß sich der Haken löst und die Bohrmaschine herunterfällt. Lassen Sie Sorgfalt walten, um Gefahr zu verhüten.
- Beim Bohren eines durchgehenden Loches kann es zu heftigem Schütteln der Bohrmaschine kommen, wenn die Bohrspitze aus dem Material austritt. Achten Sie darauf, daß Sie auch in einem solchen Fall nicht durch den Haken verletzt werden.

VERWENDUNG**1. Schalterbetätigung**

- Wenn der Abzugsschalter durchgedrückt wird, dreht sich das Werkzeug. Wenn der Abzugsschalter losgelassen wird, hält das Werkzeug an.
- Die Drehzahl des Bohrers kann durch entsprechendes Durchziehen des Abzugschalters geregelt werden. Wenn der Abzugsschalter nur leicht durchgedrückt wird, ist die Drehzahl niedrig, und sie nimmt zu, wenn der Abzugsschalter stärker durchgedrückt wird.
- Die gewünschte Drehzahl kann mit der Drehzahlsskala voreingestellt werden.
Drehen Sie die Drehzahlsskala im Uhrzeigersinn für eine höhere Drehzahl und gegen den Uhrzeigersinn für eine niedrigere Drehzahl. (Abb. 5)
- Wenn der Abzugsschalter durchgedrückt und der Stopper gedrückt wird, bleibt die Maschine eingeschaltet, was angenehm für kontinuierliche Verwendung ist. Zum Ausschalten kann der Stopper durch erneutes Durchdrücken des Abzugschalters freigegeben werden.

2. Bohren

- Starten Sie zum Bohren die Bohrmaschine langsam und erhöhen Sie die Drehzahl beim Bohren.
- Drücken Sie immer in einer geraden Linie mit dem Bohrer. Drücken Sie mit ausreichender Kraft, um weiter zu Bohren, aber nicht so stark, daß der Motor anhält oder der Bohrer abgelenkt wird.
- Verringern Sie am Ende des Loches den Druck auf den Bohrer und leiten Sie den Bohrer vorsichtig durch den letzten Teil des Loches, um Stehenbleiben oder Durchbrechen durch das Material zu vermeiden.

- Wenn der Bohrer stehenbleibt, so lassen Sie sofort den Abzugsschalter los, ziehen Sie den Bohrer aus dem Loch, und beginnen Sie erneut. Ziehen Sie nicht den Abzugsschalter wiederholt durch, um einen stehengebliebenen Bohrer zu starten. Dies kann den Bohrer beschädigen.
- Je größer der Durchmesser des Bohrers ist, um so stärker ist die Reaktionskraft auf Ihren Arm. Achten Sie darauf, durch die Reaktionskraft nicht die Kontrolle über die Bohrmaschine zu verlieren. Stellen Sie sich für sichere Kontrolle des Bohrers sicher hin, verwenden Sie den Seitengriff, halten Sie die Bohrmaschine mit beiden Händen fest, und stellen Sie sicher, daß der Bohrer senkrecht zum zu bohrenden Material steht.

WARTUNG UND INSPEKTION**1. Inspektion der Bohrer**

Da ein abgenutzter Bohrer Fehlfunktion des Motors und verringerte Wirksamkeit verursacht, sollten Sie die Bohrer sofort schärfen durch neue ersetzen, wenn Verschleiß festgestellt wird.

2. Inspektion der Befestigungsschraube

Alle Befestigungsschrauben werden regelmäßig inspiziert und geprüft, daß sie richtig angezogen sind. Wenn sich eine der Schrauben lockert, muß sie sofort wieder angezogen werden. Geschieht das nicht, kann das zu erheblicher Gefahr führen.

3. Wartung des Motors

Die Motorwicklung ist das "Herz" des Elektrowerkzeugs. Daher ist besonders sorgfältig darauf zu achten, daß die Wicklung nicht beschädigt und/oder mit Öl oder Wasser benetzt wird.

4. Inspektion der Kohlebürsten

Zur Erhaltung Ihrer Sicherheit und des Schutzes gegen elektrischen Schlag sollten Inspektion und Auswechseln der Kohlebürsten NUR DURCH EIN AUTORISIERTES HITACHI-WARTUNGSZENTRUM durchgeführt werden.

ANMERKUNG

Aufgrund des ständigen Forschungs - und Entwicklung programms von HITACHI sind Änderungen der hierin gemachten technischen Angaben vorbehalten.

Information über Betriebslärm und Vibration

Die Meßwerte wurden entsprechend EN50144 bestimmt.

Der typische A-gewichtete Schalldruck ist 75 dB (A).

Bei der Arbeit immer einen Ohrenschutz tragen.

Der typische gewichtete Effektiv-Beschleunigungswert überschreitet 2,5m/s².

PRECAUTIONS GENERALES DE TRAVAIL

ATTENTION! Lors de l'utilisation d'un outillage électrique, les précautions de base doivent être respectées de manière à réduire les risques d'incendie, de secousse électrique et de blessure corporelle, y compris les précautions suivantes.

Lire ces instructions avant d'utiliser le produit et conserver ces instructions pour référence.

Pour assurer un fonctionnement sûr:

1. Maintenir l'aire de travail propre. Des ateliers ou des établis en désordre risquent de provoquer des accidents.
2. Tenir compte de l'environnement de l'aire de travail. Ne pas exposer les outils électriques à la pluie. Ne pas les utiliser dans des endroits humides. Travailler dans un endroit bien éclairé. Ne pas utiliser d'outillage électrique s'il existe un risque d'incendie ou d'explosion.
3. Protection contre une décharge électrique. Eviter tout contact corporel avec des surfaces de mise à la terre telles que les tuyaux, radiateurs, cuisinières et réfrigérateurs.
4. Tenir les enfants éloignés. Ne pas laisser les visiteurs toucher l'outil ou son cordon d'alimentation. Il est préférable de tenir les visiteurs à l'écart de l'aire de travail.
5. Ranger les outils non utilisés. Quand on ne les utilise pas, il est recommandé de ranger les outils dans un endroit sec, verrouillé ou hors de portée des enfants.
6. Ne pas forcer l'outil. Il fonctionnera mieux et plus sûrement à la vitesse pour laquelle il a été conçu.
7. Utiliser l'outil approprié. Ne pas essayer de faire avec un petit outil le travail prévu pour un outil plus important. Toujours utiliser l'outil adéquat; par exemple, ne pas se servir d'une scie circulaire pour couper des branches d'arbres ou des billots de bois.
8. Porter des vêtements appropriés. Ne pas mettre de vêtements flottants ou de bijoux qui risquent d'être pris dans les pièces mobiles. Si l'on travaille à l'extérieur, il est recommandé de porter des gants de caoutchouc et des chaussures à semelles antidérapantes. Veiller à s'attacher les cheveux ou à mettre un bonnet si on a les cheveux longs.
9. Porter des lunettes protectrices. Mettre un masque si l'opération de coupe crée de la poussière.
10. Relier l'équipement d'extraction de poussière. Si des dispositifs sont prévus pour le raccordement d'installations d'extraction et de collection de poussière, s'assurer qu'ils sont correctement raccordés et utilisés.
11. Prendre soin du fil. Ne jamais transporter l'outil en le tenant par le fil et ne pas le débrancher en tirant sur le fil d'un coup sec. Tenir le fil à l'abri de la chaleur, l'éloigner de l'huile ou de bords tranchants.
12. Fixer fermement la pièce à travailler. Utiliser des agrafes ou un étau pour la maintenir. C'est plus sûr que d'utiliser ses mains et cela les libère pour faire fonctionner l'outil.
13. Ne pas présumer de ses forces. Essayer de garder son équilibre en toute circonstance.
14. Entretien des outils avec soin. Les conserver bien aiguisés et les nettoyer afin d'en obtenir les meilleures performances et de pouvoir les utiliser

sans danger. Suivre les instructions pour le graissage et le changement des accessoires. Vérifier régulièrement les fils et cordons et s'ils sont endommagés, les faire réparer par une personne compétente. Vérifier régulièrement les rallonges et les remplacer si elles sont endommagées. Veiller à ce que les poignées soient toujours sèches et propres, sans huile ni graisse.

15. Débrancher les outils lorsqu'on ne les utilise pas, avant toute opération d'entretien et lors du changement d'accessoire; comme par exemple quand on change les lames, les forets, le fraises, etc.
16. Retirer les clés de réglage. Prendre l'habitude de toujours vérifier que les clés de réglage sont bien retirées de l'appareil avant de le mettre en marche.
17. Eviter toute mise en marche accidentelle. Ne pas transporter l'outil branché avec un doigt sur l'interrupteur. S'assurer que l'interrupteur est sur la position d'arrêt quand on branche l'outil.
18. Utilisation de rallonges à l'extérieur. Quand on utilise l'outil à l'extérieur, ne se servir que des rallonges prévues pour l'extérieur et portant une marque distinctive.
19. Soyez vigilant. Regardez bien ce que vous faites. Faites appel à votre bon sens. N'utilisez pas l'outil quand vous êtes fatigué.
20. Vérifier les pièces endommagées. Avant d'utiliser davantage l'outil, vérifier attentivement toute pièce endommagée afin de déterminer si l'outil peut fonctionner correctement et effectuer le travail pour lequel il est prévu. Vérifier l'alignement et la flexion des pièces mobiles, la cassure des pièces, le montage et toute autre condition risquant d'affecter le bon fonctionnement de l'outil. Un protecteur ou toute autre pièce endommagée devra être correctement réparé ou remplacé par un service d'entretien autorisé, sauf autre indication dans ce mode d'emploi. Faire remplacer les interrupteurs défectueux par un service d'entretien autorisé. Ne pas utiliser l'outil si l'interrupteur ne permet pas de le mettre en marche ou de l'arrêter.
21. Précaution
L'utilisation d'un accessoire ou dispositif annexe autre que ceux conseillés dans ce mode d'emploi peut entraîner un risque de blessure corporelle.
22. Confier la réparation d'un outil à un technicien qualifié. Cet outil électrique a été conçu conformément aux règles de sécurité en usage. Les réparations doivent être effectuées par du personnel qualifié utilisant des pièces d'origine. Dans le cas contraire, l'utilisateur s'expose à des risques graves.

PRECAUTIONS POUR L'UTILISATION DE LA PERCEUSE

1. Tenir la perceuse fermement pendant son utilisation.
2. Ne pas porter de gants faits d'un matériau susceptible de se rouler, par exemple du coton, de la laine, de la toile ou de la corde, etc.
3. Avant de percer des trous dans un mur, un plafond ou un plancher, s'assurer qu'il n'y a pas de cordons électriques ni de conduites à l'intérieur.

SPECIFICATIONS

Tension (per sone)*	(110V, 220V, 230V, 240V) ~		
Puissance	460W*		
Vitesse sans charge	0-2300min ⁻¹		
Capacité de mèche	10 mm		
Capacité	Acier	Foret hélicoïdal	10 mm
	Bois	Foret à lame plate	25 mm
		Mèche creuse	16 mm
Poids (sans fil)	1,3 kg		

*Assurez-vous de vérifier la plaque signalétique sur le produit qui peut changer suivant les régions.

ACCESSOIRES STANDARDS

- Clef pour mandrin (Spéc. uniquement pour mandrin avec clavette)..... 1
- Les accessoires standards sont sujettes à changement sans préavis.

ACCESSOIRES EN OPTION

(vendus séparément)

- (1) Poignée lateral
- (2) Crochet
- (3) Crochet (A)

Les accessoires à option sont sujettes à changement sans préavis.

APPLICATIONS

- Perçage de trous dans métal, bois et matières plastiques.

AVANT LA MISE EN MARCHÉ

1. Source de puissance

S'assurer que la source de puissance à utiliser correspond à la puissance indiquée sur la plaque signalétique du produit.

2. Interrupteur de puissance

S'assurer que l'interrupteur de puissance est en position ARRÊT. Si la fiche est branchée alors que l'interrupteur est sur MARCHÉ, l'outil démarre immédiatement et peut provoquer un grave accident.

3. Fil de rallonge

Lorsque la zone de travail est éloignée de la source de puissance, utiliser un fil de rallonge d'une épaisseur suffisante et d'une capacité nominale suffisante. Le fil de rallonge doit être aussi court que possible.

4. Choix du foret de perçage correct

- Pour perçage dans métal ou plastique
Utiliser un foret de perçage ordinaire pour métal.
- Pour perçage dans bois
Utiliser un foret de perçage ordinaire pour bois. Toutefois, pour percer des trous de 6,5 mm ou plus petits, utiliser un foret de perçage pour métal.

5. Montage et démontage de la mèche

Mèche avec clavette (Fig. 1)

- (1) Ouvrir les mâchoires du mandrin et insérer la mèche dans le mandrin.
- (2) Mettre la clavette à mandrin dans chacun des trois trous du mandrin, et la tourner dans le sens des aiguilles d'une montre (vue depuis l'avant). Serrer à fond.
- (3) Pour retirer la mèche, mettre la clavette à mandrin dans l'un des trous du mandrin et la tourner dans le sens inverse des aiguilles d'une montre.

Mèche sans clavette (Fig. 2)

- (1) Ouvrir les mâchoires du mandrin et insérer la mèche dans le mandrin.
Pour ouvrir les mâchoires du mandrin, tenir la bague tout en tournant le manchon dans le sens inverse des aiguilles d'une montre (vu depuis l'avant).
- (2) Tenir fermement la bague et tourner le manchon dans le sens des aiguilles d'une montre. Serrer à fond.
- (3) Pour retirer la mèche, tenir fermement la bague et tourner le manchon dans le sens inverse des aiguilles d'une montre.
- (4) S'il est difficile de desserrer le manchon, fixer le mandrin en utilisant la clé pour mandrin, maintenir fermement le manchon et tourner dans le sens du dévissage (sens contraire des aiguilles d'une montre quand le manchon est vu de l'avant). (Fig. 3)

6. Vérification du sens de rotation (Fig. 4)

La mèche tourne dans le sens des aiguilles d'une montre (vue de l'arrière) quand on appuie sur le côté R du bouton-poussoir.

Appuyer sur le côté L du bouton-poussoir pour la faire tourner dans le sens inverse des aiguilles d'une montre.

(Il y a des repères (L) (gauche) et (R) (droite) sur le corps de l'outil.)

7. Installation de la poignée latérale (Accessoire en option)

Une poignée latérale peut être installée sur un des côtés de l'outil selon que l'on est droitier ou un gaucher.

Pour installer la poignée latérale, la viser dans la douille du côté voulu du couvercle du pignon et serrer fermement. (Fig. 6)

8. Fixation du crochet (accessoire en option)

Crochet (fixation latérale) (Fig. 7)

Fixer le crochet fermement du côté voulu sur le couvercle du pignon en utilisant le boulon M10 fourni avec le crochet.

Crochet (A) (fixation supérieure) (Fig. 8)

Pour pouvoir fixer le crochet (A), il faut démonter la section de la poignée qui recouvre le circuit électrique de l'outil. Pour garantir la sécurité et préserver la protection contre les chocs électriques, l'installation du crochet (A) sur la perceuse sera confiée EXCLUSIVEMENT à un SERVICE APRES-VENTE HITACHI AGREE.

PRECAUTION

Lorsque l'outil est utilisé avec un crochet fixé dessus, faire attention aux points suivants:

- Avant d'accrocher l'appareil principal à la ceinture, bien s'assurer que la perceuse est complètement arrêtée.
- Si l'appareil est accroché à la ceinture, la fiche d'alimentation risque de se débrancher de la source d'alimentation.
- Ne pas se promener avec l'outil électrique accroché à la ceinture.
- Lors d'un travail en hauteur, il serait dangereux de laisser tomber l'outil accidentellement. Si le crochet est déformé ou qu'il accroché en mauvaise position, il risque de glisser et l'outil de tomber. Faire attention pour éviter tout danger.
- Lors du perçage d'un trou, il arrive que l'outil soit violemment secoué, lorsque la pièce est percée par exemple. Faire attention de ne pas se blesser avec le crochet dans ce genre de situation.

UTILISATION

1. Fonctionnement de l'interrupteur

- Quand on tire sur la gâchette, l'outil se met à tourner. Quand on relâche la gâchette, l'outil s'arrête.
- Il est possible de régler la vitesse de rotation de la perceuse en faisant varier la pression sur la gâchette. La vitesse est lente quand on tire légèrement sur la gâchette, et elle augmente quand on tire davantage sur la gâchette.
- La vitesse de rotation souhaitée peut être préréglée avec la molette de commande de la vitesse. Tourner la molette de commande de la vitesse dans le sens des aiguilles d'une montre pour augmenter la vitesse et dans le sens contraire pour réduire la vitesse. (Fig. 5)
- Si l'on tire sur la gâchette et qu'on appuie sur la butée, l'outil continue à tourner tout seul, ce qui est pratique pour un travail continu. Pour arrêter l'outil, déconnecter la butée en tirant à nouveau sur la gâchette.

2. Perçage

- Pour percer des trous, démarrer la perceuse lentement, et augmenter progressivement la vitesse à mesure que l'on perce.
- Toujours appuyer sur la mèche en ligne droite. Appuyer suffisamment pour que la perceuse perce, mais pas trop car cela pourrait caler le moteur ou tordre la mèche.

- Pour minimiser le calage ou la rupture de la mèche dans la pièce, réduire la pression sur la perceuse et déloger la mèche lorsqu'on arrive vers la fin du trou.
- Si la perceuse cale, relâcher immédiatement la gâchette, sortir la mèche de la pièce et recommencer. Ne pas appuyer de façon répétée sur la gâchette pour redémarrer une perceuse qui a calé. Cela pourrait endommager la perceuse.
- Plus le diamètre de la mèche est grand, plus la force de réaction sur le bras est forte. Faire attention à ne pas perdre le contrôle de la perceuse à cause de cette force de réaction. Pour garder un bon contrôle de l'outil, se tenir bien en équilibre, utiliser la poignée latérale, tenir la perceuse fermement des deux mains, et veiller à ce que la mèche soit perpendiculaire à la pièce dans laquelle on effectue le perçage.

ENTRETIEN ET CONTROLE

1. Inspection des mèches

L'utilisation d'une mèche usée par abrasion risquant de provoquer un mauvais fonctionnement du moteur et une diminution du rendement, remplacer la mèche par une neuve ou l'affûter sans tarder dès que l'on constate une abrasion.

2. Contrôle du foret de perçage et du taraud

Comme l'utilisation continue d'un foret ou taraud usé réduirait l'efficacité de fonctionnement et provoquerait un surchage du moteur, remplacer ou aiguiser le foret ou le taraud sans retard lorsque des traces d'usure excessive apparaissent.

3. Entretien du moteur

Le bobinage de l'ensemble moteur est le "cœur" même de l'outil électro-portatif. Veiller soigneusement à ce que ce bobinage ne soit pas endommagé et/ou mouillé par de l'huile ou de l'eau.

4. Inspection des balais en carbone

Pour assurer à tout moment la sécurité et la protection contre les chocs électrique, confier l'inspection et le remplacement des balais en carbone de l'outil EXCLUSIVEMENT à un centre de service après-vente agréé par HITACHI.

NOTA

Par suite du programme permanent de recherche et de développement HITACHI, ces spécifications peuvent faire l'objet de modifications sans avis préalable.

Au sujet du bruit et des vibrations

Les valeurs mesurées ont été déterminées en fonction de la norme EN50144.

Le niveau de pression acoustique pondéré A type est de 75 dB (A).

Porter un casque de protection.

L'accélération quadratique pondérée typique n'exécède pas $2,5 \text{ m/s}^2$.

PRECAUZIONI GENERALI

ATTENZIONE!

Quando si usano elettrotensili, bisogna sempre seguire le precauzioni basilari di sicurezza per ridurre il rischio di incendi, scosse elettriche e lesioni alle persone, tra cui quanto segue.

Leggere tutte queste istruzioni prima di usare questo prodotto e conservare le istruzioni.

Per un funzionamento sicuro:

1. Mantenere sempre pulita l'area dove si lavora. Un'area di lavoro sempre pulita aiuta ad evitare incidenti.
2. Tenere nella dovuta considerazione le condizioni dell'ambiente di lavoro. Non esporre gli elettrotensili alla pioggia. Non usare gli elettrotensili in luoghi molto umidi o bagnati. Mantenere ben illuminata l'area di lavoro. Non usare elettrotensili dove ci sia il rischio di causare incendi o esplosioni.
3. Fare attenzione alle scosse elettriche. Evitare il contatto del corpo con superfici collegate a terra (p.es. tubi, caloriferi, fornelli, frigoriferi)
4. Tenere lontano i bambini. Non permettere che persone estranee ai lavori tocchino gli elettrotensili o i cavi della corrente elettrica. Le persone non addette al lavoro non dovrebbero nemmeno avvicinarsi.
5. Riporre gli elettrotensili non usati in luogo adatto. Quando non utilizzati, gli elettrotensili vanno tenuti in un luogo asciutto, chiusi a chiave o in alto, fuori dalla portata dei bambini.
6. Non forzare mai gli elettrotensili. Qualsiasi lavoro viene eseguito meglio e più velocemente alla velocità per la quale l'elettrotensile è stato formulato.
7. Scegliere sempre l'utensile elettrico adatto. Non forzare un piccolo elettrotensile o un accessorio a fare un lavoro di un utensile o accessorio più grande. Non usare gli elettrotensili per dei lavori per i quali non sono stati formulati (non usare, per esempio, una sega circolare per tagliare grossi tronchi).
8. Vestirsi in modo adatto. Non portare abiti larghi o gioielli, che potrebbero impigliarsi nelle parti in movimento degli elettrotensili. Lavorando all'esterno, si raccomanda l'uso di guanti di gomma e di scarpe antiscivolo. Chi porta capelli lunghi dovrebbe utilizzare un'apposita cuffia protettiva.
9. Usare occhiali protettivi. Eseguendo dei lavori di taglio che producono molta polvere, usare anche una mascherina antipolvere.
10. Collegare apparecchiature di rimozione della polvere. Se sono forniti dispositivi per il collegamento di apparecchiature di rimozione e raccolta della polvere, assicurarsi che siano collegati e usati correttamente.
11. Non maltrattare il cavo della corrente elettrica. Non trasportare gli elettrotensili prendendoli per il cavo della corrente e non scollarli dalla presa in tal modo. Tenere il cavo della corrente lontano dal calore, olio ed oggetti taglienti.
12. Lavorare su oggetti fermi. Fissare saldamente l'oggetto in una morsa. E' più sicuro che non tenendolo fermo con le mani, che restano libere per maneggiare l'elettrotensile.
13. Non squilibrare il corpo durante l'esecuzione di un lavoro. Stare sempre su due piedi, in equilibrio stabile.
14. Trattare gli utensili elettrici con cura. Tenerli sempre puliti ed affilati per un funzionamento migliore e più sicuro. Seguire le istruzioni date per la lubrificazione e la sostituzione degli accessori.

15. Controllare periodicamente le condizioni del cavo della corrente. Se dovesse essere rovinato, farlo sostituire presso un Centro Assistenza. Non usare cavi di prolungamento rovinati. Mantenere le impugnature sempre pulite, libere soprattutto da olio e grasso.
16. Quando non si usa, prima di eseguire una qualsiasi operazione di manutenzione e prima di intraprendere qualsiasi sostituzione di accessori (lama, punte, ecc.), scollegare sempre l'elettrotensile.
17. Togliere sempre le chiavi di regolazione dall'attrezzo. E' buona abitudine controllare sistematicamente che nessuna chiave di regolazione sia più attaccata all'elettrotensile, prima di metterlo in funzione.
18. Evitare che l'elettrotensile possa inavvertitamente essere messo in funzione. Non trasportare gli elettrotensili mantenendo il dito sull'interruttore, mentre sono collegati alla rete. Prima di collegarli, controllare che l'interruttore sia in posizione di spento.
19. Fare uso di cavi di prolungamento per esterni. In questo caso, controllare che il cavo sia adatto per l'uso all'esterno.
20. Stare sempre attenti. Guardare sempre nel punto in cui si esegue il lavoro. Non usare utensili elettrici se si è stanchi.
21. Controllare qualsiasi parte che sembra danneggiata. Prima di riprendere l'uso degli elettrotensili, controllare attentamente che la parte apparentemente danneggiata possa ancora essere usata in modo da assolvere la sua funzione. Controllare che le parti mobili siano nella loro posizione corretta, che nessun pezzo sia rotto, che tutti i pezzi siano montati correttamente, e controllare altri punti importanti per il funzionamento dell'utensile elettrico. Qualsiasi pezzo danneggiato deve essere riparato o sostituito da un Centro Assistenza autorizzato, a meno che dettagliate istruzioni in proposito siano date nel presente manuale. Non usare l'elettrotensile se non può essere acceso o spento per mezzo del suo interruttore.
22. **Attenzione**
L'uso di qualsiasi accessorio o attacco diverso da quelli citati nel presente manuale di istruzioni può presentare il rischio di lesioni alle persone.
23. Far riparare l'elettrotensile da personale qualificato. Questo elettrotensile è in conformità con le relative norme di sicurezza. Le riparazioni devono essere eseguite solo da personale qualificato usando ricambi originali, altrimenti ne possono derivare considerevoli rischi per l'utilizzatore.

PRECAUZIONI PER L'USO DEL TRAPANO

1. Tenere saldamente il trapano durante l'uso.
2. Non usare guanti di materiale che tende ad arrotolarsi, come cotone, lana, panno o spago, ecc.
3. Prima di trapanare in pareti, soffitti o pavimenti, assicurarsi che non siano presenti all'interno cavi elettrici o tubature.

CARATTERISTICHE

Tensione (secondo l'area)*		(110V, 220V, 230V, 240V) ∪	
Alimentazione in ingresso		460W*	
Velocità senza carico		0-2300min ⁻¹	
Capacità mandrino trapano		10 mm	
Capacità	Acciaio	Punta ritorta	10 mm
	Legno	Punta piatta	25 mm
		Punta a trivella	16 mm
Peso (senza filo)		1,3 kg	

*Assicurarsi di controllare la piastrina sul prodotto perché è soggetto a modifiche a seconda delle aree.

ACCESSORI STANDARD

- Chiave mandrino (spec. solo per mandrino imbiettato) 1
- Gli accessori standard possono essere cambiati senza preavviso.

ACCESSORI DISPONIBILI A RICHIESTA (venduti separatamente)

- (1) Maniglia laterale
- (2) Gancio
- (3) Gancio (A)

Gli accessori disponibili a richiesta possono essere cambiati senza preavviso.

IMPIEGHI

- Per l'esecuzione di fori nel metallo, legno e plastica.

PRIMA DELL'USO

1. Alimentazione

Assicurarsi che la rete di alimentazione che si vuole usare sia compatibile con le caratteristiche relative all'alimentazione di corrente specificate nella piastrina dell'apparecchio.

2. Interruttore di corrente

Mettere l'interruttore in posizione OFF. Se la spina è infilata in una presa mentre l'interruttore è acceso, l'utensile elettrico si mette immediatamente in moto, facilitando il verificarsi di incidenti gravi.

3. Prolunga del cavo

Quando l'ambiente di lavoro è lontano da una presa di corrente, usare una prolunga del cavo di sufficiente spessore e di prestazione adeguata. La prolunga deve essere più corta possibile.

4. Selezione della punta trapano appropriata:

- Quando si trapano metallo o plastica
Usare normali punte da trapano per metallo.
- Quando si trapano legno
Usare normali punte da trapano per legno.
Tuttavia, quando si trapanano fori da 6,5 mm o meno, usare una punta da trapano per metallo.

5. Montaggio e smontaggio della punta

Per mandrino imbiettato (Fig. 1)

- (1) Aprire le ganasce del mandrino e inserire la punta nel mandrino.
- (2) Porre la chiave mandrino in ciascuno dei tre fori sul mandrino e girarla in senso orario (visto dal davanti). Serrare saldamente.
- (3) Per rimuovere la punta, porre la chiave mandrino in uno dei fori sul mandrino e girarla in senso antiorario.

Per mandrino senza bietta (Fig. 2)

- (1) Aprire le ganasce del mandrino e inserire la punta nel mandrino.
Per aprire le ganasce del mandrino, trattenere l'anello mentre si gira il collare in senso antiorario (visto dal davanti).
- (2) Tenere saldamente l'anello e girare il collare in senso orario. Serrare saldamente.
- (3) Per rimuovere la punta, tenere saldamente l'anello e girare il collare in senso antiorario.
- (4) Se è difficile allentare il collare, fissare il perno usando la chiave fissa doppia, tenere saldamente il collare e girarlo nella direzione di allentamento (in senso antiorario visto dal davanti). (Fig. 3)

6. Controllo della direzione di rotazione (Fig. 4)

Il trapano ruota in senso orario (visto dal retro) quando si preme il lato R del pulsante. Premere il lato L del pulsante per far girare il trapano in senso antiorario.
(I segni (L) e (R) sono marcati sul corpo.)

7. Installazione della maniglia laterale (Accessorio opzionale)

Una maniglia laterale può essere installata su entrambi i lati dell'utensile per l'uso con la mano destra o con la mano sinistra.
Per installare la maniglia laterale, avvitare nella presa sul lato desiderato del coperchio ingranaggi e serrarla saldamente. (Fig. 6)

8. Applicazione del gancio (accessorio opzionale)

Per il gancio (applicazione sul lato) (Fig. 7)

Fissare saldamente il gancio sul lato desiderato del coperchio ingranaggi usando il bullone M10 allegato al gancio.

Per il gancio (A) (applicazione in cima) (Fig. 8)

Per applicare il gancio (A), è necessario smontare la parte maniglia che copre il sistema elettrico dell'utensile. Per mantenere la vostra sicurezza e la protezione da scosse elettriche, l'installazione del gancio (A), su questo trapano deve essere eseguita SOLO da un CENTRO ASSISTENZA AUTORIZZATO HITACHI.

CAUTELA:

Quando si usa l'utensile elettrico con un gancio fissato ad esso, fare attenzione a quanto segue:

- Prima di agganciare l'unità principale alla cintura, assicurarsi che il trapano si sia fermato completamente.
- Mentre è appeso alla cintura, la spina del cavo di alimentazione deve essere scollegata dalla presa di corrente.
- Non camminare con l'utensile elettrico appeso alla cintura.
- Nel caso di impiego in luoghi alti, è pericolo se il trapano cade accidentalmente. Se il gancio è deformato o appeso in posizione errata, esiste il rischio che il gancio scivoli fuori e il trapano cada. Fare attenzione a evitare il pericolo.
- Quando si trapano un foro di trapassamento, a volte il trapano scuote violentemente quando il pezzo da lavorare viene trapassato, per esempio. Fare attenzione a non rimanere feriti dal gancio in tali situazioni.

MODO DI IMPIEGO**1. Uso dell'interruttore**

- Quando il grilletto è premuto, l'utensile ruota. Quando il grilletto viene rilasciato, l'utensile si ferma.
- La velocità di rotazione del trapano può essere controllata variando la pressione esercitata sul grilletto. La velocità è bassa quando il grilletto interruttore è premuto leggermente e aumenta quando si preme maggiormente.
- La velocità di rotazione desiderata può essere impostata con il comando di velocità. Girare il comando di velocità in senso orario per velocità maggiori o in senso antiorario per velocità inferiori. (Fig. 5)

- Se si preme il grilletto e si spinge il fermo, si può mantenere la condizione attivata, comodo per il funzionamento continuo. Per spegnere, il fermo può essere sbloccata premendo di nuovo il grilletto.

2. Trapanatura

- Quando si trapano, avviare il trapano lentamente e aumentare gradualmente la velocità mentre si procede.
- Applicare sempre pressione in linea retta con la punta. Usare una pressione sufficiente a continuare la trapanatura ma non spingere con forza tale da bloccare il motore o deviare la punta.
- Per ridurre il minimo l'arresto del motore o il trapassamento del materiale, ridurre la pressione sul trapano e lasciare entrare la punta nella parte finale del foro.
- Se il trapano si blocca, rilasciare immediatamente il grilletto, estrarre la punta dal lavoro e ricominciare. Non premere e rilasciare il grilletto per riavviare il

trapano bloccato. Questo potrebbe danneggiare il trapano.

- Quando più grande è il diametro della punta del trapano, tanto maggiore sarà la forza esercitata sul braccio dell'operatore. Fare attenzione a non perdere controllo del trapano a causa di questa forza di reazione. Per mantenere un controllo saldo, piazzare bene i piedi, usare la maniglia laterale, tenere saldamente il trapano con entrambe le mani e assicurarsi che il trapano sia verticale rispetto al materiale da trapanare.

MANUTENZIONE E CONTROLLI**1. Ispezione delle punte trapano**

Poiché l'uso di punte trapano usurate causa problemi di funzionamento del motore e una minore efficienza, sostituire le punte trapano con altre nuove o riaffilarle subito quando si nota usura.

2. Controllo delle punte perforanti e dei maschi

Poiché l'uso continuativo di una punta perforante o di un maschio logorati può diminuire la capacità di funzionamento e provocare eventuali sovraccarichi al motore, sostituire o affilare la punta perforante od il maschio, senza indugio, quando si nota una eccessiva usura.

3. Manutenzione del motore

L'avvolgimento del motore è il vero e proprio "cuore" dell'utensili elettrici. Fare attenzione a non danneggiare l'avvolgimento e/o a non bagnarlo con olio o acqua.

4. Ispezione delle spazzole di carbone

Per Per mantenere la vostra sicurezza e la protezione da scosse elettriche, l'ispezione delle spazzole di carbone e la loro sostituzione su questo utensile deve essere eseguita SOLO da un CENTRO ASSISTENZA AUTORIZZATO HITACHI.

NOTA

A causa del continuo programma di ricerca e sviluppo della HITACHI, le caratteristiche riportate in questo foglio sono soggette a cambiamenti senza preventiva comunicazione.

Informazioni riguardanti i rumori trasmessi dall'aria e le vibrazioni

I valori misurati sono stati determinati in conformità a EN50144.

Il livello di pressione sonora pesato A tipico è di 75 dB (A).

Il valore tipico di accelerazione quadrata media a radice pesato non supera 2,5 m/s².

ALGEMENE VOORZORGMATREGELEN

WAARSCHUWING! Bij gebruik van elektrisch gereedschap moet u altijd de normale basisvoorzorgen voor de veiligheid in acht nemen om de kans op brand, elektrische schokken en letsel te verminderen. Let tevens op de volgende punten.

Lees al de aanwijzingen door alvorens het gereedschap in gebruik te nemen. Bewaar deze aanwijzingen.

Voor een veilige werking:

1. Houd de plaats waar gewerkt wordt schoon. Niet opgeruimde werkplaatsen en werkbanken verhogen het gevaar van ongelukken.
2. Kies een geschikte omgeving om te werken. Stel elektrisch gereedschap niet aan regen bloot. Gebruik elektrisch gereedschap niet op vochtige of natte plaatsen. Zorg dat de werkplaats goed verlicht is. Gebruik elektrisch gereedschap niet op plaatsen waar brand- of explosiegevaar is.
3. Vermijd een elektrische schok. Let er daarom op dat er geen contact is met geaarde oppervlakken zoals pijpen, radiators, keukenfornuis of ijskast.
4. Houd kinderen uit de buurt. Laat bezoekers het gereedschap of snoer niet aanraken. Alle bezoekers moeten een veilige afstand tot de werkplaats aanhouden.
5. Ruim overbodig gereedschap op. Gereedschap dat niet gebruikt wordt moet op een droge, hooggelegen of af te sluiten plaats buiten het bereik van kinderen opgeborgen worden.
6. Forceer het gereedschap niet. Het levert een betere en veiligere prestatie op de snelheid waarvoor zij werd ontworpen.
7. Gebruik het juiste gereedschap. Gebruik een klein gereedschap of hulpstuk niet voor werkzaamheden waarvoor een apparaat met groot vermogen vereist is. Gebruik het gereedschap niet voor doeleinden waarvoor dit niet bestemd is (bijvoorbeeld gebruik van de cirkelzaag voor het zagen van bomen).
8. Draag de juiste kleding. Draag geen loszittende kleren of armbanden e.d. daar deze in de bewegende delen verstrikt kunnen raken. Bij het werken buitenshuis wordt het gebruik van rubber handschoenen en stevige, niet glijdende schoenen aanbevolen.
9. Draag een veiligheidsbril. Ontstaat er veel stof tijdens het werken, draag dan eveneens een gezichtsbeschermer en/of stofmasker.
10. Sluit apparatuur voor het verzamelen van stof aan. Indien apparatuur voor het verzamelen van stof is bijgeleverd, moet u deze apparatuur op de vereiste wijze verbinden en gebruiken zoals wordt beschreven.
11. Behandel het snoer voorzichtig. Draag het gereedschap nooit door dit bij het snoer vast te houden. Bescherm het snoer tegen hitte, olie en scherpe hoeken.
12. Neem de uiterste veiligheid in acht. Gebruik klemmen of een bankschroef om het werkstuk vast te zetten. Hierdoor heeft u uw handen vrij om het gereedschap te bedienen.
13. Buig u nooit te ver naar voren. Kies een goede plaats en behoud altijd uw evenwicht.
14. Behandel het gereedschap voorzichtig. Zorg ervoor dat het gereedschap scherp en schoon is zodat

een goed en veilig prestatievermogen wordt verkregen. Volg de gebruiksaanwijzing voor het smeren en het verwisselen van toebehoren.

Inspecteer de snoeren regelmatig op beschadiging en laat deze zodanig door een erkend servicecenter repareren. Controleer de verlengsnoeren ook regelmatig en vervang deze bij beschadiging. Houd alle handgrepen droog en schoon en vrij van olie en vet.

15. Trek de stekker uit het stopcontact als het gereedschap niet wordt gebruikt en ook bij onderhoudsbeurten, het verwisselen van toebehoren zoals bladen, boren, messen e.d.
16. Verwijder sleutels en moersleutels. Maak er een gewoonte van voor het inschakelen te controleren of alle sleutels en moersleutels verwijderd zijn.
17. Schakel het gereedschap niet onverwacht in. Draag geen aangesloten gereedschap met de vinger op de schakelaar. Controleer altijd of het gereedschap uitgeschakeld staat alvorens dit aan te sluiten.
18. Bij het werken buitenshuis dient een verlengsnoer te worden gebruikt. Gebruik dan alleen verlengsnoeren die geschikt zijn voor het werken buitenshuis en desbetreffend gemerkt zijn.
19. Let altijd goed op tijdens het werken. Kijk uit wat u doet en gebruik het gereedschap niet als u moe bent.
20. Bij beschadiging van een van de onderdelen dient dit nauwkeurig te worden nagekeken en gerepareerd alvorens het gereedschap opnieuw in gebruik wordt genomen. Let erop dat het betreffende onderdeel zijn functie goed vervult. Controleer of de bewegende delen goed zijn gemonteerd en vrij kunnen bewegen. Dit om een foutief functioneren van het gereedschap te voorkomen. Bij de beschadiging van een onderdeel dient de reparatie altijd te worden overgelaten aan een erkend service-center, tenzij in deze gebruiksaanwijzing anders wordt voorgeschreven. Laat ook defekte schakelaars vervangen door een erkend service-center. Gebruik het gereedschap niet als de aan/uit-schakelaar niet werkt.
21. Waarschuwing
Het gebruik van toebehoren of verlengstukken waarvan het gebruik niet in deze gebruiksaanwijzing is aangegeven, veroorzaakt mogelijk letsel.
22. Laat het elektrisch gereedschap door een vakman repareren.
Dit elektrisch gereedschap voldoet aan de vereiste eisen voor de veiligheid. Voorkom mogelijk zeer ernstige ongelukken en laat derhalve reparatie over aan een erkend vakman die de originele reserve-onderdelen gebruikt.

VOORZORGMATREGELEN BATTREFFEN DE HET GEBRUIK DE BOORMACHINE

1. Houd de boor goed vast wanneer u ermee werkt.
2. Draag geen handschoenen van materiaal dat gemakkelijk opstroopt, zoals katoen, wol of andere stof.
3. Voor u in een wand, plafond of vloer gaat boren, moet u eerst controleren of er zich daarin geen elektrische bedrading of andere leidingen bevinden.

TECHNISCHE GEGEVENS

Voltage (kan per gebied verschillen)*		(110V, 220V, 230V, 240V) ~	
Ingangsvermogen		460W*	
Onbelast toerenta		0-2300min ⁻¹	
Grootste boordiameter		10 mm	
Capaciteit	Staal	Spiraalboor	10 mm
	Hout	Spitsboor	25 mm
		Fretboor	16 mm
Gewicht (zonder snoer)		1,3 kg	

*Controleer het naamplaatje op het product zelf, want dit verschilt per gebied.

STANDARD TOEBEHOREN

- Boorkopsleutel
(alleen voor boorkop met sleutel) 1
- De standaard toebehoren kunnen zonder aankondiging op ieder moment worden veranderd.

EXTRA TOEBEHOREN (los te verkrijgen)

- (1) Zijhendel
- (2) Haak
- (3) Haak (A)

De extra toebehoren kunnen zonder aankondiging op ieder moment worden veranderd.

TOEPASSINGSGEBIEDEN

- Boren van gaten in metaal, hout en plastic.

VOOR BEGIN VAN HET WERK

1. Netspanning

Controleren of de netspanning overeenkomt met de opgave op het naamplaatje.

2. Netschakelaar

Controleren of the entschakelaar op "UIT" staat. Wanneer de stekker op het net aangesloten is, terwijl de schakelaar op "AAN" staat, begint het gereedschap onmiddellijk te draaien, hetwelk ernstig gevaar betekent.

3. Verlengsnoer

Wanneer het werkterrein niet in de buurt van een stopcontact ligt, dan moet men gebruik maken van een verlengsnoer, dat voldoende dwarsprofiel en voldoende nominaal vermogen heeft. Het verlengsnoer moet zo kort mogelijk gehouden worden.

4. Kiezen van de juiste boor:

- Wanneer u in metaal of plastic boort
Gebruik normale boren voor metaalbewerking.
- Wanneer u in hout boort
Gebruik normale boren voor houtbewerking. Gebruik echter boren voor metaalbewerking wanneer u een gat van 6,5 mm of kleiner wilt boren.

5. Bevestigen en losmaken van de boor

Voor een boorkop met sleutel (Afb. 1)

- (1) Open de klemmen in de boorkop en steek de boor naar binnen.

- (2) Doe de boorkopsleutel beurtelings in elk van de drie gaten in de boorkop en draai de sleutel met de klok mee (van voren gezien). Zet de boor goed vast.
- (3) Om de boor te verwijderen dient u de boorkopsleutel in een van de gaten in de boorkop te doen en vervolgens tegen de klok in te draaien.

Voor een sleutellose boorkop (Afb. 2)

- (1) Open de klemmen in de boorkop en steek de boor naar binnen. Om de klemmen te openen, dient u de ring vast te houden terwijl u de klembus tegen de klok in draait (van voren gezien).
- (2) Houd de ring stevig vast en draai de klembus met de klok mee. Zet goed vast.
- (3) Om de boor te verwijderen, dient u de ring stevig vast te houden en de klembus tegen de klok in te draaien.
- (4) Als de klembus moeilijk los komt, kunt u met een open sleutel de as vasthouden en vervolgens proberen de klembus los te draaien (tegen de klok in, van voren gezien). (Afb. 3)

6. Controleer de draairichting (Afb. 4)

De boor draait met de klok mee (van achteren gezien) wanneer u op de R-kant van de drukknop drukt.

De L-kant van de drukknop dient u in te drukken als u de boor tegen de klok in wilt laten draaien. (Op de behuizing bevinden zich de (L) en (R) merktekens.)

7. Bevestigen van de zijhendel (Los verkrijgbaar accessoire)

Voor gebruik met de rechter- of linkerhand kan er aan één van beide zijden van het gereedschap een zijhendel gemonteerd worden.

Draai de zijhendel goed vast in het schroefgat aan de gewenste zijde van de behuizing. (Afb. 6)

8. Bevestigen van de haak (los verkrijgbaar accessoire)

Bij gebruik van de haak (aan de zijkant) (Afb. 7)

Zet de haak goed vast aan de gewenste zijde van de behuizing met de M10 bout die wordt meegeleverd met de haak.

Bij gebruik van haak (A) (aan de bovenkant) (Afb. 8)

Om de haak (A) te kunnen bevestigen dient u eerst de behuizing van de handgreep, die de elektrische onderdelen in het binnenwerk van de boormachine afdekt te demonteren. Met het oog op uw veiligheid en om elektrische schokken te voorkomen, mag de

haak (A) op deze machine ALLEEN bevestigd worden door een ERKEND HITACHI SERVICE-CENTRUM.

LET OP:

Wanneer dit elektrisch gereedschap wordt gebruikt met de haak, dient u de volgende punten in acht te nemen:

- Voor u de machine aan uw riem hangt moet u controleren of de boormachine volledig gestopt is. Haal de stekker uit het stopcontact wanneer u de machine aan uw riem hangt.
- Ga niet rondlopen met het elektrisch gereedschap aan uw riem.
- Wanneer u op een verhoging werkt, bestaat het gevaar voor vallende gereedschappen enzovoort. Als de haak verbogen is of verkeerd wordt gebruikt, bestaat het gevaar dat de haak los glipt en het gereedschap naar beneden valt. Wees altijd op uw hoede om dit soort risico's te voorkomen.
- Wanneer u dwars door iets heen boort kan het elektrisch gereedschap soms flink schudden. Wees in een dergelijk voorzichtig dat de haak u niet verwondt.

GEBRUIK

1. Bediening van de schakelaar

- Wanneer u de trekker indrukt, gaat het gereedschap draaien. Wanneer u de trekker loslaat, stopt het gereedschap.
- Het toerental van de boormachine regelt u door de trekker meer of minder in te drukken. Het toerental is laag als u de trekker minder indrukt, en neemt toe naarmate u de trekker verder indrukt.
- U kunt van tevoren het gewenste toerental instellen met de toerentalregeling. Draai de toerentalregeling met de klok mee voor een hoger toerental, of tegen de klok in voor een lager toerental. (Afb. 5)
- Als u de trekker indrukt en vervolgens de vergrendeling gebruikt, zal de boormachine met het ingestelde toerental blijven draaien. Druk de trekker nog eens een beetje in om de vergrendeling op te heffen en de boormachine uit te kunnen schakelen.

2. Boren

- Bij het boren dient u langzaam te beginnen en het toerental geleidelijk op te voeren.
- Oefen altijd uitsluiten druk uit in het verlengde van de boor. Gebruik voldoende druk om voortgang te boeken, maar niet zo veel dat de boormachine vastloopt of de boor verbuigt of breekt.
- Om vastlopen en breuk van het materiaal te voorkomen, dient u de druk op de boor te verminderen naarmate u het eind nadert.
- Als de boor vastloopt, moet u onmiddellijk de trekkerschakelaar los laten, vervolgens dient u de boor uit het materiaal te verwijderen en opnieuw te beginnen. Probeer niet de boor met de trekkerschakelaar herhaaldelijk aan en uit te zetten, want hierdoor kan de boor beschadigd worden.
- Hoe groter de boordiameter, hoe groter de torsiekrachten op uw arm. Wees voorzichtig dat u de controle over de boormachine niet verliest door deze torsiekrachten.

Om de machine onder controle te kunnen houden, dient u ervoor te zorgen dat u stevig staat, dient

u de zijhendel te gebruiken, de boormachine stevig met beide handen vast te houden en dient u ervoor te zorgen dat de boor verticaal op het te boren materiaal staat.

ONDERHOUD EN INSPECTIE

1. Inspecteren van de boren

Omdat gebruik van versleten boren tot motorstoringen en verminderde doelmatigheid kan leiden, dient u versleten boren te vervangen door nieuwe, of te slijpen zodra u merkt dat ze bot geworden zijn.

2. Inspectie van de boor en schroefdraadsnijder

Aangezien het verder gebruiken van een versleten boor of schroefdraadsnijder het bedrijfsvermogen vermindert en eventueel een overbelasting van de motor kan veroorzaken, moet de boor of schroefdraadsnijder meteen vervangen of geslepen worden, wanneer een bovenmatige slijtage wordt waargenomen, wanneer een bovenmatige slijtage wordt vastgesteld.

3. Onderhoud van de motor

De motorwikkeling is het "hart" van het elektrische gereedschap. Er moet daarom bijzonder zorgvuldig op gelet worden, dat de wikkeling niet beschadigd en/of met olie of water bevochtigd wordt.

4. Inspecteren van de koolborstels

Met het oog op uw veiligheid en om elektrische schokken te voorkomen, mag inspectie en vervanging van de koolborstels ALLEEN uitgevoerd worden door een ERKEND HITACHI SERVICE-CENTRUM.

AANTEKENING

Op grond van het voortdurende research-en ontwikkelingsprogramma van HITACHI zijn veranderingen van de hierin genoemde technische opgaven voorbehouden.

Informatie betreffende luchtgeluid en trillingen

De gemeten waarden zijn verkregen overeenkomstig EN50144.

Het doorsnee A-gewogen geluiddrukknivo is 75 dB (A).

Draag gehoorbescherming.

De doorsnee gewogen effectieve acceleratiewaarde is gelijk aan of minder dan 2,5 m/s².

PRECAUCIÓN ES GENERAL ES PARA OPERACIÓN

¡ADVERTENCIA! Cuando utilice herramientas eléctricas, tome las medidas de seguridad básicas para reducir el riesgo de incendios, descargas eléctricas, y lesiones, incluyendo lo siguiente. Lea todas todas estas instrucciones antes de utilizar este producto y guárdelas. Para realiza operaciones seguras:

- Mantener el área de trabajo limpia, áreas y bancos de trabajo desordenados son causa de da ños personales.
- Considerar el medio ambiente del área de trabajo. No exponer las herramientas eléctricas a la lluvia. No usar herramientas eléctricas en lugares mojados o húmedos. Mantener el área de trabajo bien iluminada.
- No utilice herramientas eléctricas cuando exista el riesgo de incendios o de explosión.
- Protegerse contra descargas eléctricas. Evitar el contacto del cuerpo con las superficies puestas a tierra. (p. ej., tubos, radiadores, hornos de microondas, o refrigeradores.)
- Mantener a los ni ños alejados. No dejar que los visitantes toquen las herramientas ni los cables de extensión. Todos los visitantes deberán mantenerse alejados del área de trabajo.
- Guardar las herramientas que no se usen y ponerlos en lugares secos, altos o cerrados, fuera del alcance de los ni ños.
- No forzar las herramientas, éstas trabajarán más y con mayor seguridad cuando cumplan con las especificaciones para las cuales fueron diseñadas.
- Usar las herramientas apropiadas. No forzar pequeñas herramientas o accesorios a realizar el trabajo de herramientas de mayor potencia. No utilizar herramientas para otros propósitos para los cuales no fueron dise ñadas, por ejemplo, no utilizar sierras circulares para cortar ramas de árboles o troncos.
- Vestir apropiadamente. No ponerse ropas que queden flojas ni tampoco joyas. Estas podrian quedar atrapadas en las partes móviles de las herramientas. Cuando se trabaje en exteriores, se recomienda el uso de guantes de goma y calzado que no resbale.
- Usar gafas de protección. Usar también mascarillas contra el polvo si las condiciones de corte fuesen polvorientas.
- Conecte un equipo colector de polvo. Si existen dispositivos para la conexión de equipos de extracción y recolección de polvo, cerciórese de que éstos estén conectados adecuadamente, y de utilizarlos en la forma correcta.
- Cuidar del cable. Nunca lleve las herramientas colgando del cable, tampoco tire del cable para efectuar la desconexión de las herramientas. Mantener el cable alejado del calor, aceite y bordes agudos.
- Asegurar la pieza de trabajo usando para ello abrazaderas o un tornillo. Esto es más seguro que usar las manos, ademas, ambas manos quedan libres para operar la herramienta.
- No extenderse excesivamente para efectuar un trabajo. Mantener en todo momento un buen balance y base de apoyo.
- Mantener cuidadosamente las herramientas. Tener las siempre limpias y afiladas para obtener un mejor rendimiento y un funcionamiento más seguro. Seguir siempre las instrucciones para la lubricación y el cambio de accesorios. Inspeccionar periódicamente los cables de las herramientas y si estuviesen da ñados, hacer que los reparen

técnicos ó expertos. Inspeccionar periodicamente los cables de extensión y cambiarlos si estuviesen da ñados. Mantener los mangos secos, limpios, y libres de aceite y grasa.

- Desconectar las herramientas cuando no se usen, antes de repararlas, y cuando se cambien accesorios como por ejemplo, cuchillas, brocas, cortadores, etc.
- Quitar las cuñas y las llaves de tuercas. Acostumbrarse a comprobar si se han quitado las cuñas y las llaves de tuercas antes de poner las herramientas en funcionamiento.
- Evitar puestas en funcionamiento sin fin alguno. No llevar las herramientas con los dedos en los interruptores mientras que éstas están conectadas. Cuando se conecten las herramientas, cerciorarse de que los interruptores esten en la posición de desconectados.
- Para usos en exteriores usar cables de extensión. Cuando las herramientas vayan a ser usadas en exteriores, usar solamente cables de extensión diseñados para tal propósito.
- Estar siempre alerta y poner atención a lo que se está haciendo, usar el sentido común y no operar con la herramienta cuando se esté cansado.
- Comprobar las piezas dañadas. Antes de seguir con el funcionamiento de las herramientas, las piezas que estén dañadas deberán comprobarse cuidadosamente para determinar si pueden funcionar apropiadamente y cumplir con la función para las que fueron dise ñadas. Comprobar el alineamiento y agarrotamiento de piezas móviles, rotura de piezas, montura, y cualquier otra anomalía que pudiese afectar al rendimiento de la herramienta. Cualquier pieza que estuviese da ñada deberá repararse apropiadamente o cambiarse en un centro de reparaciones autorizado, al menos que se indique, lo contrario en este manual de instrucciones. Procurar que los interruptores defectuosos los cambie un centro de reparaciones autorizado. No usar las herramientas si sus interruptores no funcionasen apropiadamente.
- Advertencia
La utilización de cualquier accesorio o aditivo no recomendado en este manual de instrucciones puede conducir al riesgo de lesiones.
- En caso de avería, haga que su herramienta sea reparada por un técnico cualificado.
Esta herramienta eléctrica está de acuerdo con los requisitos de seguridad pertinentes. Las reparaciones solamente deberán realizarlas técnicos cualificados utilizando piezas de repuesto originales. De lo contrario, el usuario podría lesionarse.

PRECAUCIONES AL UTILIZAR EL TALADRO

- Sujete firmemente el taladro durante el uso.
- No utilice guantes hechos de un material que se pueda enrollar, como algodón, lana, paño, cordón, etc.
- Antes de taladrar paredes, techos o pisos, asegúrese de que no hayan cables o conductos eléctricos en el interior.

ESPECIFICACIONES

Voltaje (por áreas)*		(110V, 220V, 230V, 240V) ∩	
Acometida		460W*	
Velocidad de marcha en vacío		0-2300min ⁻¹	
Capacidad del portabrocas		10 mm	
Capacidad	Acero	Broca de torsión	10 mm
	Madera	Broca de horquilla plana	25 mm
		Broca de berbiquí	16 mm
Peso (sin cable)		1,3 kg	

*Verificar indefectiblemente los datos de la placa de características de la máquina, pues varían de acuerdo al país de destino.

ACCESORIOS ESTANDAR

- Velvedor de mandril (Especificación sólo para portabrocas con llave) 1
- Accesorios estándar están sujetos a cambio sin previo aviso.

ACCESORIOS FACULTATIVOS

(de venta por separado)

- (1) Asa lateral
- (2) Gancho
- (3) Gancho (A)

Accesorios facultativos están sujetos a cambio sin previo aviso.

APLICACIONES

- Por acción de orificios en metal, madera y plástico.

ANTES DE LA PUESTA EN MARCHA

1. Alimentación

Asegurarse de que la acometida de red que ha de ser utilizada es conforme a las exigencias de corriente especificadas en la placa de características del producto.

2. Conmutador de alimentación

Asegurarse de que el conmutador de acometida está en posición OFF (desconectado). Si el enchufe está conectado a la caja del enchufe mientras el conmutador de acometida está en posición ON (conectado) la herramienta eléctrica empezará a trajar inmediatamente, provocando un serio accidente.

3. Cable de prolongación

Cuando está alejada el área de trabajo de la red de acometida, usar un cable de prolongación de un grosor suficiente y potencia nominal. El cable de prolongación debe ser mantenido o más corto posible.

4. Seleccionar la broca de taladro apropiada

- Perforando metal o plástico
- Usar una broca de taladro ordinaria para trabajos en metal.

- Perforando madera

Usar una broca de taladro ordinaria para trabajos en madera. En cualquier caso, perforando orificios de 6,5 mm, o menos, usar una broca de taladro para trabajos en metal.

5. Montaje y desmontaje de la broca

Para portabrocas con llave (Fig. 1)

- (1) Abra las mordazas del portabrocas e inserte la broca en el portabrocas.
- (2) Coloque la llave del portabrocas en cada uno de los tres orificios del portabrocas, y gírela en el sentido de las agujas del reloj (visto desde el lado delantero). Apriete firmemente.
- (3) Para sacar la broca, coloque la llave del portabrocas en uno de los orificios del portabrocas y gírela en el sentido contrario a las agujas del reloj.

Para portabrocas sin llave (Fig. 2)

- (1) Abra las mordazas del portabrocas e inserte la broca en el portabrocas.
Para abrir las mordazas del portabrocas, sujete el anillo mientras gira el manguito en el sentido contrario a las agujas del reloj (visto desde el lado delantero).
- (2) Sujete el anillo firmemente y gire el manguito en el sentido de las agujas del reloj. Apriete firmemente.
- (3) Para sacar la broca, sujete el anillo firmemente y gire el manguito en el sentido contrario a las agujas del reloj.
- (4) Si no consigue aflojar el manguito, fije el husillo utilizando una llave fija, sujete el manguito firmemente y gírela en la dirección de aflojamiento (en sentido contrario a las agujas del reloj visto desde adelante). (Fig. 3)

6. Verifique la dirección de rotación (Fig. 4).

La broca gira en el sentido de las agujas del reloj (visto desde el lado trasero) empujando el lado R del botón.

Si empuja el lado L del botón, la broca girará en sentido contrario a las agujas del reloj.

(Las marcas (L) y (R) están provistas en el cuerpo).

7. Instalación del asa lateral (Accesorio opcional)

Es posible insertar un asa lateral sobre uno u otro lado de la herramienta, según que el usuario sea diestro o zurdo.

Para instalar el asa lateral, enrósquelo en el casquillo del lado deseado de la cubierta de engranajes, y apriételo firmemente. (Fig. 6)

8. Fijación del gancho. (Accesorio opcional)

Para el gancho (fijación lateral) (Fig. 7)

Fije firmemente el gancho sobre el lado deseado de la cubierta de engranajes utilizando el perno M10 entregado con el gancho.

Para el gancho (A) (fijación superior) (Fig. 8)

Para fijar el gancho (A), es necesario desarmar la parte del asa que cubre el sistema eléctrico de la herramienta. Para poder utilizar la herramienta en condiciones de seguridad y evitar las descargas eléctricas, la instalación del gancho (A) de este taladro debe ser realizado SÓLO por un CENTRO DE SERVICIO AUTORIZADO HITACHI.

PRECAUCIÓN

Cuando utilice la herramienta eléctrica con un gancho fijado, preste atención a los puntos siguientes:

- Antes de colgar la unidad del cinturón, cercióreos de que el taladro esté completamente parado. Cuando tenga el taladro colgado del cinturón, el enchufe de alimentación deberá estar desconectado de la fuente de alimentación.
- Ne camine con la herramienta eléctrica colgada del cinturón.
- Cuando trabaje en un lugar elevado, será peligroso el dejar caer accidentalmente la herramienta. Si el gancho está deformado o en posición errónea, existe el peligro de que se deslice y que se caiga la herramienta. Tenga cuidado para evitar peligros.
- Cuando taladre orificios, es posible que la herramienta sufra sacudidas violentas cuando, por ejemplo, se parta la pieza de trabajo. Tenga cuidado de no herirse con el gancho en caso de ocurrir esta situación.

COMO SE USA

1. Operación del interruptor

- La herramienta gira al presionar el interruptor de gatillo. Al soltar el gatillo, la herramienta se detiene.
- La velocidad de rotación del taladro puede controlarse variando la fuerza de apriete del interruptor de gatillo. Apretando ligeramente el interruptor de gatillo la velocidad es lenta, pero aumenta mientras más se lo aprieta.
- Es posible seleccionar previamente la velocidad de rotación deseada con el dial de control de velocidad. Gire el dial de control de velocidad en el sentido a las agujas del reloj para aumentar la velocidad, y en sentido contrario para disminuirla. (Fig. 5).
- Tire del gatillo y empuje el tope para mantener activada la alimentación, lo cual es conveniente para un funcionamiento continuo. Cuando se lo desconecta, el tope puede quitarse tirando del gatillo otra vez.

2. Taladrado

- Para taladrar, inicie el taladro lentamente, y aumente gradualmente la velocidad.
- Siempre aplique presión en línea recta a la broca. Aplique una presión suficiente para seguir taladrando, pero no empuje con una fuerza tal que

pueda provocar el calado del motor o la desviación de la broca.

- Para reducir al mínimo el calado o la rotura a través del material, disminuya la presión aplicada al taladro y mueva la broca a través de la última parte del orificio.
- Si el taladro se atasca, suelte inmediatamente el gatillo, saque la broca de la pieza de trabajo y empiece otra vez. No haga clic en el gatillo para conectarlo y desconectarlo con la intención de poner en marcha el taladro atascado, pues se podrá dañar el taladro.
- Cuanto mayor sea el diámetro de la broca de taladro, mayor será la fuerza de reacción sobre su brazo. Asegúrese de no perder el control del taladro debido a esta fuerza de fricción. Para mantener un control firme, haga pie firme, utilice el asa lateral, sujete el taladro firmemente con ambas manos, y asegúrese de mantener el taladro vertical con respecto al material que se está taladrando.

MANTENIMIENTO E INSPECCION

1. Inspección de las brocas de barrena

Debido a que el uso de brocas de barrena desgastadas producen fallos de funcionamiento del motor y una disminución de la eficiencia, cámbielas inmediatamente por otras nuevas o reafilelas cuando note abrasión en las mismas.

2. Inspeccionar la broca de taladro y el macho de roscar

Como el uso continuado de una broca o macho de roscar desgastados disminuye la eficiencia operativa y causa un posible recalentamiento del motor, reemplazar o afilar la broca o el macho sin demora si se nota un excesivo desgaste.

3. Mantenimiento d motor

La unidad de devanado del motor es el verdadero "corazón" del herramientas eléctricas. Prestar el mayor cuidado a asegurarse de que el devando no se dañe y/o se humedezca con aceite o agua.

4. Inspección de las escobillas

Por motivos de seguridad contra descargas eléctricas, la inspección y el reemplazo de las escobillas deberán realizarse SOLAMENTE en un CENTRO DE SERVICIO AUTORIZADO POR HITACHI.

OBSERVACION

Debido al programa continuo de investigación y desarrollo de HITACHI estas especificaciones están sujetas a cambio sin preaviso.

Informacion sobre el ruido propagado por el aire y vibracion

Los valores medidos fueron determinados de acuerdo con EN50144.

El nivel de presión acústica de ponderación A típico es de 75 dB (A).

Utilice protectores para los oídos.

El valor de aceleración de ponderación media cuadrática típico no sobrepasa 2,5 m/s².

PRECAUÇÕES GERAIS QUANTO À OPERAÇÃO

ATENÇÃO! Ao utilizar ferramentas elétricas, observe determinadas medidas básicas de segurança, para se evitar o risco de incêndio, choques elétricos e acidentes pessoais, inclusive os que se seguem.

Leia todas estas instruções antes de utilizar este equipamento, conservando-as depois em seu poder.

Para operações seguras:

1. Mantenha o local de trabalho arrumado. A desordem no local de trabalho pode ser motivo de acidente.
2. Leve em consideração o ambiente que o rodeia. Não exponha as ferramentas elétricas à chuva. Não utilize ferramentas elétricas em locais úmidos ou molhados. Trabalhe em local bem iluminado. Não utilize ferramentas elétricas em locais onde haja risco de incêndios ou explosões.
3. Evite choques elétricos. Evite o contato com superfícies ligadas à terra. (p.ex. tubos, radiadores, fogões, refrigeradores).
4. Mantenha as crianças afastadas. Não deixe que terceiros toquem na ferramenta ou no cabo elétrico. Não permita que crianças permaneçam no local de trabalho.
5. Guarde as ferramentas que não estão sendo utilizadas. As ferramentas que não estão sendo utilizadas devem ser guardadas em local seco, alto ou fedrado, fora do alcance de crianças.
6. Não sobrecarregue a ferramenta. O trabalho será melhor e mais seguro se forem observados os limites indicados para cada ferramenta.
7. Utilize ferramentas apropriadas. Não use ferramentas pequenas ou acessórios para trabalhos pesados. Não empregue ferramentas em trabalhos e para fins a que não se destinam; não se sirva, por exemplo, de uma serra circular manual para cortar galhos ou troncos de árvores.
8. Escolha vestuário apropriado para o trabalho. Não use roupas largas ou jóias, pois podem prender-se em alguma peça móvel. Nos trabalhos externos aconselha-se o uso de luvas de borracha e sapatos que não escorreguem. Se tiver cabelo comprido, prenda-os com uma rede.
9. Utilize óculos de proteção. Coloque também máscara para o rosto ou contra a poeira durante os trabalhos que propiciam a formação de pó.
10. Conecte equipamento de extração de poeira. Se forem fornecidos dispositivos para a conexão de equipamentos de extração de poeira e aspirador de pó certifique-se de que estão conectados e usados de maneira apropriada.
11. Não force o cabo elétrico. Nunca transporte a ferramenta pelo cabo e não o puxe para tirar o plugue da tomada. Proteja o cabo contra o calor e evite o seu contato com óleo e objetos cortantes.
12. Mantenha fixa a peça a trabalhar. Utilize dispositivos de fixação ou uma morsa para prender a peça a trabalhar. É mais seguro do que a fixação manual e permite manejar a ferramenta com ambas as mãos.
13. Controle sua posição. Escolha uma posição segura e mantenha sempre o equilíbrio.
14. Efetue uma manutenção cuidadosa das ferramentas. Tenha as ferramentas sempre afiadas e limpas para que possa trabalhar bem e em segurança. Siga as instruções para lubrificação e troca de acessórios. Inspeccione periodicamente os

cabos elétricos da ferramenta e, se estiverem danificados, mande-os para conserto nas oficinas autorizadas. Mantenha as empunhaduras secas, limpas e livres de óleo e graxa.

15. Não mantenha a ferramenta ligada à rede. Quando não estiver em uso ou ao trocar de acessório como, por exemplo, cortadores, brocas e lâminas, mantenha a máquina desligada da rede.
16. Retire as chaves de ajuste. Habitue-se a verificar se as chaves de ajuste foram retiradas da ferramenta antes de fazer a ligação.
17. Evite ligações despropositadas. Não transporte ferramentas ligadas à corrente com o dedo colocado no interruptor de comando. Antes de ligar a ferramenta à rede, certifique-se de que o interruptor de comando está desligado.
18. Utilize cabos de extensão para uso externo. Ao ar livre, utilize apenas um cabo de extensão próprio para este fim.
19. Mantenha-se sempre alerta. precaução. Ao sentir-se cansado, não utilize a ferramenta.
20. Verifique se as peças apresentam danos. Antes de continuar a utilizar a ferramenta, verifique cuidadosamente se os dispositivos de proteção e peças que apresentam pequenos danos estão operacionais. Veja se as peças móveis estão alinhadas, se movimentando com fluência, se existem peças danificadas, se estão perfeitamente montadas ou se existem quaisquer outros problemas que possam afetar sua operação. Todas as peças e dispositivos de proteção que não estejam funcionando perfeitamente devem ser consertados ou substituídos numa oficina autorizada, a menos que haja indicações contrárias nestas instruções de uso. Não utilize a ferramenta se o interruptor não ligar nem desligar.
21. Atenção
A utilização de quaisquer acessórios ou aparelhos adicionais que não se encontrem nestas instruções de uso podem apresentar riscos de acidentes pessoais.
22. Utilize os serviços de pessoas qualificadas. Esta ferramenta elétrica está de acordo com os requisitos de segurança relevantes. Os consertos devem ser apenas realizados por pessoal qualificado, utilizando peças sobressalentes originais. Caso contrário, o usuário pode estar correndo um risco considerável.

PRECAUÇÕES NO USO DA BERBEQUIM

1. Quando em uso, segure o berbequim com firmeza.
2. Não use luvas feitas com material que possa se enrolar como, por exemplo, algodão, tecido ou malha, etc.
3. Antes de furar paredes, tetos ou chão, certifique-se de que não existam cabos ou condutos elétricos nesses locais.

ESPECIFICAÇÕES

Voltagem (por áreas)*		(110V, 220V, 230V, 240V) ∩	
Potência de entrada		460W*	
Rotação sem carga		0–2300min ⁻¹	
Capacidade do mandril		10 mm	
Capacidade	Aço	Broca Helicoidal	10 mm
	Madeira	Broca de lâmina plana	25 mm
		Verruma	16 mm
Peso (sem o cabo elétrico)		1,3 kg	

*Não deixe de verificar a voltagem na placa identificadora constante do produto, pois ela está sujeita a mudanças conforme a área.

ACESSÓRIOS-PADRÃO

- Chave de Mandril
(Esp. apenas para mandril chaveado) 1
- Os acessórios-padrão estão sujeitos a mudanças sem aviso prévio.

ACESSÓRIOS OPCIONAIS

(vendidos separadamente)

- (1) Elemento angular
 - (2) Gancho
 - (3) Gancho (A)
- Os acessórios opcionais estão sujeitos a mudanças sem aviso prévio.

APLICAÇÕES

- Fazer furos em metal, madeira e plástico.

ANTES DA OPERAÇÃO

- 1. Fonte de energia**
Certifique-se de que a fonte de energia a ser utilizada está conforme às exigências especificadas na placa identificadora do produto.
- 2. Interruptor**
Certifique-se de que o interruptor está na posição desligada. Se o plugue estiver conectado a um receptáculo quando o interruptor estiver ligado, a ferramenta elétrica vai começar a operar imediatamente, podendo provocar um grave acidente.
- 3. Cabo de extensão**
Quando o local de trabalho não possui uma fonte de energia, utilize um cabo de extensão de espessura e de potência nominal suficientes. A extensão deve ser mantida tão curta quanto possível.
- 4. Seleção da broca apropriada:**
 - Para fazer furos em metal ou plástico
Use brocas comuns para trabalhos em metal.
 - Para fazer furos na madeira
Use brocas comuns para trabalhos em madeira. No entanto, ao fazer furos de 6,5 mm ou menores, utilize uma broca para metal.

5. Montagem e desmontagem da broca

Para mandril chaveado (Fig. 1)

- (1) Abra o mordente e insira a broca no mandril.
- (2) Coloque a chave do mandril em cada um dos três orifícios no mandril e gire-a no sentido horário (visto de cada lado frontal). Aperte bem.
- (3) Para retirar a broca, coloque a chave do mandril em cada um dos orifícios no mandril e gire-a no anti-horário.

Para mandril sem chave (Fig. 2)

- (1) Abra o mordente e insira a broca no mandril.
Para abrir o mordente, segure o anel ao mesmo tempo que gira o manguito no sentido anti-horário (visto do lado frontal).
- (2) Segure firmemente o anel e gire o manguito no sentido horário. Aperte bem.
- (3) Para retirar a broca, segure firmemente o anel e gire o manguito no sentido anti-horário.
- (4) Se for muito difícil de afrouxar o manguito, fixe o eixo usando uma chave de ponta aberta, segure o manguito firmemente e gire-o na direção do afrouxamento (sentido anti-horário visto de frente). (Fig. 3)

6. Verifique a direção de rotação (Fig. 4)

A broca gira no sentido horário (vista a partir do lado de trás) ao se apertar o lado direito (R) da tecla. Aperta-se o lado esquerdo (L) da tecla para fazer com que a broca gire no sentido anti-horário. (As marcas (L) e (R) estão gravadas no corpo da ferramenta.)

7. Instalação da empunhadura lateral (Acessório opcional)

A empunhadura lateral pode ser instalada em qualquer dos lados da ferramenta para uso de destros ou de canhotos.
Para instalar a empunhadura lateral, enrosque-a no encaixe no lado desejado da tampa da engrenagem, apertando-a bem. (Fig. 6)

8. Para prender o gancho. (Acessório opcional)

Para o gancho (preso lateralmente) (Fig. 7)

Prenda o gancho firmemente no lado desejado da tampa da engrenagem usando para tanto o parafuso M10 fornecido.

Para o gancho (A) (preso no alto) (Fig. 8)

Para prender o gancho (A), é necessário desmontar a parte da empunhadura que protege o sistema elétrico da ferramenta. Para sua segurança contínua e para proteção contra choques elétricos, a instalação do gancho (A) neste berbequim deve ser feita APENAS numa OFICINA AUTORIZADA DA HITACHI.

CUIDADO:

Quando a ferramenta elétrica for usada com um gancho preso nela, preste atenção aos seguintes pontos:

- Antes de prender a unidade principal no cinto, certifique-se de que a furadeira está completamente desativado. Enquanto ele estiver pendurada no cinto, o plugue deve estar desconectado da fonte de eletricidade.
- Não ande com a ferramenta elétrica presa no cinto.
- No caso de utilizar a ferramenta num local alto, é perigoso deixar cair acidentalmente a ferramenta. Se o gancho estiver deformado ou suspenso numa posição errada há perigo de que ele escorregue e a ferramenta caia.
- Tome cuidado para evitar riscos.
- Ao fazer um furo, a ferramenta elétrica às vezes balança violentamente, por exemplo, ao furar uma peça. Neste caso, tome cuidado para não se ferir com o gancho.

MODO DE USAR**1. Acionamento do interruptor**

- Ao se pressionar o gatilho, a ferramenta entra em rotação. Ao se soltar o gatilho, ela pára.
- A velocidade de rotação do berbequim pode ser controlada variando-se a pressão sobre o interruptor de gatilho. A velocidade é baixa quando o interruptor de gatilho for levemente pressionado e aumenta à medida em que a pressão cresce.
- A velocidade de rotação desejada pode ser pré-selecionada no dial de controle de velocidade. Gire o dial de controle de velocidade no sentido horário para velocidades maiores e no sentido anti-horário para velocidades baixas. (Fig. 5)
- Ao puxar o gatilho e empurrar o botão de parada, mantém-se a condição de acionamento conveniente para um trabalho contínuo. Ao desligar, o botão de parada pode ser desconectado pressionando-se outra vez o gatilho.

2. Para fazer furos

- Ao fazer furos, comece lentamente e aumente gradualmente a velocidade à medida em que trabalha.
- Aplique sempre pressão com a broca em linha reta. Utilize pressão suficiente para continuar a perfurar, mas não aperte demais fazendo o motor parar ou a broca se desviar.
- Para minimizar a paralização ou ruptura do material, reduza a pressão no berbequim e relaxe a broca na última parte do orifício.
- Se a furadeira parar, solte o gatilho imediatamente, retire a broca da peça em que está trabalhando e recomece o trabalho. Não clique o gatilho para ligar e desligar numa tentativa de dar a partida no berbequim paralizado. Fazer isto pode danificar o berbequim.

- Quanto maior for o diâmetro da broca, maior será a força de reação no seu braço. Para manter um controle firme, arranje um bom ponto de apoio para os pés, use a empunhadura lateral, segure bem a furadeira com ambas as mãos, e se certifique de que a broca está na posição vertical em relação ao material que está sendo perfurado.

MANUTENÇÃO E INSPEÇÃO**1. Inspeção das brocas**

Como o emprego de brocas esmerilhadas pode causar mau funcionamento do motor e diminuir a eficiência, ao notar desgaste nas brocas, substitua-as por novas ou mande-as afiar sem demora.

2. Inspeção dos parafusos de montagem

Inspeccione regularmente todos os parafusos de montagem e se certifique de que estão corretamente apertados. Se algum deles estiver frouxo, reaperte-o imediatamente. Caso isso não seja feito, pode resultar em perigo grave.

3. Manutenção do motor

A unidade de enrolamento do motor é o verdadeiro "coração" da ferramenta elétrica. Cuide bem para assegurar que o enrolamento não se danifique e/ou se molhe com óleo ou água.

4. Inspeção das escovas de carvão

Para sua segurança duradoura e proteção contra choques elétricos, a inspeção das escovas de carvão e a substituição delas nesta ferramenta deve ser feita APENAS numa OFICINA AUTORIZADA DA HITACHI.

NOTA

Devido ao contínuo programa de pesquisa e desenvolvimento da HITACHI, as especificações aqui contidas estão sujeitas a mudanças sem aviso prévio.

Informação a respeito de ruídos e vibração do ar

Os valores medidos foram determinados de acordo com EN50144.

Nível típico de pressão sonora de peso A: 75 dB (A).

Use protetores de ouvido.

Valor típico da aceleração quadrada média da raiz ponderada: 2,5 m/s².

ΓΕΝΙΚΑ ΜΕΤΡΑ ΑΣΦΑΛΕΙΑΣ ΚΑΤΑ ΤΗ ΛΕΙΤΟΥΡΓΙΑ

ΚΙΝΔΥΝΟΣ! Κατά τη χρήση ηλεκτρικών εργαλείων, τα βασικά μέτρα ασφαλείας πρέπει πάντοτε να ακολουθούνται για την ελάττωση του κινδύνου της πυρκαγιάς, της ηλεκτροπληξίας και του ατομικού τραυματισμού, συμπεριλαμβανομένων των παρακάτω. Διαβάστε όλες αυτές τις οδηγίες πριν θέσετε σε λειτουργία αυτό το προϊόν και φυλάξτε αυτές τις οδηγίες.

Για ασφαλείς λειτουργίες:

1. Διατηρήστε τον χώρο εργασίας καθαρό. Οι ακατάστατοι χώροι και πάγκοι εργασίας έχουν την τάση να προκαλούν τραυματισμούς.
2. Λάβετε υπόψην το περιβάλλον εργασίας. Μην εκθέσετε τα ηλεκτρικά εργαλεία στη βροχή. Μην χρησιμοποιήσετε ηλεκτρικά εργαλεία σε υψομέτρους ή υγρές περιοχές. Κρατήστε το χώρο εργασίας καλά φωτισμένο. Μην χρησιμοποιήσετε τα ηλεκτρικά εργαλεία σε χώρο όπου υπάρχει κίνδυνος φωτιάς ή έκρηξης.
3. Φυλαχτείτε ενάντια στην ηλεκτροπληξία. Αποφύγετε την σωματική επαφή με γειωμένες επιφάνειες. (π.χ. σωλήνες, θερμάστρες, μαγειρικές συσκευές, ψυγεία).
4. Κρατήστε τα παιδιά μακριά. Μην αφήνετε τους επισκέπτες να ακιζούν το εργαλείο ή το καλώδιο προέκτασης. Όλοι οι επισκέπτες πρέπει να κρατούνται μακριά από το χώρο εργασίας.
5. Αποθηκεύστε τα εργαλεία που δεν βρίσκονται σε λειτουργία. Όταν δεν χρησιμοποιούνται τα εργαλεία πρέπει να αποθηκεύονται σε ένα χώρο που είναι στεγνός, βρίσκεται σε μια υψηλή θέση ή είναι κλειδωμένος, μακριά από τη πρόσβαση των παιδιών.
6. Μην ασκήσετε βία στο εργαλείο. Θα πραγματοποιήσει την εργασία καλύτερα και με μεγαλύτερη ασφάλεια στο ρυθμό για τον οποίο σχεδιάστηκε.
7. Χρησιμοποιήστε το κατάλληλο εργαλείο. Μην προσπαθήσετε βίαια με μικρά εργαλεία ή προσαρτήματα να κάνετε τη δουλειά ενός εργαλείου σχεδιασμένο για βαριές δουλειές. Μην χρησιμοποιήσετε εργαλεία για δουλειές για τις οποίες δεν προορίζονται. Για παράδειγμα μην χρησιμοποιήσετε ένα κόφτη για να κόψετε κλαδιά δέντρου ή κούτσουρα.
8. Ντυθείτε κατάλληλα. Μην φοράτε φαρδιά ρούχα ή κοσμήματα, αυτά μπορούν να πιαστούν στα μετακινούμενα μέρη. Λαστιγένια γάντια και μη ολισθηρά υποδήματα συνιστώνται όταν εργάζεστε σε εξωτερικούς χώρους. Φορέστε ένα προστατευτικό κάλυμμα μαλλιών για να καλύψετε τα μακριά μαλλιά.
9. Χρησιμοποιήστε προστατευτικό ματιών. Επίσης χρησιμοποιήστε μάσκα προσώπου ή σκόνης αν η εργασία της κοπής θα προκαλέσει σκόνη.
10. Συνδέστε ένα εξάρτημα εξαγωγής σκόνης. Αν παρόντων τα εξάρτημα για την σύνδεση των συσκευών εξαγωγής και συλλογής σκόνης σιγουρευτείτε ότι αυτά είναι συνδεδεμένα και ότι χρησιμοποιούνται κατάλληλα.
11. Μην χρησιμοποιήσετε βία στο καλώδιο. Ποτέ μη μεταφέρετε το εργαλείο από το καλώδιο ή το τραβήξετε απότομα για να το αποσυνδέσετε από την υποδοχή. Κρατήστε το καλώδιο μακριά από θερμότητα, λάδι, και κοφτερές γωνίες.
12. Σιγουρευτείτε το αντικείμενο εργασίας σας. Χρησιμοποιήστε σφικτήρες ή μια μέγερνη για το κράτημα του αντικειμένου πάνω στο οποίο εργάζεστε. Είναι πιο ασφαλές από το να

χρησιμοποιείτε το χέρι σας και επιπρόσθετα ελευθερώνει και τα δυο χέρια για να λειτουργήσετε το εργαλείο.

13. Μην προεκτείνετε. Διατηρήστε πάντοτε το κατάλληλο πάτημα και ισορροπία.
14. Συντήρηση τα εργαλεία με προσοχή. Διατηρείτε τα εργαλεία που κόβουν αιχμηρά και καθαρά για καλύτερα και ασφαλέστερη απόδοση. Ακολουθήστε τις οδηγίες για τη λίπανση την και αλλαγή εξαρτημάτων. Ελέγχετε τα καλώδια των εργαλείων περιοδικά και αν έχουν πάθει ζημιά, επισκευάστε τα σε ένα εξουσιοδοτημένο κέντρο επισκευής. Ελέγχετε τα καλώδια περιοδικά και αντικαταστήστε τα αν έχουν πάθει ζημιά. Κρατήστε τις λαβές στεγνές, καθαρές, χωρίς να έχουν λάδι και γράσο.
15. Αποσυνδέστε τα εργαλεία. Όταν δεν χρησιμοποιούνται, πριν από το σέρβις και κατά την αλλαγή εξαρτημάτων όπως λεπίδες, ακίδες, και κόφτες.
16. Αφαιρέστε τα κλειδιά ρυθμιζόμενου ανοίγματος και τα απλά κλειδιά. Έχετε την συνήθεια να ελέγχετε να δείτε αν τα απλά κλειδιά και τα κλειδιά ρυθμιζόμενου ανοίγματος έχουν αφαιρεθεί από το εργαλείο πριν το βάλετε να δουλέψει.
17. Αποφύγετε την άσκοπη εκκίνηση. Μην μεταφέρετε ένα συνδεδεμένο στην μπρίζα εργαλείο με τη σκανδάλη στο χέρι. Βεβαιωθείτε ότι ο διακόπτης είναι κλειστός όταν βάζετε το εργαλείο στη μπρίζα.
18. Χρησιμοποιήστε καλώδια προέκτασης για χρήση σε εξωτερικό χώρο. Όταν το εργαλείο χρησιμοποιείται σε εξωτερικό χώρο χρησιμοποιήστε καλώδια προέκτασης που προορίζονται για χρήση στον εξωτερικό χώρο.
19. Να είστε σε ετοιμότητα. Βλέπετε τι κάνετε. Χρησιμοποιήστε τη κοινή λογική. Μην λειτουργείτε το εργαλείο όταν είστε κουρασμένοι.
20. Ελέγξτε τα κατεστραμμένα τμήματα. Πριν την παρατέρα χρήση του εργαλείου, ο προφυλακτήρας ή το οποιοδήποτε κομμάτι που έχει πάθει ζημιά πρέπει να ελεγχθεί προσεκτικά για να διαπιστωθεί ότι θα λειτουργήσει κανονικά και θα εκτελέσει την λειτουργία για την οποία προορίζεται. Ελέγξτε την ευθυγράμμιση των κινούμενων τμημάτων, την ελεύθερη κίνηση των κινούμενων τμημάτων, το σπάσιμο των τμημάτων, την στερέωση και τις οποιοσδήποτε άλλες καταστάσεις που ενδέχεται να επηρεάζουν τη λειτουργία του. Ο προφυλακτήρας ή οποιοδήποτε άλλο τμήμα που έχει πάθει ζημιά θα πρέπει να διορθωθεί κατάλληλα ή να αντικατασταθεί από ένα εξουσιοδοτημένο για σέρβις κέντρο εκτός και αν υπάρχει ένδειξη για κάτι άλλο σε αυτές τις οδηγίες χειρισμού. Αντικαταστήστε τους ελαττωματικούς διακόπτες από ένα εξουσιοδοτημένο για σέρβις κέντρο. Μην χρησιμοποιήσετε το εργαλείο αν ο διακόπτης δεν το βάζει σε εκκίνηση και δεν το κλείνει.
21. Κίνδυνος Η χρήση οποιοσδήποτε εξαρτημάτων ή προσαρτημάτων εκτός από αυτά που συνιστώνται σε αυτές τις οδηγίες χειρισμού, μπορεί να προκαλέσει τον κίνδυνο προσωπικού τραυματισμού.
22. Επιστευόστε το εργαλείο σας σε ένα έμπειρο πρόσωπο. Αυτό το ηλεκτρικό εργαλείο είναι εναρμονισμένο με τους σχετικούς κανόνες ασφαλείας. Η επισκευή θα πρέπει να γίνεται μόνον από έμπειρα άτομα που χρησιμοποιούν αυθεντικά ανταλλακτικά. Διαφορετικά μπορεί να προκληθεί σημαντικός κίνδυνος για τον χρήστη.

ΠΡΟΦΥΛΑΚΤΙΚΑ ΜΕΤΡΑ ΓΙΑ ΤΗ ΧΡΗΣΗ ΤΟΥ ΔΡΑΠΑΝΟΥ

1. Κρατήστε το δράπανο γερά κατά τη χρήση.
2. Μην φοράτε γάντια φτιαγμένα από υλικό που έχει την τάση να τυλίγεται όπως το βαμβάκι, το μαλλί, το ύφασμα ή ίνα κλπ.

ΤΕΧΝΙΚΑ ΧΑΡΑΚΤΗΡΙΣΤΙΚΑ

Τάση (ανά περιοχές)*		(110V, 220V, 230V, 240V) ~	
Ισχύς εισόδου		460W*	
Ταχύτητα χωρίς φορτίο		0-2300min ⁻¹	
Ικανότητα σφικτήρα δραπάνου		10 mm	
Ικανότητα	Ατσάλι	Ελικοειδής Λεπίδα	10 mm
	Ξύλο	Επίπεδη Λεπίδα Φτιαριού	25 mm
		Τρυπανοειδής Λεπίδα	16 mm
Βάρος (χωρίς το καλώδιο)		1,3 Kg	

* Βεβαιωθείτε να ελέγξετε την πινακίδα στο προϊόν επειδή υπόκεινται σε αλλαγή σε εξάρτηση από την περιοχή.

ΚΑΝΟΝΙΚΑ ΕΞΑΡΤΗΜΑΤΑ

- Κλειδί σφιξίματος
(Ειδ. μόνο για σφικτήρα με κλειδί)..... 1
Τα κανονικά εξαρτήματα μπορούν να αλλάξουν χωρίς προειδοποίηση.

ΠΡΟΑΙΡΕΤΙΚΑ ΕΞΑΡΤΗΜΑΤΑ

- (1) Πλευρική λαβή.
 - (2) Γάτζος
 - (3) Γάτζος (Α)
- χωρίς προειδοποίηση.

ΕΦΑΡΜΟΓΕΣ

- Άνοιγμα τρυπών σε μέταλλο, ξύλο και πλαστικό.

ΠΡΙΝ ΤΗ ΛΕΙΤΟΥΡΓΙΑ

1. Πηγή ρεύματος

Βεβαιωθείτε ότι η πηγή ρεύματος που πρόκειται να χρησιμοποιηθεί είναι εναρμονισμένη με τις απαιτήσεις σε ρεύμα που αναφέρεται στην πινακίδα του εργαλείου.

2. Διακοπής ρεύματος

Βεβαιωθείτε ότι ο διακόπτης ρεύματος βρίσκεται στη θέση OFF. Αν το βίσμα είναι στη μπρίζα καθώς ο διακόπτης ρεύματος βρίσκεται στο ON, το εργαλείο θα αρχίσει να λειτουργεί αμέσως, με πιθανότητα πρόκλησης σοβαρού ατυχήματος.

3. Καλώδιο προέκτασης

Όταν ο χώρος εργασίας βρίσκεται μακριά από την παροχή ρεύματος. Χρησιμοποιήστε ένα καλώδιο προέκτασης με κατάλληλο πάχος και ικανότητα μεταφοράς ρεύματος. Το καλώδιο προέκτασης πρέπει να είναι τόσο κοντό όσο είναι πρακτικά δυνατό.

3. Πριν από το τρύπημα σε τοίχους, ταβάνια ή πατώματα, σιγουρευτείτε ότι δεν υπάρχουν ηλεκτρικά καλώδια ή κυκλώματα στο εσωτερικό.

4. Επιλέξτε την κατάλληλη λεπίδα τρυπίματος

- Όταν ανοίγετε τρύπες σε μέταλλο και πλαστικό Χρησιμοποιήστε κοινές λεπίδες τρυπίματος για μέταλλο.
- Όταν ανοίγετε τρύπες για ξύλο Χρησιμοποιήστε κοινές λεπίδες τρυπίματος για ξύλο.
Όμως όταν ανοίγετε τρύπες των 6.5 χιλ ή μικρότερες, χρησιμοποιήστε μια λεπίδα τρυπίματος για εργασία σε μέταλλο.

5. Για στερέωση και βγάλσιμο της λεπίδας

Για σφικτήρα με κλειδί (Εικ. 1)

- (1) Ανοίξετε τις αρπάγες του σφικτήρα, και βάλτε μέσα τη λεπίδα στο σφικτήρα.
- (2) Τοποθετήστε το κλειδί του σφικτήρα μέσα σε κάθε μια από τις τρεις τρύπες του σφικτήρα και περιστρέψτε το προς τα δεξιά (όψη από την μπροστινή πλευρά). Σφίξτε με ασφάλεια.
- (3) Για να αφαιρέσετε τη λεπίδα, τοποθετήστε το κλειδί του σφικτήρα μέσα σε μια από τις τρύπες του σφικτήρα και περιστρέψτε το προς τα αριστερά.

Για σφικτήρες χωρίς κλειδί (Εικ. 2)

- (1) Ανοίξετε τις αρπάγες του σφικτήρα, και βάλτε μέσα τη λεπίδα στο σφικτήρα.
Για να ανοίξετε τις αρπάγες του σφικτήρα, κρατήστε το δακτύλιο ενώ περιστρέφεται το συνδετικό δακτύλιο προς τα αριστερά (όψη από την μπροστινή πλευρά).
- (2) Πιάστε δυνατά το δακτύλιο και περιστρέψτε το συνδετικό δακτύλιο προς τα δεξιά. Σφίξτε με ασφάλεια.
- (3) Για να αφαιρέσετε την λεπίδα, πιάστε δυνατά το δακτύλιο και περιστρέψτε το συνδετικό δακτύλιο προς τα αριστερά.
- (4) Αν είναι δύσκολο να ξεσφίξετε το συνδετικό δακτύλιο, στερεώστε τον άξονα χρησιμοποιώντας ένα κλειδί, κρατήστε το συνδετικό δακτύλιο σταθερά, και περιστρέψτε το προς την διεύθυνση

κατά την οποία ξεσφίγκει (αριστερά όταν βλέπετε από εμπρός) (Εικ. 3)

6. Ελέγξτε την περιστροφική διέθυση (Εικ. 4)

Η λεπίδα περιστρέφεται προς τα δεξιά (όψη από την πίσω πλευρά) πατώντας την R-πλευρά του κουμπιού. Η L-πλευρά του κουμπιού πατιέται για να περιστραφεί η λεπίδα προς τα αριστερά. (Τα σημάδια (L) και (R) παρέχονται πάνω στο σώμα.)

7. Εγκατάσταση της πλευρικής λαβής (Προαιρετικό εξάρτημα)

Μια Πλευρική λαβή μπορεί να εγκατασταθεί στη οποιαδήποτε πλευρά του εργαλείου για δεξιόχειρη ή αριστερόχειρη χρήση.

Για να εγκαταστήσετε τη πλευρική λαβή, περάστε την μέσα στην υποδοχή στην επιθυμητή πλευρά του καλύμματος ταχυτήτων και σφίξτε με ασφάλεια (Εικ. 6)

8. Σύνδεση του γάντζου (Προαιρετικό εξάρτημα)

Για το γάντζο (πλευρική ένωση) (Εικ. 7)

Στερεώστε το γάντζο γερά στην επιθυμητή πλευρά του καλύμματος ταχυτήτων χρησιμοποιώντας το M10 μπουλόνι, το οποίο παρέχεται με το γάντζο.

Για το γάντζο (A) (κορυφαία ένωση) (Εικ. 8)

Για να συνδέσετε το γάντζο (A) είναι απαραίτητο να αποσυνδέσετε το τμήμα της λαβής που καλύπτει το ηλεκτρικό σύστημα του εργαλείου. Για την συνεχιζόμενη δική σας ασφάλεια και την προστασία από την ηλεκτροπληξία η εγκατάσταση του γάντζου (A) σε αυτό το δρόμιο πρέπει να γίνει μονάχα από ένα ΕΞΟΥΣΙΟΔΟΤΗΜΕΝΟ ΚΕΝΤΡΟ ΣΕΡΒΙΣ ΤΗΣ HITACHI.

ΠΡΟΣΟΧΗ:

Όταν το ηλεκτρικό εργαλείο χρησιμοποιείται με το γάντζο στερεωμένο σε αυτό, δώστε προσοχή στα παρακάτω σημεία:

- Πριν κρεμάσετε την κύρια μονάδα από την ζώνη της μέσης σας, βεβαιωθείτε ότι το δρόμιο έχει σταματήσει τελείως. Ενώ είναι κρεμασμένο από την ζώνη της μέσης σας, το βίσμα παροχής ρεύματος πρέπει να είναι αποσυνδεδεμένο από την πηγή του ρεύματος.
- Μην περπατάτε με το ηλεκτρικό εργαλείο να κρέμεται από την ζώνη της μέσης σας.
- Στην περίπτωση λειτουργίας σε υψηλά μέρη, είναι επικίνδυνο να ρίξετε κάτω το εργαλείο κατά λάθος. Αν ο γάντζος παραμορφωθεί ή κρεμαστεί από λανθασμένη θέση, υπάρχει κίνδυνος ο γάντζος θα γλιστρήσει και το εργαλείο να πέσει κάτω. Προσέχετε να αποφυγάτε τον κίνδυνο.
- Κατά το άνοιγμα μιας τρύπας το ηλεκτρικό εργαλείο μερικές φορές τραντάζεται με δύναμη όταν το αντικείμενο εργασίας τρυπηθεί, για παράδειγμα. Προσέχετε να μην τραυματιστείτε από τον γάντζο ακόμα και αν κάτι τέτοιο συμβεί.

ΠΩΣ ΝΑ ΤΟ ΧΡΗΣΙΜΟΠΟΙΗΣΕΤΕ

1. Λειτουργία διακόπτης

- Όταν η σκανδάλη είναι χαμηλωμένη, το εργαλείο περιστρέφεται.
- Όταν η σκανδάλη ελευθερωθεί το εργαλείο σταματά.
- Η ταχύτητα περιστροφής του δραπάνου μπορεί να ελεγχθεί από το κατά πόσο τραβιέται η σκανδάλη

διακόπτης. Η ταχύτητα είναι χαμηλή όταν η σκανδάλη διακόπτης τραβηχθεί ελαφρά και αυξάνει καθώς η σκανδάλη διακόπτης τραβιέται περισσότερο.

- Η επιθυμητή ταχύτητα περιστροφής μπορεί να επιλεχτεί εκ των προτέρων με το καντράν ελέγχου ταχύτητας. Γυρίστε το καντράν ελέγχου ταχύτητας δεξιόστροφα για την υψηλότερη ταχύτητα και αριστερόστροφα για τη χαμηλότερη ταχύτητα. (Εικ. 5)
- Το τράβηγμα της σκανδάλης και το σπρώξιμο του στόπερ, διατηρεί την κατάσταση λειτουργίας, η οποία είναι βολική για συνεχής λειτουργία. Κατά το σβήσιμο, το στόπερ μπορεί να αποσυνδεθεί τραβώντας τη σκανδάλη ξανά.

2. Τρύπημα

- Κατά το τρύπημα, αρχίστε να τρυπάτε αργά, και προοδευτικά αυξήστε την ταχύτητα καθώς τρυπάτε.
- Πάντοτε να εφαρμόζετε πίεση σε ευθεία γραμμή με την λεπίδα. Χρησιμοποιήστε αρκετή δύναμη για να συνεχίσετε να τρυπάτε, αλλά όμως μην σπρώξετε πάρα πολύ τόσο ώστε να μπλοκάρει το μοτέρ ή να αποκλίνει η λεπίδα.
- Για να ελαχιστοποιήσετε το μπλοκάρισμα ή να διαπεράσετε το υλικό, ελαττώστε την πίεση στο δρόμιο και στη λεπίδα κατά το τελευταίο τμήμα της τρύπας.
- Αν το δρόμιο μπλοκάρει, ελευθερώστε τη σκανδάλη αμέσως, αφαιρέστε τη λεπίδα από το αντικείμενο εργασίας και ξεκινήστε ξανά. Μην ενεργοποιείτε και απενεργοποιείτε τη σκανδάλη σε μια προσπάθεια να ξεκινήσετε ένα μπλοκαρισμένο δρόμιο.
- Όσο μεγαλύτερη είναι η διάμετρος της λεπίδας του δραπάνου, τόσο μεγαλύτερη είναι και η δύναμη αντίδρασης πάνω στο χάρι σας. Προσέχετε να μην χάσετε τον έλεγχο του δραπάνου εξαιτίας αυτής της δύναμης αντίδρασης. Για να κρατήσετε τον απόλυτο έλεγχο, διατηρείτε ένα καλό πάτημα, χρησιμοποιήστε την πλευρική λαβή, κρατήστε το δρόμιο σφικτά με τα δυο χέρια και βεβαιωθείτε ότι το δρόμιο είναι κάθετο ως προς το υλικό το οποίο πρόκειται να τρυπηθεί.

ΣΥΝΤΗΡΗΣΗ ΚΑΙ ΕΛΕΓΧΟΣ

1. Έλεγχος των λεπίδων του δραπάνου

Επειδή η χρήση των φθαρμένων λεπίδων θα προκαλέσει την δυσλειτουργία του μοτέρ και την μειωμένη αποδοτικότητα, αντικαταστήστε τις λεπίδες του δραπάνου με καινούργιες ή ακονίστε τις χωρίς καθυστέρηση όταν παρατηρηθεί η φθορά.

2. Έλεγχος των βιδών στερέωσης

Ελέγχετε περιοδικά όλες τις βίδες στερέωσης και βεβαιωθείτε ότι είναι κατάλληλα σφιγμένες. Στην περίπτωση που χαλαρώσει οποιαδήποτε βίδα σφίξτε την ξανά αμέσως. Αν δεν το κάνετε αυτό μπορεί να έχει ως αποτέλεσμα το σοβαρό τραυματισμό.

3. Συντήρηση του μοτέρ

Η περιέλιξη της μονάδα του μοτέρ είναι η καρδιά του ηλεκτρικού εργαλείου. Δώστε μεγάλη προσοχή για να σιγουρευτείτε ότι η περιέλιξη δεν θα πάθει ζημιά και / ή θα βρεχθεί με λάδι ή νερό.

4. Έλεγχος στα καρβουνάκια

Για την συνεχιζόμενη ασφάλεια σας και την προστασία σας από την ηλεκτροπληξία, ο έλεγχος στα καρβουνάκια και η αντικατάσταση αυτού του εργαλείου πρέπει ΜΟΝΟ να γίνεται από ένα ΕΞΟΥΣΙΟΔΟΤΗΜΕΝΟ ΚΕΝΤΡΟ ΣΕΡΒΙΣ ΤΗΣ HITACHI.

ΣΗΜΕΙΩΣΗ

Εξαιτίας του συνεχιζόμενου προγράμματος έρευνας και ανάπτυξης της Hitachi τα τεχνικά χαρακτηριστικά που εδώ αναφέρονται μπορούν να αλλάξουν χωρίς προηγούμενη ειδοποίηση.

Πληροφορίες που αφορούν τον εκπεμπόμενο θόρυβο και τη δόνηση.

Οι τιμές μετρήθηκαν σύμφωνα με το EN50144.

Ένα τυπικό επίπεδο πίεσης ήχου A : 75 dB (A).

Φοράτε προστατευτικά αυτιών.

Μια τυπική τιμή ρίζας μέσης τετραγωνικής επιτάχυνσης:
2.5 m/s²

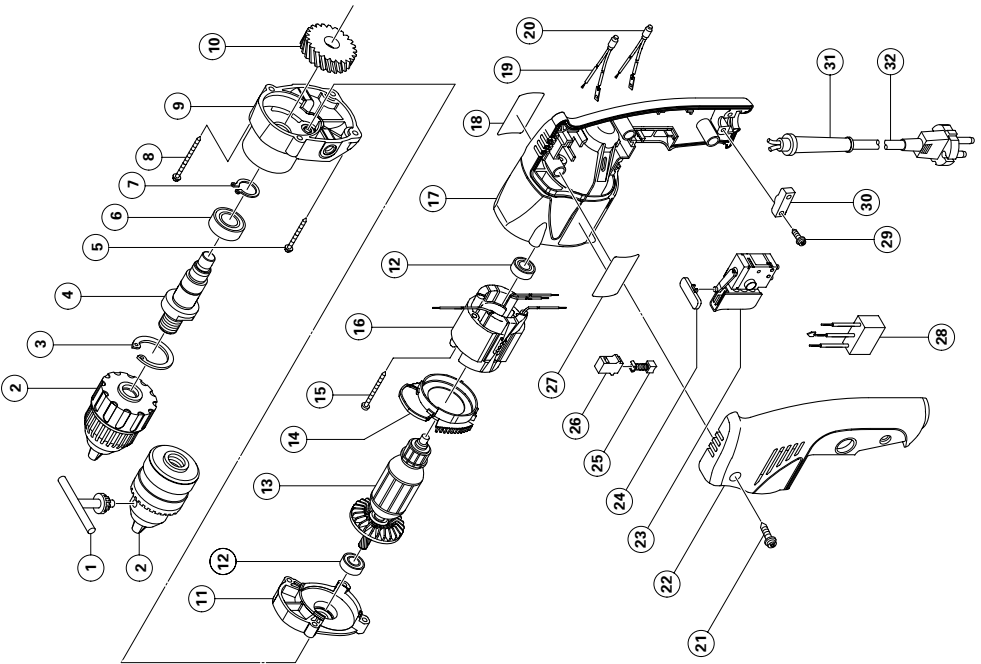
<p>English</p> <p><u>GUARANTEE CERTIFICATE</u></p> <ol style="list-style-type: none"> ① Model No. ② Serial No. ③ Date of Purchase ④ Customer Name and Address ⑤ Dealer Name and Address (Please stamp dealer name and address) 	<p>Nederlands</p> <p><u>GARANTIEBEWIJS</u></p> <ol style="list-style-type: none"> ① Modelnummer ② Serienummer ③ Datum van aankoop ④ Naam en adres van de gebruiker ⑤ Naam en adres van de handelaar (Stempel a.u.b. naam en adres vande de handelaar)
<p>Deutsch</p> <p><u>GARANTIESCHEIN</u></p> <ol style="list-style-type: none"> ① Modell-Nr. ② Serien-Nr. ③ Kaufdatum ④ Name und Anschrift des Kunden ⑤ Name und Anschrift des Händlers (Bitte mit Namen und Anschrift des Handlers abstempeln) 	<p>Español</p> <p><u>CERTIFICADO DE GARANTIA</u></p> <ol style="list-style-type: none"> ① Número de modelo ② Número de serie ③ Fecha de adquisición ④ Nombre y dirección del cliente ⑤ Nombre y dirección del distribuidor (Se ruega poner el sellú del distribuidor con su nombre y dirección)
<p>Français</p> <p><u>CERTIFICAT DE GARANTIE</u></p> <ol style="list-style-type: none"> ① No. de modèle ② No de série ③ Date d'achat ④ Nom et adresse du client ⑤ Nom et adresse du revendeur (Cachet portant le nom et l'adresse du revendeur) 	<p>Português</p> <p><u>CETTIFICADO DE GARANTIA</u></p> <ol style="list-style-type: none"> ① Número do modelo ② Número do série ③ Data de compra ④ Nome e morada do cliente ⑤ Nome e morada do distribuidor (Por favor, carimbe o nome e morada do distribuidor)
<p>Italiano</p> <p><u>CERTIFICATO DI GARANZIA</u></p> <ol style="list-style-type: none"> ① Modello ② N° di serie ③ Data di acquisto ④ Nome e indirizzo dell'acquirente ⑤ Nome e indirizzo del rivenditore (Si prega di apporre il timbro con questi dati) 	<p>Ελληνικά</p> <p><u>ΠΙΣΤΟΠΟΙΗΤΙΚΟ ΕΓΓΥΗΣΗΣ</u></p> <ol style="list-style-type: none"> ① Αρ. Μοντέλου ② Αύξων Αρ. ③ Ημερομηνία αγοράς ④ Ονομα και διεύθυνση πελάτη ⑤ Ονομα και διεύθυνση μεταπωλητή (Παρακαλούμε χρησιμοποιηθεί σφραγίδα)

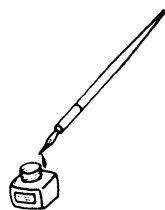
HITACHI

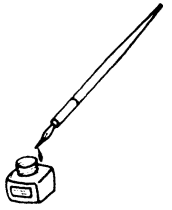
①	
②	
③	
④	
⑤	




Item No.	Part Name
1	Chuck Wrench 10TL2
2 1	Drill Chuck 10TLRA
2 2	Keyless Chuck 10TLRD-N
3	Retaining Ring For D32 Hole
4	Spindle
5	Tapping Screw (W/Flange) D4×30
6	Ball Bearing 6002VVCMP52L
7	Retaining Ring For D15 Shaft
8	Tapping Screw (W/Flange) D4×45
9	Gear Cover
10	Gear
11	Inner Cover
12	Ball Bearing 608VVC2PS2L
13	Aamature
14	Fan Guide
15	Tapping Screw D4×40
16	Stator
17	Housing
18	Name Plate
19	Choke Coil
20	Choke Coil
21	Tapping Screw
22	Handle Cover
23	Switch
24	Push Button
25	Carbone Brush
26	BrushHolder
27	Hitachi Label
28	Noise Suppressor
29	Tapping Screw (W/Flange) D4×16
30	Cord Clip
31	Corde Armor
32	Cord







<p>English</p> <p>EC DECLARATION OF CONFORMITY</p> <p>We declare under our sole responsibility that this product is in conformity with standards or standardized documents EN50144, HD400, EN55014-1, EN55014-2, EN61000-3-2, EN61000-3-3 and/or EN61000-3-11 in accordance with Council Directives 73/23/EEC, 89/336/EEC and/or 98/37/EC.</p> <p>This declaration is applicable to the product affixed CE marking.</p>	<p>Nederlands</p> <p>EC VERKLARING VAN CONFORMITEIT</p> <p>Wij verklaren onder eigen verantwoordelijkheid dat dit produkt conform de richtlijnen of gestandaardiseerde documenten EN50144, HD400, EN55014-1, EN55014-2, EN61000-3-2, EN61000-3-3 en/of EN61000-3-11 voldoet aan de eisen van EEG Bepalingen 73/23/EEG, 89/336/EEG en/of 98/37/EC.</p> <p>Deze verklaring is van toepassing op produkten voorzien van de CE-markeringen.</p>
<p>Deutsch</p> <p>ERKLÄRUNG ZUR KONFORMITÄT MIT CE-REGELN</p> <p>Wir erklären mit alleiniger Verantwortung, daß dieses Produkt den Standards oder standardisierten Dokumenten EN50144, HD400, EN55014-1, EN55014-2, EN61000-3-2, EN61000-3-3 und/oder EN61000-3-11 in Übereinstimmung mit den Direktiven des Europarats 73/23/EWG, 89/336/EWG und/order 98/37/CE entspricht.</p> <p>Diese Erklärung gilt für Produkte, die die CE-Markierung tragen.</p>	<p>Español</p> <p>DECLARACIÓN DE CONFORMIDAD DE LA CE</p> <p>Declaramos bajo nuestra única responsabilidad que este producto está de acuerdo con las normas o con los documentos de normalización EN50144, HD400, EN55014-1, EN55014-2, EN61000-3-2, EN61000-3-3 y/o EN61000-3-11, según indican las Directrices del Consejo 73/23/CEE, 89/336/CEE y/o 98/37/CE.</p> <p>Esta declaración se aplica a los productos con marcas de la CE.</p>
<p>Français</p> <p>DECLARATION DE CONFORMITE CE</p> <p>Nous déclarons sous notre seule et entière responsabilité que ce produit est conforme aux normes ou documents normalisés EN50144, HD400, EN55014-1, EN55014-2, EN61000-3-2, EN61000-3-3 et/ou EN61000-3-11 en accord avec les Directives 73/23/CEE, 89/336/CEE et/ou 98/37/CE du Conseil.</p> <p>Cette déclaration s'applique aux produits désignés CE.</p>	<p>Português</p> <p>DECLARAÇÃO DE CONFORMIDADE CE</p> <p>Declaramos, sob nossa única e inteira responsabilidade, que este produto está de acordo com as normas ou documentos normativos EN50144, HD400, EN55014-1, EN55014-2, EN61000-3-2, EN61000-3-3 e/ou EN61000-3-11, em conformidade com as Diretrizes 73/23/CEE, 89/336/CEE e/ou 98/37/CE do Conselho.</p> <p>Esta declaração se aplica aos produtos designados CE.</p>
<p>Italiano</p> <p>DICHIARAZIONE DI CONFORMITÀ CE</p> <p>Si dichiara sotto nostra responsabilità che questo prodotto è conforme agli standard o ai documenti standardizzati EN50144, HD400, EN55014-1, EN55014-2, EN61000-3-2, EN61000-3-3 e/o EN61000-3-11 conforme alle direttive 73/23/CEE, 89/336/CEE e/o 98/37/CE del concilio.</p> <p>Questa dichiarazione è applicabile ai prodotti cui sono applicati i marchi CE.</p>	<p>Ελληνικά</p> <p>ΕΚ ΔΗΛΩΣΗ ΕΝΑΡΜΟΝΙΣΜΟΥ</p> <p>Δηλώνουμε με απόλυτη υπευθυνότητα ότι αυτό το προϊόν είναι εναρμονισμένο με τα πρότυπα ή τα έγγραφα προτύπων EN50144, HD400, EN55014-1, EN55014-2, EN61000-3-2, EN61000-3-3 και / ή EN61000-3-11 σε συμφωνία με τις Οδηγίες του Συμβουλίου 73/23/EOK, 89/336/EOK και/ή 98/37/EK.</p> <p>Αυτή η δήλωση ισχύει στο προϊόν με το σημάδι CE.</p>
<p>Hitachi Power Tools Europe GmbH Siemensring 34, 47877 Willich, F. R. Germany Hitachi Koki Co., Ltd. Shinagawa Intercity Tower A, 15-1, Konan 2-chome, Minato-ku, Tokyo, Japan</p> <p style="text-align: center;">CE</p> <p style="text-align: right;">30. 9. 2002  Y. Hirano (EMO)</p>	

Hitachi Koki Co., Ltd.