

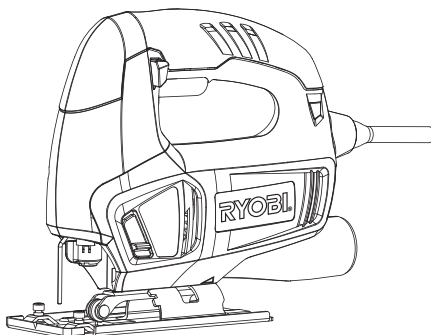
RYOBI®

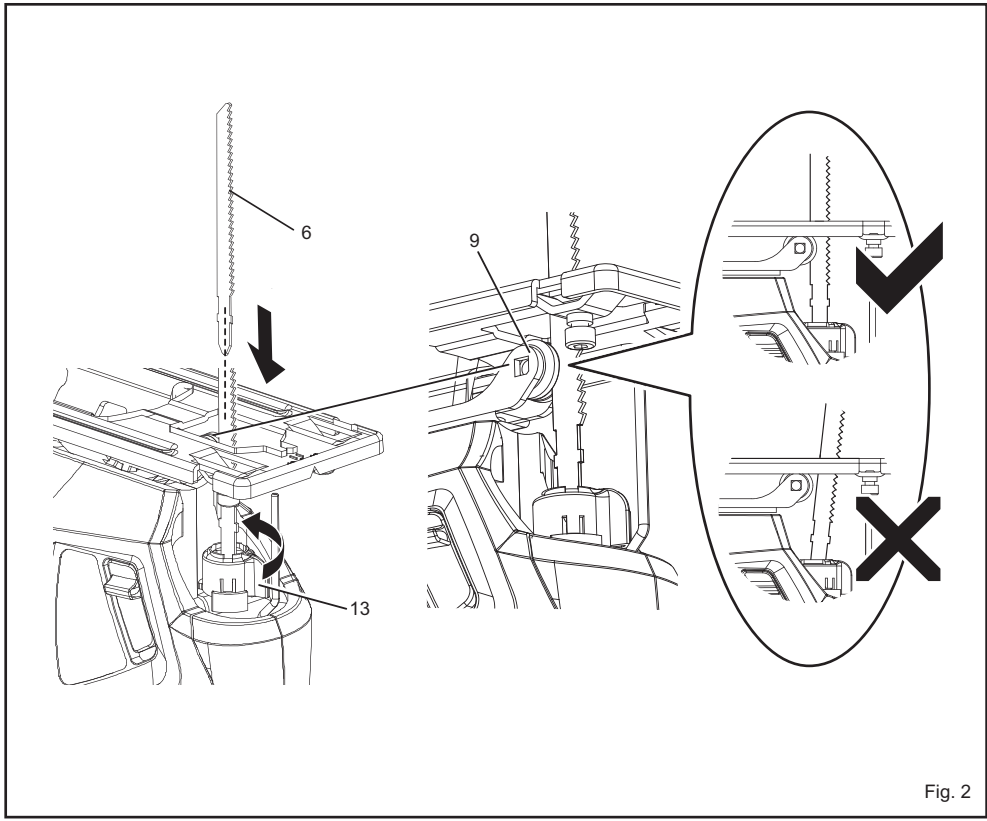
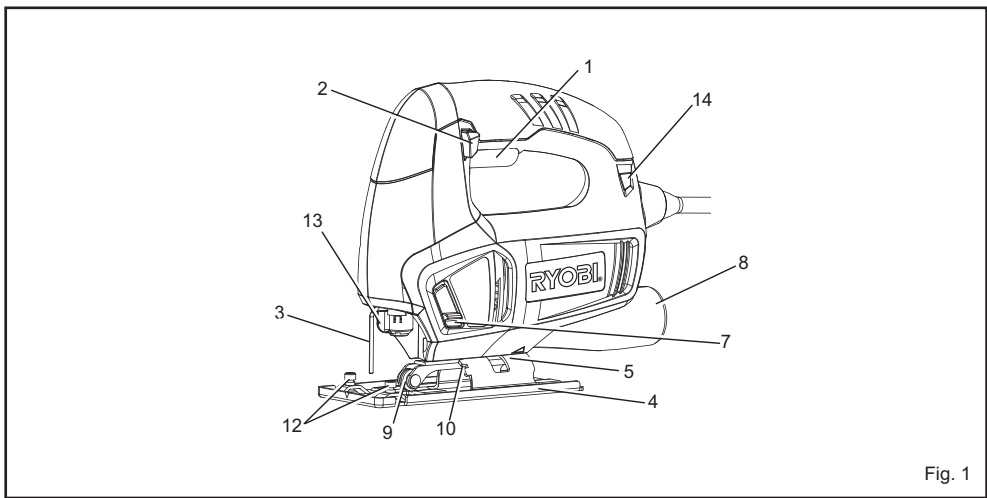
EJ500

GB	500W JIGSAW
FR	SCIE SAUTEUSE 500W
DE	500W STICHSÄGE
ES	SIERRA DE VAIVÉN 500W
IT	SEGHE TTO DA 500W
NL	500W DECOUPEERZAAGMACHINE
PT	SERRA DE VAIVÉM DE 500W
DK	500W STIKSAV
SE	FIGURSÄG 500 W
FI	500 W KUVIOSAHA
NO	500 W STIKKSAG
RU	ПРОРЕЗНАЯ ПИЛА, 500 ВТ
PL	WYRZYNARKA 500 W
CZ	500 W FIGŮRZÄGIS
HU	500 W SIAURAPJŰKLIS
RO	FERÄSTRÄU MECANIC 500 W
LV	500 W FIGŪRZÄGIS
LT	500 W SIAURAPJŰKLIS
EE	TIKKSAAG 500 W
HR	VBODNA PILA OD 500 W
SI	500 W VBODNA ŽAGA
SK	500W LUP IENKOVÄ PÍLKA
GR	500W ΣΕΡΓΑ
TR	500W DEKUPAJ TESTERESİ

USER'S MANUAL	1
MANUEL D'UTILISATION	5
BEDIENUNGSANLEITUNG	10
MANUAL DE UTILIZACIÓN	15
MANUALE D'USO	20
GEBRUIKSHANDLEIDING	25
MANUAL DE UTILIZAÇÃO	30
BRUGERVEJLEDNING	35
INSTRUKTIONSBOK	39
ΚΑΥΤΤÄJÄN KÄSIKIRJA	43
BRUKSANVISNING	47
РУКОВОДСТВО ПО ЭКСПЛУАТАЦИИ	51
INSTRUKCJA OBSŁUGI	56
NÁVOD K OBSLUZE	61
HASZNÁLATI ÚTMUTATÓ	65
MANUAL DE UTILIZARE	70
LIETOTÄJA KÄSÄGRÄMATA	75
NAUDOJIMO VADOVAS	79
KÄSUTÄJÄJU HEND	83
KORISNIČKI PRIRUČNIK	87
UPORABNIŠKI PRIROČNIK	91
NÁVOD NA POUŽITIE	95
ΟΔΗΓΙΕΣ ΧΡΗΣΗΣ	99
KULLANIM KILAVUZU	104

GB ORIGINAL INSTRUCTIONS | **FR** TRADUCTION DES INSTRUCTIONS ORIGINALES | **DE** ÜBERSETZUNG DER ORIGINALANLEITUNG | **ES** TRADUCCIÓN DE LAS INSTRUCCIONES ORIGINALES | **IT** TRADUZIONE DELLE ISTRUZIONI ORIGINALI | **NL** VERTALING VAN DE ORIGINELE INSTRUCTIES | **PT** TRADUÇÃO DAS INSTRUÇÕES ORIGINAIS | **DK** ÖVERSÆTTELSE AF DE ORIGINALE INSTRUKTIONER | **SE** ÖVERSÄTTNING AV DE URSPRUNGLIGA INSTRUKTIONERNA | **FI** ALKUPERÄISTEN OHJEIDEN SUOMENNOS | **NO** ÖVERSÆTTELSE AV DE ORIGINALE INSTRUKSJONENE | **RU** ПЕРЕВОД ОРИГИНАЛЬНЫХ ИНСТРУКЦИЙ | **PL** TŁUMACZENIE INSTRUKCJI ORYGINALNEJ | **CZ** PŘEKLAD ORIGINALNÍCH POKYNŮ | **HU** AZ EREDETI ÚTMUTATÓ FORDÍTÁSA | **RO** TRADUCEREA INSTRUCȚIUNILOR ORIGINALE | **LV** TULKOTS NO ORIGINĀLĀS INSTRUKCIJAS | **LT** ORIGINALIŲ INSTRUKCIJŲ VERTIMAS | **EE** ORIGINALJUHENDI TÖLGE | **HR** PRIJEVOD ORIGINALNIH UPUTA | **SI** PREVOD ORIGINALNIH NAVODIL | **SK** PREKLAD POKYNOV V ORIGINÁLI | **GR** ΜΕΤΑΦΡΑΣΗ ΤΩΝ ΠΡΩΤΟΤΥΠΩΝ ΟΔΗΓΙΩΝ | **TR** ORIJNAL TALIMATLARIN TERCÜMESİ





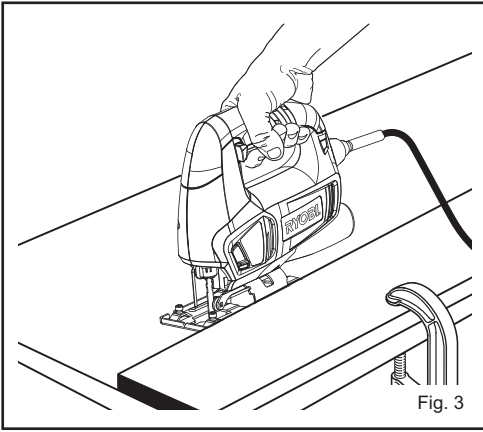


Fig. 3

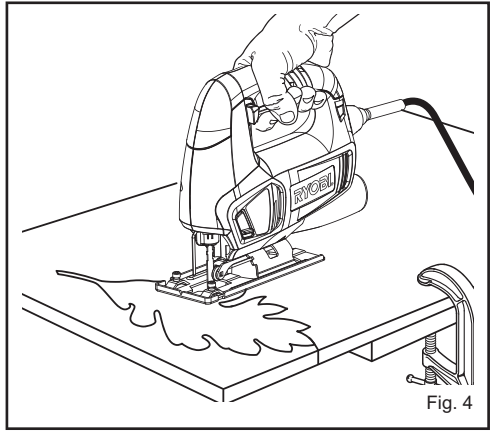


Fig. 4

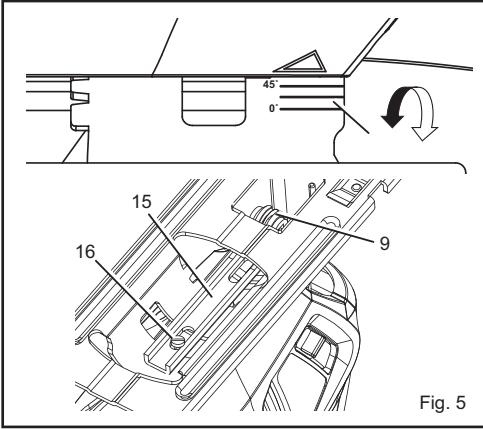


Fig. 5

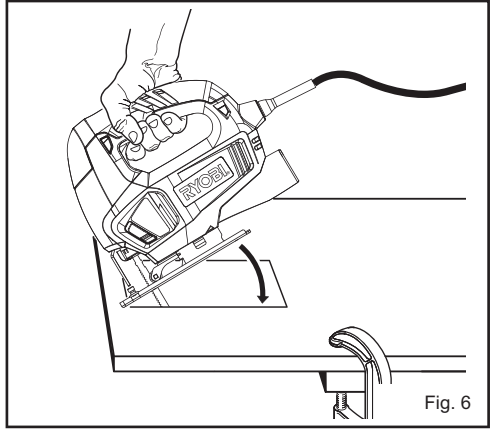


Fig. 6

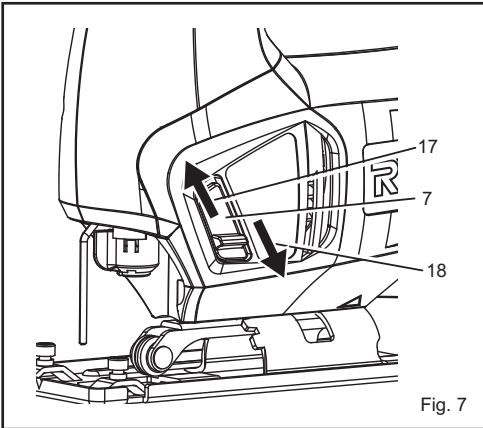


Fig. 7

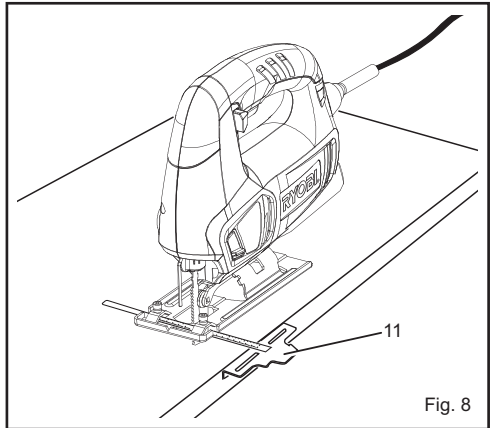


Fig. 8

Important!	It is essential that you read the instructions in this manual before operating this machine.
Attention !	Il est indispensable que vous lisiez les instructions contenues dans ce manuel avant la mise en service de l'appareil.
Achtung!	Bitte lesen Sie unbedingt vor Inbetriebnahme die Hinweise dieser Bedienungsanleitung.
¡Atención!	Es imprescindible que lea las instrucciones de este manual antes de la puesta en servicio.
Attenzione!	Prima di procedere alla messa in funzione, è indispensabile leggere attentamente le istruzioni contenute nel manuale.
Let op!	Het is van essentieel belang dat u de instructies in deze gebruiksaanwijzing leest vooraleer u deze machine in gebruik neemt.
Atenção!	É indispensável que leia as instruções deste manual antes de utilizar a máquina.
OBS!	Denne brugsanvisning skal læses igennem inden ibrugtagning.
Observera!	Det är nödvändigt att läsa instruktionerna i denna bruksanvisning innan användning.
Huomio!	On ehdottoman välttämätöntä lukea tässä käyttöohjeessa annetut ohjeet ennen käyttöönottoa.
Advarsel!	Det er meget vigtig at du leser denne brugerveiledningen før du tar maskinen i bruk.
Внимание!	Перед сборкой и запуском инструмента необходимо прочесть инструкции из настоящего руководства.
Uwaga!	Przed przystąpieniem do użytkowania tego urządzenia, należy koniecznie zapoznać się z zaleceniami zawartymi w niniejszym podręczniku.
Důležitě upozornění!	Nepoužívejte tento přístroj dříve, než si přečtete pokyny uvedené v tomto návodu.
Figyelem!	Feltétlenül fontos, hogy a jelen használati útmutatóban foglalt előírásokat az üzembe helyezés előtt elolvassa!
Atenție!	Este esențial să citiți instrucțiunile din acest manual înainte de operarea acestui aparat.
Uzmanību!	Svarīgi, lai jūs pirms mašīnas darbināšanas izlasītu instrukcijas šajā rokasgrāmātā.
Dėmesio!	Prieš pradėdami eksploatuoti šį prietaisą, svarbu, kad perskaitytumėte šiose instrukcijose pateiktus nurodymus.
Tähtis!	Enne trelli kasutamata hakkamist tuleb käesolevas juhendis esitatud juhised kindlasti läbi lugeda.
Upozorenje!	Neophodno je da pročitate ove upute prije uporabe ovog uređaja.
Pomembno!	Pred uporabo tega stroja, obvezno preberite navodila iz tega priročnika.
Dôležité!	Pre prácou s týmto zariadením je dôležité, by ste si prečítali pokyny v tomto návode.
Προσοχή!	Είναι απαραίτητο να διαβάσετε τις συστάσεις των οδηγιών αυτών πριν και τη θέση σε λειτουργία.
Dikkat!	Cihazın çalıştırılmasından önce bu kılavuzda bulunan talimatları okumanız zorunludur.

Subject to technical modifications / Sous réserve de modifications techniques / Technische Änderungen vorbehalten / Sujeto a modificaciones técnicas / Con riserva di eventuali modifiche tecniche / Technische wijzigingen voorbehouden / Com reserva de modificações técnicas / Med forbehold for tekniske ændringer / Med förbehåll för tekniska ändringar / Tekniset muutokset varataan / Med forbehold om tekniske endringer / Могут быть внесены технические изменения / Z zastrzeżeniem modyfikacji technicznych / Změny technických údajů vyhrazeny / A műszaki módosítás jogát fenntartjuk / Sub rezerva de modificății tehnice / Paturam tiesības mainīt tehniskos raksturlielumus / Pasiliekan teisę daryti techninius pakeitimus / Tehnilised muudatused võimalikud / Podložno tehničkim promjenama / Tehnične spremembe dopuščene / Technické zmeny vyhradené / Υπό την επιφύλαξη τεχνικών τροποποιήσεων / Teknik değışiklik hakkı saklıdır

English

DESCRIPTION

1. Switch
2. Lock-on button
3. Safety guard
4. Base
5. Notch
6. Saw blade
7. Dust blower button
8. Dust port
9. Roller guide
10. Slot
11. Optional edge guide (not included)
12. Edge guide lock screw
13. Quick release lever
14. Live tool indicator
15. Holder for roller guide
16. Screw
17. On
18. Off

SPECIAL SAFETY RULES

- **If operation is dusty, also wear a dust mask.**
- **Wait for the cutter to stop before setting the tool down.** An exposed cutter may engage the surface leading to possible loss of control and serious injury.
- **Hold power tool by insulated gripping surfaces only, when performing an operation where the cutting accessory may contact hidden wiring or its own cord.** Cutting accessory contacting a "live" wire may make exposed metal parts of the power tool "live" and could shock the operator.
- **If the power supply cord damaged, it must be replaced only by the manufacturer or by an authorized service center to avoid risk.**

SPECIFICATIONS

Voltage	230 V ~ 50 Hz
Input power	500 W
Stroke per minute	3000 min ⁻¹
Stroke length	19 mm
Max cutting capacity	
Wood	65 mm
Steel	6 mm

FEATURES

KNOW YOUR SAW

Before attempting to use your saw, familiarize yourself with all operating features and safety requirements.

ELECTRICAL CONNECTION

Your saw has a precision built electric motor. It should be connected only to a power supply of the type specified by its rating plate. Do not operate this tool on direct current (DC). A substantial voltage drop will cause a loss of power and overheating. If your tool does not operate when plugged into an outlet, double-check the power supply.

WARNING

Do not allow familiarity with tools to make you careless. Remember that a careless fraction of a second is sufficient to inflict serious injury.

OPERATION

SWITCH

See Figure 1.

- To turn your saw on, depress the switch.
- Release switch trigger to turn your saw OFF.

LOCK-ON BUTTON

See Figure 1.

Your saw is equipped with a lock-on feature, which is convenient when continuous cutting for extended periods of time is required. To lock-on, depress the switch trigger, push in and hold the lock-on button located on the side of the handle, then release switch trigger. Release lock-on button and your saw will continue running.

To release the lock, depress the switch trigger and release. If you have the lock-on feature engaged during use and your saw becomes disconnected from power supply, disengage the lock-on feature immediately.

WARNING

Before connecting your saw to power supply source, always check to be sure it is not in lock-on position (depress and release switch trigger). Failure to do so could result in accidental starting of your saw resulting in possible serious injury. Also, do not lock the trigger on jobs where your saw may need to be stopped suddenly.

English

TO INSTALL BLADES

See Figure 2.

- Unplug the tool.

WARNING

Failure to unplug your saw could result in accidental starting causing possible serious injury.

- Turn the tool upside down.
- Rotate the quick release lever counter-clockwise and hold in position.
- Insert the saw blade into the groove in the roller guide, making sure the back of the saw blade is properly positioned in the groove.

NOTE: Only T-shank saw blades can be used.

- Push the saw blade into the blade clamp as far as it will go.
- Release the quick release lever.

WARNING

To avoid possible serious injury, always wear safety goggles or safety glasses with side shields. Keep hands and fingers away, from the motor housing and blade clamp and do not reach underneath work while blade is cutting.

WARNING

To avoid serious personal injury, do not use saw without safety guard properly in place.

GENERAL CUTTING

See Figure 3.

Rest the front of the saw base on the workpiece and align cutting edge of the blade with the line on your workpiece. Make sure the power cord is out of the way of saw blade and not in the line of cut. Start your saw and move it forward on the work surface. Apply downward pressure to keep the saw steady and only enough forward pressure to keep the blade cutting.

WARNING

Do not force your saw. Forcing your saw may overheat the motor and break saw blades.

SCROLL CUTTING

See Figure 4.

Scroll cuts can be made with your saw by guiding the direction of the cut with applied pressure on the handle.

WARNING

Excessive side pressure to the blade could result in broken blades or damage to the material being cut.

ANGLE CUTTING (BEVEL CUTTING)

See Figure 5.

Bevel cutting angles may be adjusted from 0° to 45° right or left. Angles for cuts from 0° to 45° in 22.5° increments are marked on a scale on both the left and right side of the base.

The use of a protractor is recommended when accurate cuts are required.

ADJUSTING THE ANGLE

See Figure 5.

- Loosen the base retaining screw with the wrench until the base can be moved.
- Slide base forward slightly to release the base from the tab on the motor housing.
- Align the mark on the base of the desired angle with the edge of the motor housing.
- Once the desired angle is reached, slide the base back until the tab on the motor housing aligns with the appropriate notch on the rear of the base.
- Position the holder for the roller guide in such a manner that the guide roller faces against the back of the saw blade. Precise cuts are possible only when the guide roller faces tightly against the back of the saw blade.
- Re-tighten the base retaining screw with the wrench to secure the base.

TO MAKE A PLUNGE CUT

See Figure 6.

WARNING

To avoid loss of control, broken blades, or damage to the material being cut, always use extreme caution when making plunge cuts. We do not recommend plunge cutting on materials other than wood.

- Mark the line of cut clearly on the workpiece.
- Set the cutting angle at 0°.
- Tilt your saw forward so that it rests on the front edge of the base and blade will not come in contact with the workpiece when the saw is turned on.

English

- Make sure the blade is inside the area to be cut.
- Start your saw by using high speed and slowly lower the blade into the workpiece until the blade cuts through the wood.
- Continue lowering the blade into the workpiece until the base rests flat on the work surface, then move the saw forward to complete the cut.
- Use only the 7 teeth per inch blade for this type of cut.

METAL CUTTING

Many kinds of metals can be cut with your saw. Be careful not to twist or bend the blades. Do not force.

If the blade chatters or vibrates excessively, use a finetooth blade or higher speed. If blade heats excessively, use lower speed. If blade teeth become filled or clogged when cutting soft metals, such as aluminum, use a coarser-tooth blade or lower speed. We recommend the use of oil when cutting metals to keep blades cool, increase cutting action, and prolong blade life. Clamp the work firmly and cut close to the clamping point to eliminate any vibration of the workpiece being cut.

When cutting conduit, pipe or angle iron, clamp work in a vise if possible and saw close to the vise. To cut thin sheet materials smoothly, "sandwich" the material between hardboard or plywood and clamp the layers to eliminate vibration and material tearing. By doing this, the material will be cut smoothly. Lay out your pattern or line of cut on top of the "sandwich".

▲ IMPORTANT!

When cutting metal, keep exposed portion of saw bar clean and free of metal chips by wiping frequently with an oily cloth. Use extreme caution in disposing of oily cloth after completion of job to prevent potential fire hazard.

SAWDUST BLOWER DEVICE

See Figure 7.

- With the air jet of the sawdust blower device, the cutting line can be kept free of dust and chips.
- Switching on the sawdust blower device: For cuts in materials with high removal rate, such as in wood, plastic, etc.. Push dust blower button up.
- Switching off the sawdust blower device: For cuts in metal and when a dust extraction system (not included) is connected. Push dust blower button down.

TO CONNECT DUST EXTRACTION SYSTEM (NOT INCLUDED)

- Unplug the tool.

▲ WARNING

Failure to unplug your saw could result in accidental starting causing possible serious injury.

- Connect the nozzle of the dust collection system to the dust port.

OPTIONAL EDGE GUIDE (NOT INCLUDED)

See Figure 8.

An edge guide is available for use with your saw and can be used for making crosscuts and rip cuts.

TO INSTALL:

- Unplug your saw.

▲ WARNING

Failure to unplug your saw could result in accidental starting causing possible serious injury.

- Insert arm of the edge guide through the two slots in the base of your saw.
- Adjust edge guide to the desired width and lock in place with the edge guide screw.

▲ WARNING

When servicing, use only identical replacement parts. Use of any other parts may create a hazard or cause product damage.

LIVE TOOL INDICATOR

This tool features a live tool indicator which illuminates as soon as the tool is connected to the supply. This warns the user that the tool is connected and will operate when the switch is pressed.

MAINTENANCE

GENERAL

All other parts represent an important part of the class II insulation system and should be serviced only by a qualified service technician.

Avoid using solvents when cleaning plastic parts. Most plastics are susceptible to damage from various types of commercial solvents. Use clean cloths to remove dirt, dust, oil, grease, etc.

English

⚠ WARNING

Do not at any time let brake fluids, gasoline, petroleum-based products, penetrating oils, etc., come in contact with plastic parts. They contain chemicals that can damage, weaken or destroy plastic.

It has been found that electric tools are subject to accelerated wear and possible premature failure when they are used on fiberglass boats, sports cars, wallboard or plaster.

The chips and grindings from these materials are highly abrasive to electric tool parts such as bearings, brushes, commutators, etc.. Consequently, it is not recommended that this tool be used for extended work on any fiberglass material, wallboard or plaster. During any use on these materials it is extremely important that the tool is cleaned frequently by blowing with an air jet.

LUBRICATION

All of the bearings in this tool are lubricated with a sufficient amount of high grade lubricant for the life of the unit under normal operating conditions. Therefore, no further lubrication is required.

⚠ CAUTION

Keep extension cords away from the cutting area and position the cord so that it will not get caught on lumber, tools, etc., during cutting operation.

⚠ WARNING

Check extension cords before each use, if damaged replace immediately. Never use tool with a damaged cord as touching the damaged area could cause electrical shock resulting in serious injury.

Extension cords suitable for use with your saw are available at your nearest service center.

⚠ WARNING

Always wear safety goggles or safety glasses with side shields during power tool operation or when blowing dust. If operation is dusty, also wear a dust mask.

ENVIRONMENTAL PROTECTION



Recycle raw materials instead of disposing of as waste. The machine, accessories and packaging should be sorted for environmental-friendly recycling.

SYMBOL



Safety Alert

V

Volts

Hz

Hertz

~

Alternating Current

W

Watts

n₀

No-load speed

min⁻¹

Revolutions or reciprocations per minute



Maximum cutting capacity in wood



CE Conformity



Double Insulation



Wear ear protection



Wear eye protection



Please read the instructions carefully before starting the machine.



Waste electrical products should not be disposed of with household waste. Please recycle where facilities exist. Check with your Local Authority or retailer for recycling advice.