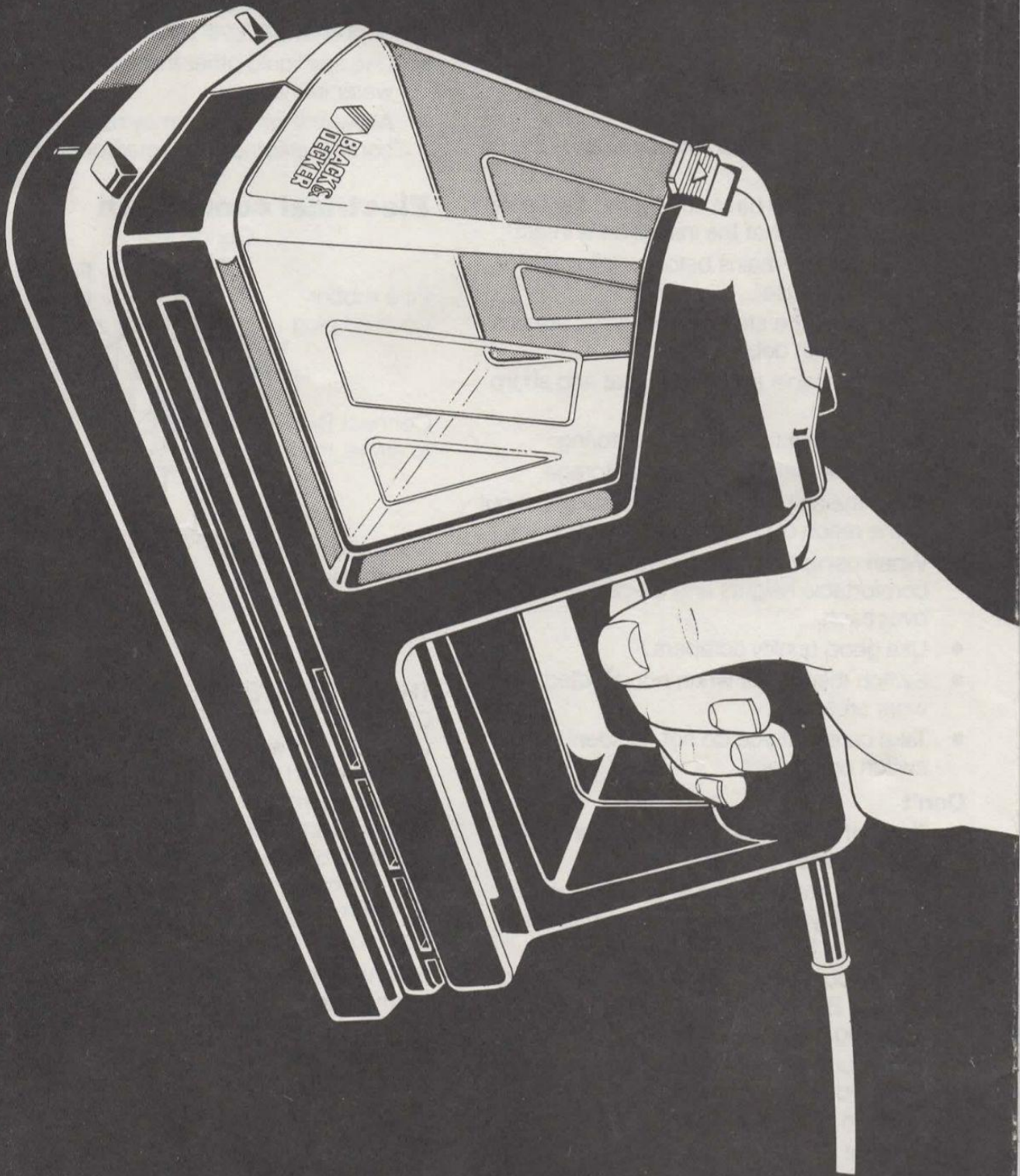
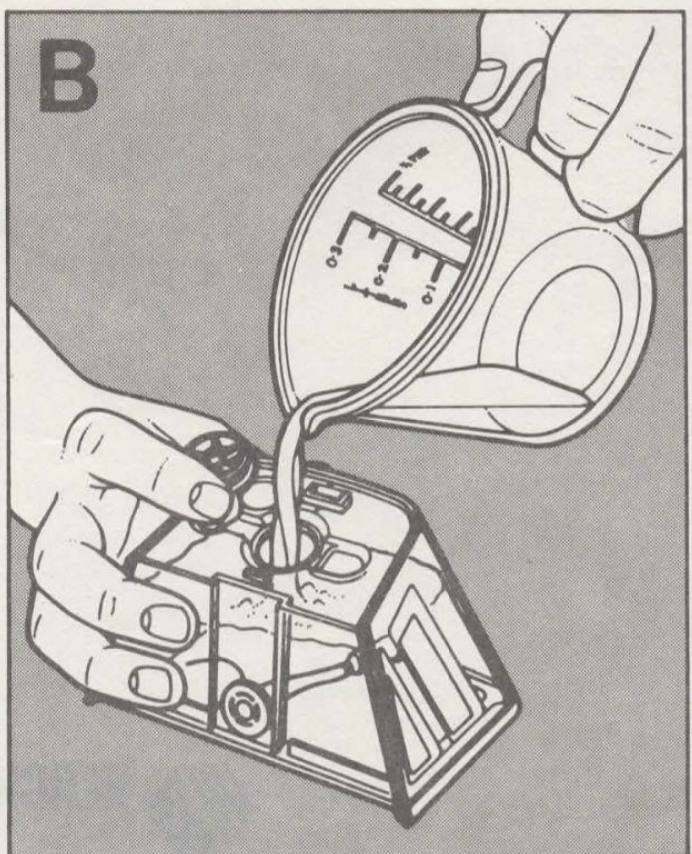
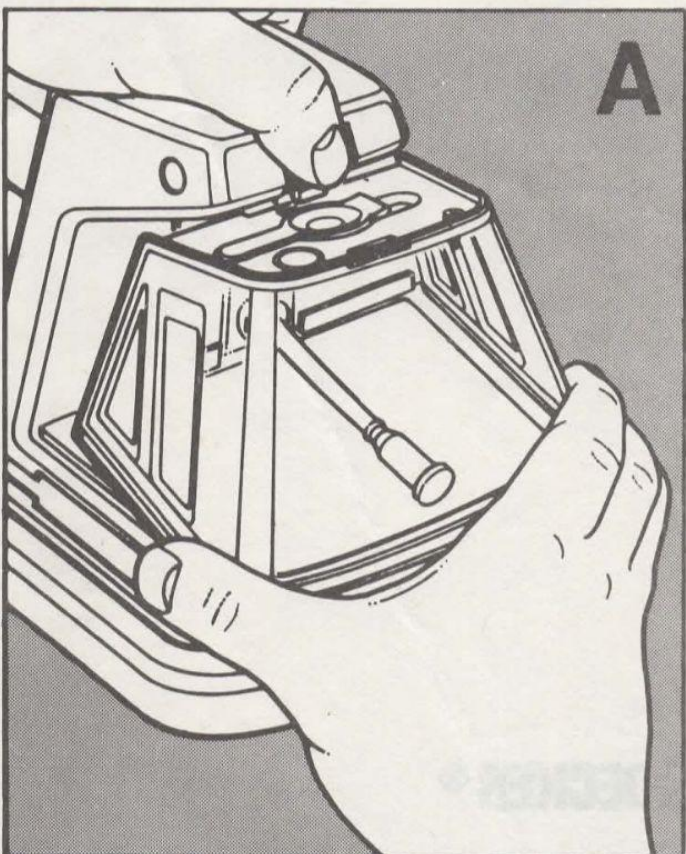
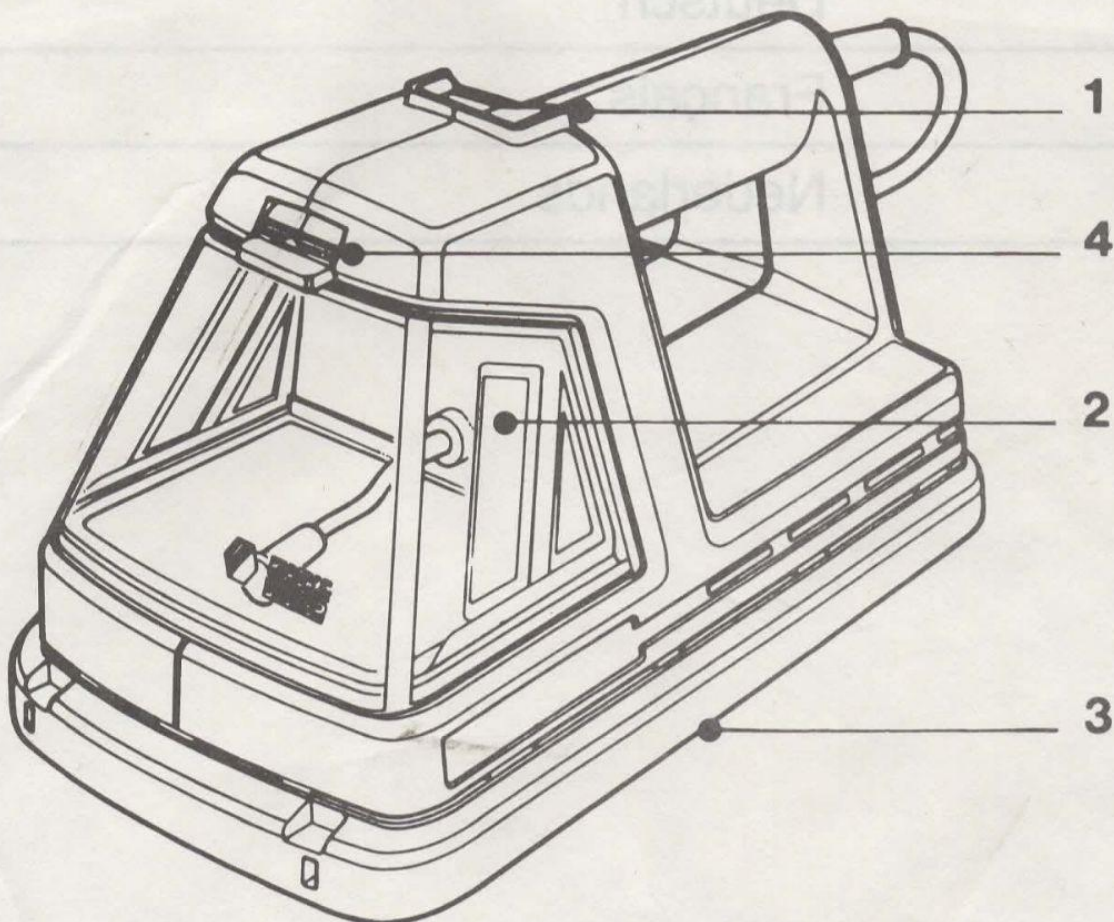


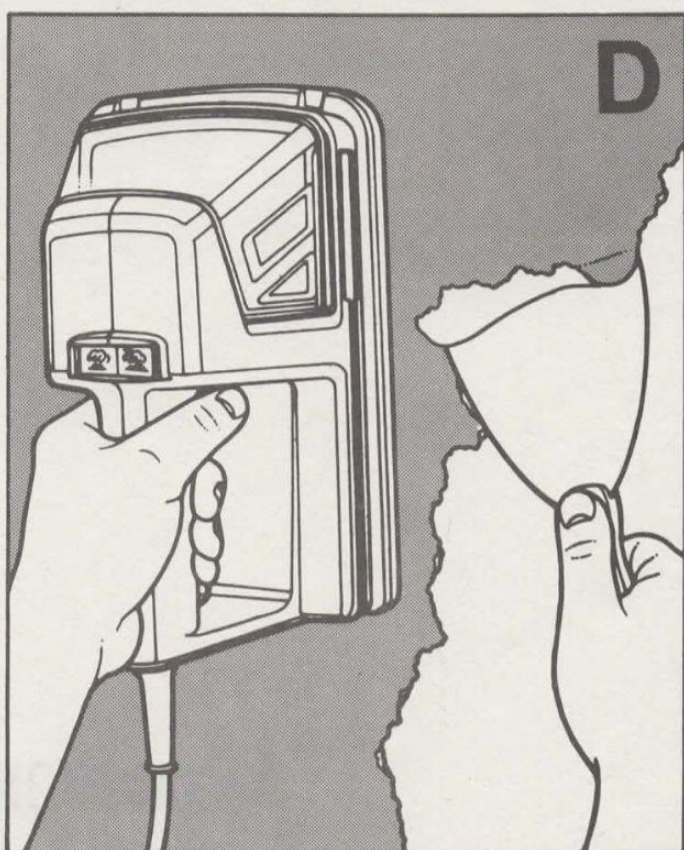
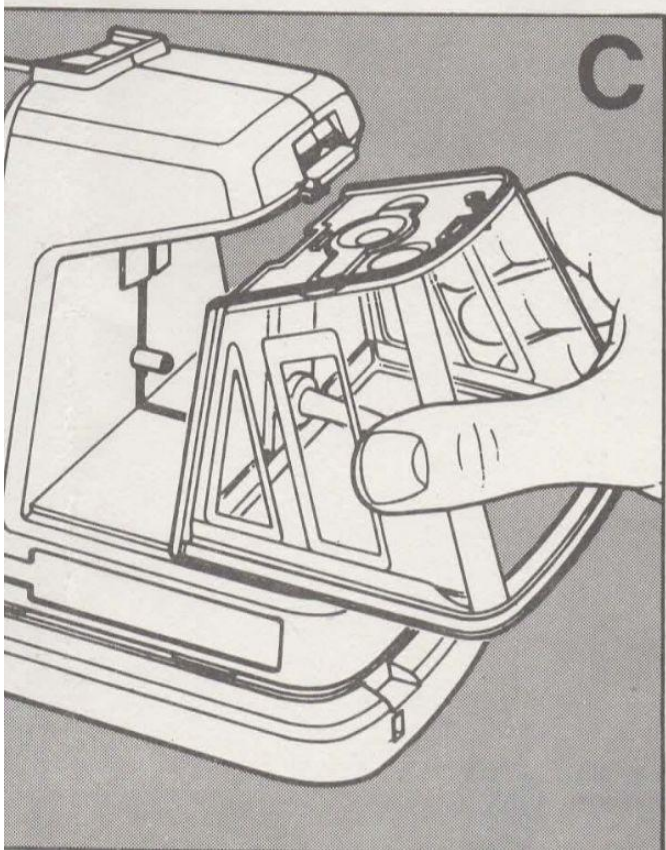
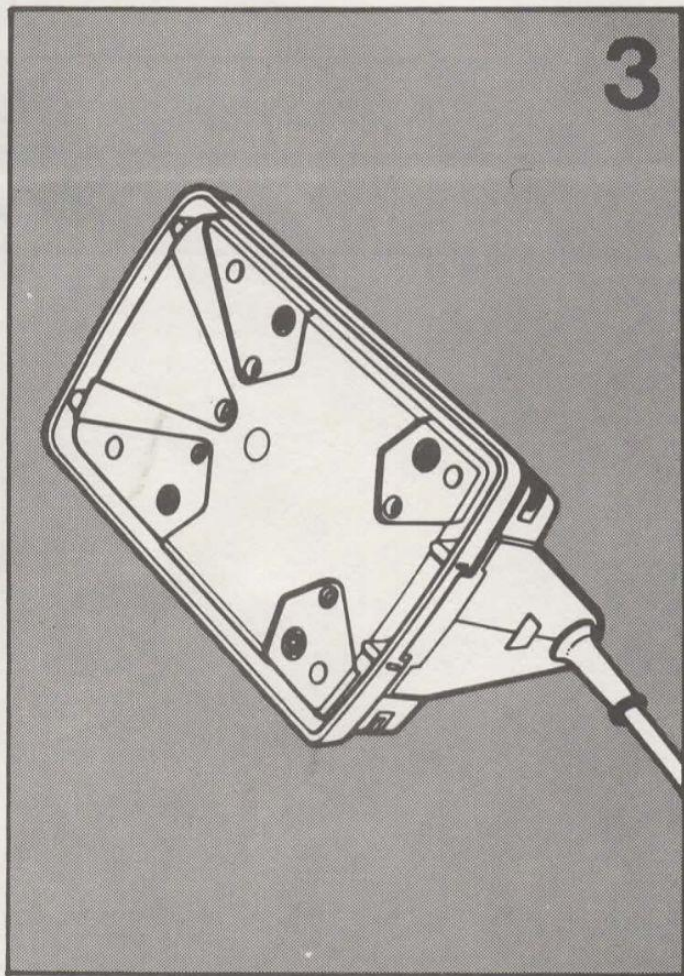
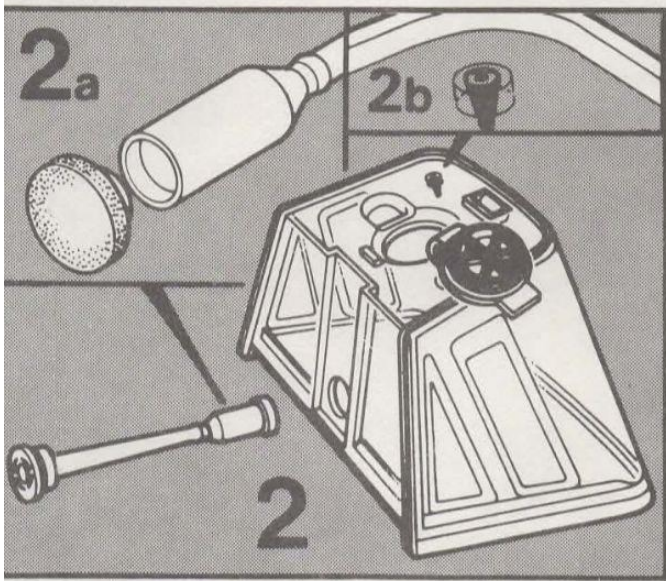
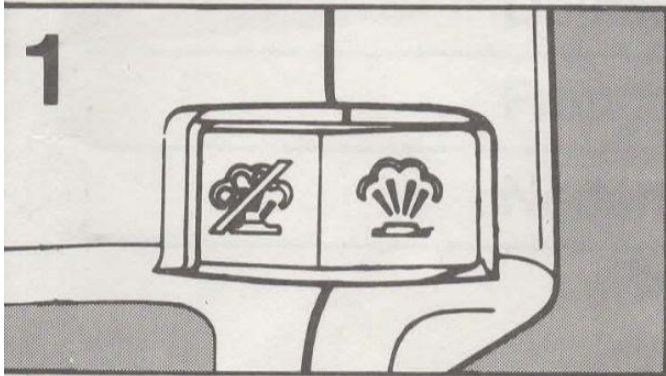


BLACK & DECKER®



English
Deutsch





BD1200

Wallpaper Stripper Instruction Manual

Before using your Wallpaper Stripper it is strongly recommended that you read this instruction leaflet carefully. Retain this leaflet for future reference.

Safety Rules

Do

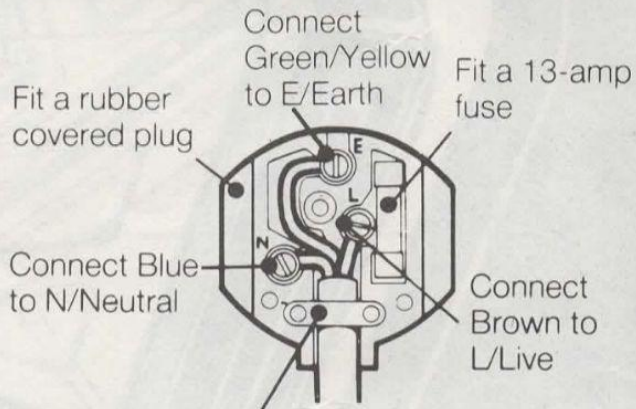
- Use a Residual Current Circuit Breaker (obtainable at Black & Decker Service Stations and all good electrical and DIY stores).
- Check that you have connected the cable correctly and that the insulation is intact.
- Unplug at the mains before refilling and when not in use.
- Check that the steam outlet holes are not blocked with debris.
- Keep the cable away from heat and sharp edges.
- Allow the unit to cool before storing.
- Empty the water tank before storage.
- Store the unit in a dry place and keep it out of the reach of children and animals.
- When using a ladder always work at comfortable heights and be careful not to overreach.
- Use good quality scrapers.
- Switch the unit off when not directed at the work area.
- Take care that you do not accidentally switch on the unit.

Don't

- Touch the base as it gets hot during use and remains hot after use.
- Point the steam outlet at yourself, others, pets or anything which may be damaged by steam. STEAM CAN SCALD.
- Open your unit. It must be returned to your nearest Black & Decker Service Station for servicing.
- Use your wallpaper stripper if it has been dropped or damaged, and check before re-using.
- Attempt to look at the base when the unit is in use.
- Carry the tool by the cable.

- Place the wallpaper stripper on or near electrical sockets or plugs as the steam may penetrate and may cause electric shock.
- Immerse the unit in water or other liquids, or pour water over the unit.
- Use any liquid other than cold clean tap water in the tank.
- Allow any water that may run down walls to contact electrical sockets/connections.

Electrical connection



Make sure that the outer sheath of the cable is held firmly by the clamp



240 Volts
AC only
Never use
a light socket.

THIS APPLIANCE MUST BE EARTHED AND CONNECTED TO AN EARTHED SOCKET OUTLET. We recommend that the unit should be connected to the mains via a portable residual current circuit breaker. Before using your appliance, ensure that the voltage indicated on the rating plate corresponds with your mains supply, which should be 240 volts ac (alternating current). If in doubt, seek advice from your nearest Electricity Board.

Extension cables must be 3-core with an earth conductor

As a General Guide to Fitting any Plug

- Ensure the lengths of wire inside the plug are prepared correctly.
- Connections should be firmly made after all conductor strands are entered into the termination posts.

- When preparing cable ends take care not to damage the outer sheath or the insulation surrounding the inner conductors.

Contents

Wallpaper stripper
User instructions
Guarantee card
Replacement filter

Description

1. Steam ON, Steam OFF Switch.
2. Water tank.
- 2a. Filter and water pick-up.
- 2b. Valve.
3. Base, Steam outlet holes and Rest position.
4. Water tank release clip.

Using your Wallpaper Stripper

Filling

Your wallpaper stripper has been designed to use cold clean tap water, but in very hard water areas it is advisable to use demineralised or distilled water. Do not use water containing any chemicals or additives such as vinegar or washing-up liquid, except as directed in the later section Care of your Black & Decker Wallpaper Stripper.

A The water tank must be removed to fill with water. To remove, lift the release clip, and at the same time gently pull the tank forward as shown in fig. A.


B Raise the cap covering the water-filling aperture and fill with water, as shown in fig. B.

C Replace the cap and slide the tank into position ensuring the rubber tank connection fits firmly over the water inlet pipe on the unit. See fig. C. If the lid or tank becomes damaged or leaks water, return your unit to your Black & Decker Service Station for repair.

Before plugging the unit in at the mains socket, ensure that the non-steam button is depressed, and that the unit is in the rest position as shown in fig. 3.

Plug in at the mains socket. The "power on" indicator at the rear of the unit should now light up and the heating element will now be switched on. If the indicator fails to light up:-

- a) Check that the plug has been properly wired (see "general guide to fitting any plug"), and check the fuse.

- b) If everything appears correct and the light still does not glow take the unit to your nearest Black & Decker Service Station. Wait at least 60 seconds then depress the "steam" () button (Fig.1). Steam will now be released. Some spitting of water may occur. This is normal and does not affect the performance of the unit.

The water in the detachable tank remains cool. Heating the water to produce steam takes place safely inside the unit.


NB If the unit fails to produce steam when the steam button is depressed please:

- a) Switch the unit off immediately at the mains socket.
- b) Check valve is in position and not blocked (Fig. 2b).
- c) Check that the filter pick-up device is not damaged (Fig. 2a).
- d) Check that the filter is not damaged or covered with debris (Fig. 2a).
- e) Check that the steam outlet holes are not blocked or covered with debris (Fig. 3).

If your wallpaper stripper still does not function, please return it to your nearest Black & Decker Service Station.

D Holding the unit in one hand and a good quality scraper in the other, place the unit directly onto the wallpaper. Leave it there for 10-20 seconds depending upon the type of paper. Remove the unit and scrape away the paper. Whilst you are scraping the paper away, place the unit on another section of paper, as shown in fig. D. In this way you will be able to build up a rhythm. Do not apply the unit to one place longer than necessary. It slows your rate of stripping and could damage the plaster.

CAUTION: The wallpaper stripper can be used on ceilings but be careful as condensed hot water can gather in the upturned base. Take care when removing the unit from the ceiling that you do not spill water over yourself or others

To stop the unit from steaming, depress the non-steam button (). NB To switch the unit and heating element off completely, you must unplug it at the mains socket.

ENGLISH

Before removing the water tank for refilling please ensure that the unit is switched off at the mains. Refilling can be carried out as frequently as necessary.

Care of your Black & Decker Wallpaper Stripper

Cleaning

The unit can be wiped clean with a damp cloth after use. **Do not immerse the unit in water or pour water over the unit.**

Changing Filters

Provided the tank is kept clean and only clean water is used the filter should give many hours of service. If it takes progressively longer to use a full tank of water when used continuously, the filter needs replacing. This can be easily done by pulling out the filter and replacing with a new filter (supplied), see fig. 2a.

Storage

If the unit has been used with hard water, please follow these instructions.

- After use and before you store your Wallpaper Stripper for a period of more than 2/3 weeks, add 1 tablespoon of vinegar to 1 full tank of water and fit the tank to your unit. (Do not use any additive other than vinegar.)
- Heat up the unit and then run the vinegar solution through the unit for about 5 minutes.
- Empty your tank of the vinegar solution and then flush out your tank with clean cold water. Wipe down your unit and remove any debris from the steam outlet holes before storage.
- This procedure protects your Wallpaper Stripper from the long-term effects of hard water and helps to maintain its efficiency.

Do not use vinegar or any other additives continuously while stripping Wallpaper as the continued use may damage your unit.

Hints on Use

Certain waterproof wallpapers and painted wallpapers are difficult to remove; thus, to help remove this stubborn wallpaper, we recommend that you "score" the paper before using the wallpaper stripper. This will help the steam reach the paste and make your scraping task much easier. When removing vinyl wallcoverings first remove the outer vinyl layer by pulling off and then apply your wallpaper stripper to the backing paper.

Accessories

We recommend that only Black & Decker accessories are used. Please consult your local Black & Decker dealer or Service Centre for more details.

Wallpaper Perforator

A Black & Decker wallpaper perforator (A9480) accessory is available which when used with the Black & Decker Wallpaper Stripper makes removing wallcoverings easier and quicker, especially washable types. The cutting section makes small sections of wallpaper separate, allowing steam to penetrate and moisten the adhesive.

The Black & Decker After-Sales Service

All Black & Decker products are scrupulously tested before leaving the factory. However, in the case of your power tool being defective, please take it to your nearest Black & Decker Service Station. All DIY and gardening products as well as the fittings we recommend are guaranteed for 12 months parts and labour. This product conforms to the legal requirements in force relating to radio & television interference.
