

STIHL®

STIHL MSA 140 C

Instruction Manual
Manual de instrucciones



WARNING

To reduce the risk of kickback injury use STIHL reduced kickback bar and STIHL low kickback chain as specified in this manual or other available low kickback components.

ADVERTENCIA

Para reducir el riesgo de lesionarse como resultado de un culatazo, utilice la barra y la cadena de contragolpe reducido de la forma especificada en este manual o de otros componentes reductores de contragolpe.

WARNING

Read Instruction Manual thoroughly before use and follow all safety precautions – improper use can cause serious or fatal injury.

ADVERTENCIA

Antes de usar la máquina lea y siga todas las precauciones de seguridad dadas en el manual de instrucciones – el uso incorrecto puede causar lesiones graves o mortales.



Instruction Manual

1 - 61

Manual de instrucciones

62 - 126

Contents

1	Introduction	3	8.3	Limbing	25
2	Guide to Using this Manual	3	8.4	Pruning	26
2.1	Signal Words	3	8.5	Cutting Logs Under Tension	27
2.2	Symbols in Text	3	8.6	Felling	28
3	Main Parts	4	9	Battery Safety	31
3.1	Chain Saw, Battery and Charger	4	9.1	Warnings and Instructions	31
4	Safety Symbols on the Products	5	10	Charger Safety	33
4.1	Chain Saw, Battery and Charger	5	10.1	Warnings and Instructions	33
5	General Power Tool Safety Warnings	6	11	Maintenance, Repair and Storage	34
5.1	Introduction	6	11.1	Warnings and Instructions	34
5.2	Work Area Safety	6	12	Before Starting Work	35
5.3	Electrical Safety	6	12.1	Preparing the Chain Saw for Operation	35
5.4	Personal Safety	6	13	Charging the Battery	36
5.5	Power Tool Use and Care	7	13.1	Setting up the Charger	36
5.6	Battery Tool Use and Care	7	13.2	Charging	36
5.7	Service	8	14	LED Diagnostics	37
5.8	General Chain Saw Safety Warnings	8	14.1	LEDs on the Battery	37
5.9	Causes and Operator Prevention of Kickback	9	14.2	LED on the Charger	37
6	IMPORTANT SAFETY INSTRUCTIONS	9	15	Assembling the Chain Saw	38
6.1	Intended Use	9	15.1	The Cutting Attachment	38
6.2	Operator	10	15.2	Mounting and Removing the Guide Bar and Saw Chain	38
6.3	Personal Protective Equipment	11	15.3	Tensioning the Saw Chain	40
6.4	Chain Saw	11	15.4	Lubricating the Saw Chain and Guide Bar	41
6.5	Using the Chain Saw	13	16	The Chain Brake	42
7	Kickback and Other Reactive Forces	18	16.1	Engaging the Chain Brake	42
7.1	Reactive Forces	18	16.2	Disengaging the Chain Brake	43
7.2	Kickback	19	16.3	Maintaining the Chain Brake	43
7.3	Pull-in	23	17	Inserting and Removing the Battery	43
7.4	Pushback	24	17.1	Inserting the Battery	43
8	Proper Techniques for Basic Bucking, Limbing, Pruning and Felling	24	17.2	Removing the Battery	44
8.1	Intended Uses	24	18	Switching the Chain Saw On and Off	44
8.2	Bucking	24	18.1	Switching On	44



This instruction manual is protected by copyright. All rights reserved, especially the rights to reproduce, translate and process with electronic systems.

18.2 Switching Off	45	28 Replacement Parts and Equipment	60
19 Checking the Chain Saw	45	28.1 Genuine STIHL Replacement Parts	60
19.1 Checking the Operation of the Chain Brake	45	29 Disposal	60
19.2 Testing the Controls	46	29.1 Disposal of the Chain Saw and Charger	60
19.3 Testing Saw Chain Lubrication	46	29.2 Battery Recycling	60
20 After Finishing Work	47	30 Limited Warranty	60
20.1 Preparing for Transportation or Storage	47	30.1 STIHL Incorporated Limited Warranty Policy	60
21 Transporting the Chain Saw and Battery	47	31 Trademarks	60
21.1 Chain Saw	47	31.1 Registered Trademarks	60
21.2 Battery	47	31.2 Common Law Trademarks	61
22 Storing the Chain Saw, Battery and Charger	48	32 Addresses	61
22.1 Chain Saw	48	32.1 STIHL Incorporated	61
22.2 Battery	48		
22.3 Charger	49		
23 Cleaning	49		
23.1 Cleaning the Chain Saw, Battery and Charger	49		
23.2 Cleaning the Guide Bar and Saw Chain	49		
24 Inspection and Maintenance	50		
24.1 Inspecting and Maintaining the Chain Saw	50		
24.2 Inspecting and Maintaining the Chain Sprocket	50		
24.3 Inspecting and Maintaining the Guide Bar	51		
24.4 Inspecting, Maintaining and Sharpening the Saw Chain	51		
25 Troubleshooting Guide	55		
25.1 Chain Saw and Battery	55		
25.2 Charger	56		
26 Specifications	57		
26.1 STIHL MSA 140 C	57		
26.2 Chain Sprockets	57		
26.3 Minimum Groove Depth of Guide Bars	57		
26.4 Sharpening Angle of Saw Chains	57		
26.5 Depth Gauge Setting	57		
26.6 STIHL AK Series Battery	57		
26.7 STIHL AL 101	57		
26.8 Symbols on the Chain Saw, Battery and Charger	57		
26.9 FCC 15 Compliance Statement	58		
27 Combinations of Guide Bars and Saw Chains	59		
27.1 STIHL MSA 140 C	59		

1 Introduction

Thank you for your purchase. The information contained in this manual will help you receive maximum performance and satisfaction from your STIHL chain saw and, if followed, reduce the risk of injury from its use.

SAVE THIS MANUAL!



Because a chain saw is a high-speed wood-cutting tool, special safety precautions must be observed to reduce the risk of personal injury.



Read this instruction manual thoroughly before use and periodically thereafter. Follow all safety precautions. Careless or improper use of the chain saw can cause serious or fatal injury.

Have your authorized STIHL servicing dealer show you how to operate your power tool.

Do not lend or rent your chain saw without this instruction manual. Allow only persons who fully understand the information in this manual to operate the chain saw.

For further information, or if you do not understand any of the instructions in this manual, please go to www.stihlusa.com (for Canada: www.stihl.ca) or contact your authorized STIHL servicing dealer.

2 Guide to Using this Manual

2.1 Signal Words

This manual contains safety information that requires your special attention. Such information is introduced with the following symbols and signal words:



DANGER

Indicates a hazardous situation that, if not avoided, will result in death or serious injury.



WARNING

Indicates a hazardous situation that, if not avoided, could result in death or serious injury.

NOTICE

Indicates a risk of property damage, including damage to the machine or its individual components.

2.2 Symbols in Text

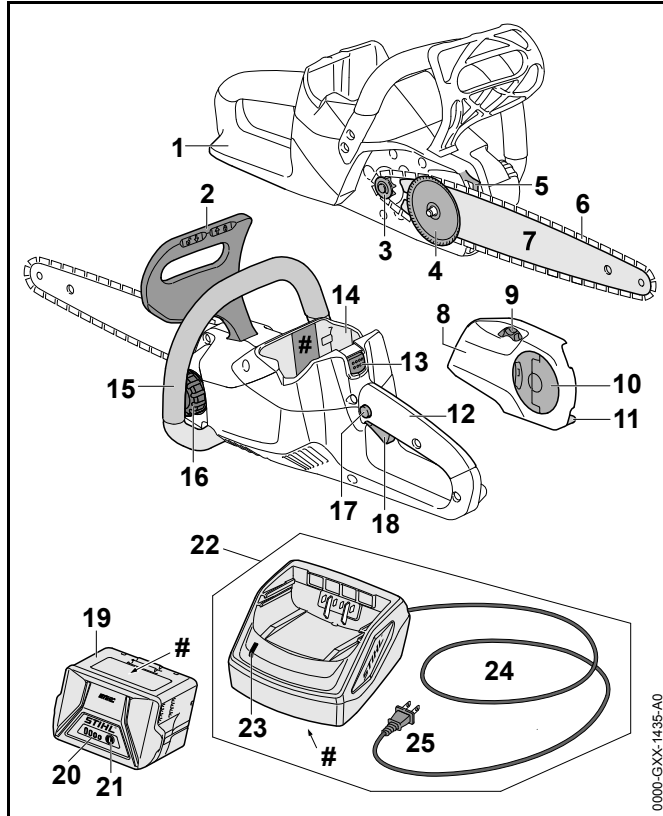
The following symbol is included to assist you with the use of the manual:



Refers to a designated chapter or sub-chapter in this instruction manual.

3 Main Parts

3.1 Chain Saw, Battery and Charger



1 Rear Hand Guard

Helps protect the operator's right hand in the event the chain breaks or comes off the bar.

2 Front Hand Guard

Helps protect the operator's left hand from projecting branches and contact with the saw chain. Serves as the activation lever for the chain brake.

3 Chain Sprocket

Drives the saw chain.

4 Tensioning Gear

Shifts the guide bar and tensions or loosens the saw chain.

5 Bumper Spike

Helps hold the saw steady against the tree, log or limb during cutting.

6 Saw Chain

Toothed cutting tool consisting of cutters, tie straps and drive links.

7 Guide Bar

Supports and guides the saw chain.

8 Chain Sprocket Cover

Covers the chain sprocket.

9 Adjusting Wheel

Permits precise adjustment of saw chain tension.

10 Wingnut

Tightens the chain sprocket cover to the chain saw.

11 Chain Catcher

Helps contain the saw chain and reduce the risk of operator contact in the event the chain breaks or comes off the bar.

12 Rear Handle

Handle for the operator's right hand.

13 Locking Lever

Secures the battery in the battery compartment.

14 Battery Compartment

Holds the battery.

15 Front handle

Handle for the operator's left hand.

16 Oil Filler Cap

Closes and seals the oil tank.

17 Trigger Switch Lockout

Prevents activation of the trigger switch until depressed.

18 Trigger Switch

Switches the motor on and off.

19 Battery

Supplies electrical power to the motor.

20 Battery LEDs

Indicate the battery's state of charge and display error messages regarding potential malfunctions in the battery or power tool.

21 Push Button

Activates the battery's LEDs.

22 Charger

Charges the battery.

23 Charger LED

Indicates the operating status of the charger.

24 Power Supply Cord

Supplies the charger with electricity when plugged into a wall outlet.

25 Plug

Connects the power supply cord to a wall outlet.

Rating Plate

Contains electrical information and the product's serial number.



Read and follow all safety precautions in the instruction manual. Improper use can lead to serious or fatal personal injury or property damage.



To reduce the risk of eye and head injury, always wear proper eye protection and an approved protective helmet, 6.3.



Avoid contact of the bar tip with any object. This can cause the bar to kick suddenly up and back, which may result in serious or fatal injury. Always use two hands to operate the saw, 7.



To reduce the risk of injury or property damage from unintended activation, remove the battery any time the saw is not in use, 6.5.



To reduce the risk of electric shock, do not expose the chain saw to rain, water or excessive moisture. Store it indoors. If it is exposed to rain or very damp conditions, take it to your authorized STIHL servicing dealer before further operation, 6.4.

To reduce the risk of personal injury or property damage from fire or electric shock, keep the charger dry. Protect it from rain, water, liquids and damp conditions. For indoor use only, 10.



To reduce the risk of personal injury or property damage from fire, explosion or burns, including chemical burns, do not disassemble, crush, drop, damage or heat the battery above 212 °F (100 °C). Never expose it to fire or incinerate, 9.



To reduce the risk of personal injury or property damage from a short circuit, fire or explosion, keep the battery dry. Protect it from rain, water, liquids and damp conditions. Never immerse the battery in water or other liquids, 9.

4 Safety Symbols on the Products


4.1 Chain Saw, Battery and Charger

The following safety symbols are found on the chain saw, battery and/or charger:



To reduce the risk of injury, follow the specified safety precautions.



To reduce the risk of personal injury or property damage from fire, use and store the battery only within an ambient temperature range of 14 °F to 122 °F (- 10 °C to 50 °C),  9.

5 General Power Tool Safety Warnings

5.1 Introduction

This chapter contains the prescribed general safety warnings and instructions for handheld, motor-operated electric power tools and motor-operated electric chain saws. Additional important warnings and instructions are provided in subsequent chapters of this manual.

⚠ WARNING

- **Read all safety warnings and all instructions.** Failure to follow the warnings and instructions may result in electric shock, fire and/or serious injury.
- **Save all warnings and instructions for future reference.**

The term "power tool" in the warnings refers to your mains-operated (corded) power tool or battery-operated (cordless) power tool.

5.2 Work Area Safety

- a) **Keep work area clean and well lit.** Cluttered or dark areas invite accidents.
- b) **Do not operate power tools in explosive atmospheres, such as in the presence of flammable liquids, gases or dust.** Power tools create sparks which may ignite the dust or fumes.
- c) **Keep children and bystanders away while operating a power tool.** Distractions can cause you to lose control.

5.3 Electrical Safety

- a) **Power tool plugs must match the outlet. Never modify the plug in any way. Do not use any adapter plugs with earthed (grounded) power tools.** Unmodified plugs and matching outlets will reduce the risk of electric shock.
- b) **Avoid body contact with earthed or grounded surfaces, such as pipes, radiators, ranges and refrigerators.** There is an increased risk of electric shock if your body is earthed or grounded.
- c) **Do not expose power tools to rain or wet conditions.** Water entering a power tool will increase the risk of electric shock.
- d) **Do not abuse the cord. Never use the cord for carrying, pulling or unplugging the power tool. Keep cord away from heat, oil, sharp edges or moving parts.** Damaged or entangled cords increase the risk of electric shock.
- e) **When operating a power tool outdoors, use an extension cord suitable for outdoor use.** Use of a cord suitable for outdoor use reduces the risk of electric shock.
- f) **If operating a power tool in a damp location is unavoidable, use a residual current device (RCD) protected supply.** Use of an RCD reduces the risk of electric shock.

5.4 Personal Safety

- a) **Stay alert, watch what you are doing and use common sense when operating a power tool. Do not use a power tool while you are tired or under the influence of drugs, alcohol or medication.** A moment of inattention while operating power tools may result in serious personal injury.
- b) **Use personal protective equipment. Always wear eye protection.** Protective equipment such as dust mask, non-skid safety shoes, hard hat, or hearing protection used for appropriate conditions will reduce personal injuries.

- c) **Prevent unintentional starting. Ensure the switch is in the off-position before connecting to power source and/or battery pack, picking up or carrying the tool.** Carrying power tools with your finger on the switch or energizing power tools that have the switch on invites accidents.
- d) **Remove any adjusting key or wrench before turning the power tool on.** A wrench or a key left attached to a rotating part of the power tool may result in personal injury.
- e) **Do not overreach. Keep proper footing and balance at all times.** This enables better control of the power tool in unexpected situations.
- f) **Dress properly. Do not wear loose clothing or jewellery. Keep your hair, clothing and gloves away from moving parts.** Loose clothes, jewellery or long hair can be caught in moving parts.
- g) **If devices are provided for the connection of dust extraction and collection facilities, ensure these are connected and properly used.** Use of dust collection can reduce dust-related hazards.
- h) **Do not let familiarity gained from frequent use of tools allow you to become complacent and ignore tool safety principles.** A careless action can cause severe injury within a fraction of a second.

5.5 Power Tool Use and Care

- a) **Do not force the power tool. Use the correct power tool for your application.** The correct power tool will do the job better and safer at the rate for which it was designed.
- b) **Do not use the power tool if the switch does not turn it on and off.** Any power tool that cannot be controlled with the switch is dangerous and must be repaired.
- c) **Disconnect the plug from the power source and/or remove the battery pack, if detachable, from the power tool before making any adjustments, changing accessories, or storing power tools.** Such preventive safety measures reduce the risk of starting the power tool accidentally.
- d) **Store idle power tools out of the reach of children and do not allow persons unfamiliar with the power tool or these instructions to operate the power tool.** Power tools are dangerous in the hands of untrained users.

- e) **Maintain power tools and accessories. Check for misalignment or binding of moving parts, breakage of parts and any other condition that may affect the power tool's operation. If damaged, have the power tool repaired before use.** Many accidents are caused by poorly maintained power tools.
- f) **Keep cutting tools sharp and clean.** Properly maintained cutting tools with sharp cutting edges are less likely to bind and are easier to control.
- g) **Use the power tool, accessories and tool bits etc. in accordance with these instructions, taking into account the working conditions and the work to be performed.** Use of the power tool for operations different from those intended could result in a hazardous situation.
- h) **Keep handles and grasping surfaces dry, clean and free from oil and grease.** Slippery handles and grasping surfaces do not allow for safe handling and control of the tool in unexpected situations.

5.6 Battery Tool Use and Care

- a) **Recharge only with the charger specified by the manufacturer.** A charger that is suitable for one type of battery pack may create a risk of fire when used with another battery pack.
- b) **Use power tools only with specifically designated battery packs.** Use of any other battery packs may create a risk of injury and fire.
- c) **When battery pack is not in use, keep it away from other metal objects, like paper clips, coins, keys, nails, screws or other small metal objects that can make a connection from one terminal to another.** Shorting the battery terminals together may cause burns or a fire.
- d) **Under abusive conditions, liquid may be ejected from the battery; avoid contact. If contact accidentally occurs, flush with water. If liquid contacts eyes, additionally seek medical help.** Liquid ejected from the battery may cause irritation or burns.

- e) **Do not use a battery pack or tool that is damaged or modified.** Damaged or modified batteries may exhibit unpredictable behaviour resulting in fire/explosion or risk of injury.
- f) **Do not expose a battery pack or tool to fire or excessive temperature.** Exposure to fire or temperatures above 100 °C may cause explosion.
- g) **Follow all charging instructions and do not charge the battery pack or tool outside the temperature range specified in the instructions.** Charging improperly or at temperatures outside the specified range may damage the battery and increase the risk of fire.

5.7 Service

- a) **Have your power tool serviced by a qualified repair person using only identical replacement parts.** This will ensure that the safety of the power tool is maintained.
- b) **Never service damaged battery packs.** Service of battery packs should only be performed by the manufacturer or authorized service provider.

5.8 General Chain Saw Safety Warnings

- a) **Keep all parts of the body away from the saw chain when the chain saw is operating. Before you start the chain saw, make sure the saw chain is not contacting anything.** A moment of inattention while operating chain saws may cause entanglement of your clothing or body with the saw chain.
- b) **Always hold the chain saw with your right hand on the rear handle and your left hand on the front handle.** Holding the chain saw with the reversed hand configuration increases the risk of personal injury and should never be done.
- c) **Hold the chain saw by insulated gripping surfaces only, because the saw chain may contact hidden wiring.** Saw chain contacting a "live" wire may make exposed metal parts of the chain saw "live" and could give the operator an electric shock.

- d) **Wear eye protection. Further protective equipment for hearing, head, hands, legs and feet is recommended.** Adequate protective equipment will reduce personal injury from flying debris and or accidental contact with the saw chain.
- e) **Do not operate a chain saw in a tree, on a ladder, from a rooftop, or any unstable support.** Operation of a chain saw in this manner could result in serious personal injury.
- f) **Always keep proper footing and operate the chain saw only when standing on fixed, secure and level surface.** Slippery or unstable surfaces may cause a loss of balance or control of the chain saw.
- g) **When cutting a limb that is under tension, be alert for spring back.** When the tension in the wood fibers is released, the spring loaded limb may strike the operator and/or throw the chain saw out of control.
- h) **Use extreme caution when cutting brush and saplings.** The slender material may catch the saw chain and be whipped toward you or pull you off balance.
- i) **Carry the chain saw by the front handle with the chain saw switched off and away from your body. When transporting or storing the chain saw, always fit the guide bar cover.** Proper handling of the chain saw will reduce the likelihood of accidental contact with the moving saw chain.
- j) **Follow instructions for lubricating, chain tensioning and changing the bar and chain.** Improperly tensioned or lubricated chain may either break or increase the chance for kickback.
- k) **Cut wood only. Do not use chain saw for purposes not intended. For example: do not use chain saw for cutting metal, plastic, masonry or non-wood building materials.** Use of the chain saw for operations different than intended could result in a hazardous situation.
- l) **Do not attempt to fell a tree until you have a clear understanding of all the necessary procedures.** Serious injury could occur to the operator or bystanders from a falling tree.

5.9 Causes and Operator Prevention of Kickback

- a) Kickback may occur when the nose or tip of the guide bar touches an object, or when the wood closes in and pinches the saw chain in the cut.
- b) Tip contact in some cases may cause a sudden reverse reaction, kicking the guide bar up and back towards the operator.
- c) Pinching the saw chain along the top of the guide bar may push the guide bar rapidly back towards the operator.
- d) Either of these reactions may cause you to lose control of the saw which could result in serious personal injury. Do not rely exclusively upon the safety devices built into your saw. As a chain saw user, you should take several steps to keep your cutting jobs free from accident or injury.
- e) Kickback is the result of chain saw misuse and/or incorrect operating procedures or conditions and can be avoided by taking proper precautions as given below:
 - 1) **Maintain a firm grip, with thumbs and fingers encircling the chain saw handles, with both hands on the saw and position your body and arm to allow you to resist kickback forces.** Kickback forces can be controlled by the operator, if proper precautions are taken. Do not let go of the chain saw.
 - 2) **Do not overreach and do not cut above shoulder height.** This helps prevent unintended tip contact and enables better control of the chain saw in unexpected situations.
 - 3) **Only use replacement guide bars and saw chains specified by the manufacturer.** Incorrect replacement guide bars and saw chains may cause chain breakage and/or kickback.
 - 4) **Follow the manufacturer's sharpening and maintenance instructions for the saw chain.** Decreasing the depth gauge height can lead to increased kickback.

6 IMPORTANT SAFETY INSTRUCTIONS

6.1 Intended Use

WARNING

- This chain saw is designed for cutting small diameter trees, branches and limbs around the home. It is not designed for felling large trees or cutting large diameter logs. Use of the chain saw for operations different than intended could result in serious injury or death.
 - Cut wood only. For example, do not use chain saw for cutting metal, plastic, masonry or any non-wood building materials.
 - Use this chain saw only for light-duty cutting tasks around the home and garden.
 - Do not use it for any other purposes. Misuse may result in personal injury or property damage, including damage to the chain saw.
- For cutting larger trees, logs or branches, a more powerful, faster saw may be necessary to reduce the risk of binding, stalling or other risks caused by a change in conditions during longer cutting times. This battery-operated chain saw is not suitable for cutting larger trees and logs, and its use could lead to a loss of control of the object being cut and serious personal injury or death.
 - A battery-powered chain saw is of only limited suitability for felling and limbing.
 - Before starting any felling operation, fully charge your STIHL AK battery and ensure that all cuts necessary to fell the tree can be completed on a single charge.
 - If you have any doubt that the tree can be brought down on a single charge, select a more powerful chain saw for the cutting task or consult a reputable tree removal professional before starting the felling operation.

- Before starting any bucking, limbing, pruning or felling operation, ensure that all necessary cuts can be completed using the charge remaining in the STIHL AK battery.
- Read and follow the operating and use instructions in this manual for approved applications and recommended working techniques.
- The STIHL AK series battery is designed for use only with compatible STIHL power tools.
- The STIHL AL series charger is designed for charging STIHL AK and AP series batteries only.
- Improper use could result in personal injury or property damage.
 - Use the chain saw, battery and charger only as described in this manual.

6.2 Operator

⚠ WARNING

- Working with the chain saw can be strenuous. The operator must be in good physical condition and mental health. To reduce the risk of personal injury from fatigue and loss of control:
 - Check with your doctor before using the chain saw if you have any health condition that may be aggravated by strenuous work.
 - Do not operate the chain saw while under the influence of any substance (drug, alcohol or medication, etc.) that might impair vision, balance, dexterity or judgment.
 - Be alert. Do not operate the chain saw when you are tired. Take a break if you become tired.
 - Do not permit minors to use the chain saw.
- Prolonged use of a chain saw (or other power tools) exposing the operator to vibrations may produce white finger disease (Raynaud's phenomenon) or carpal tunnel syndrome. These conditions reduce the hand's ability to feel and regulate temperature. They produce numbness and burning sensations and may also cause nerve and circulation damage as well as tissue necrosis.
- All factors which contribute to white finger disease are not known. Cold weather, smoking and diseases or physical conditions that affect blood vessels and blood transport, as well as high vibration levels and long periods of exposure to vibration, are mentioned as factors in the development of white finger disease.
- To reduce the risk of white finger disease and carpal tunnel syndrome:
 - Wear gloves and keep your hands warm.
 - Keep the chain saw well maintained. An improperly maintained chain saw or one with loose components will tend to have higher vibration levels.
 - Keep the saw chain sharp. A dull saw chain will increase cutting time, and pressing a dull saw chain through wood will increase the vibrations transmitted to your hands.
 - Maintain a firm grip at all times, but do not squeeze the handles with constant, excessive pressure. Take frequent breaks.
- These precautions do not guarantee that you will not sustain white finger disease or carpal tunnel syndrome.
 - Closely monitor the condition of your hands and fingers if you are a regular user.
 - Seek medical advice immediately if any of the above symptoms appear.
- According to STIHL's current knowledge, the electric motor of this chain saw should not interfere with a pacemaker.
 - However, persons with a pacemaker should consult their physician and pacemaker manufacturer before operating this chain saw.

6.3 Personal Protective Equipment

⚠ WARNING

- To reduce the risk of personal injury:
 - Always wear proper clothing and protective apparel, including proper eye protection.
- Loss of control and severe cut injuries may result if hair, clothing or apparel make contact with the moving saw chain or otherwise become entangled in the components of the saw. To reduce the risk of severe personal injury:



- Wear sturdy and snug-fitting clothing that also allows complete freedom of movement.
- Wear the type of overalls, long pants or chaps that contain pads of cut-retardant material.

- Wear a long-sleeve shirt or jacket.
 - Avoid loose-fitting jackets, scarves, neckties, flared or cuffed pants, jewelry and any other apparel that could be caught on branches, brush or the moving saw chain.
 - Secure hair above shoulder level before starting work.
- To reduce the risk of eye injury:



- Always wear goggles or close-fitting protective glasses with adequate side protection that are impact-rated and marked as complying with ANSI Z87 "+" (for Canada: CSA Z94).
- To reduce the risk of injury to your face, STIHL recommends that you also wear a face shield or face screen over your goggles or protective glasses.

- To reduce the risk of head injury from falling branches or other objects encountered during work:
 - Wear an approved protective helmet.
- Chain saw noise may damage your hearing. Although this battery-powered product is relatively quiet, to reduce the risk of hearing damage:
 - Wear sound barriers (ear plugs or ear muffs).
 - Regular operators should have their hearing checked periodically.
 - Be particularly alert and cautious when using hearing protection. Your ability to hear shouts, alarms or other audible warnings is restricted.
- To help maintain a secure footing and reduce the risk of injury while working:



- Wear sturdy boots with non-slip soles. Steel-toed safety boots are recommended. Do not wear sandals, flip-flops, open-toed or similar footwear.

- To improve your grip and help protect your hands:



- Always wear heavy-duty work non-slip gloves made of leather or another wear-resistant material when handling the chain saw or its chain.





6.4 Chain Saw

⚠ WARNING

- To reduce the risk of electric shock:








- Do not expose the chain saw to rain, water or excessive moisture.
- Store the chain saw indoors.

- The saw chain has many sharp cutters. If the cutters contact you, it will result in serious cut injuries, even if the chain is not moving. To reduce the risk injuries:
 - Keep hands, feet and other parts of your body away from the saw chain.
 - Wear heavy-duty work gloves when handling the chain saw or its chain.
 - Never touch a moving saw chain with your hand or any other part of your body.
 - Cover the guide bar with a chain scabbard before transporting or storing the chain saw to reduce the risk of inadvertent contact.
 - Reactive forces, including kickback, can be dangerous.
 - Pay special attention to the section of this instruction manual on "Kickback and Other Reactive Forces,"  7.
 - This battery-powered chain saw is intended only for light-duty garden and landscape maintenance around the home. Use for other purposes may increase the risk of personal injury and property damage.
 - Do not use the chain saw for felling large trees or cutting large diameter logs.
 - Read and follow the operating instructions in this manual for approved applications,  8.
 - To reduce the risk of personal injury to the operator and bystanders:
 - Always release the trigger switch, engage the chain brake by moving the front hand guard to  and remove the battery before assembling, transporting, adjusting, inspecting, cleaning, servicing, maintaining or storing the chain saw and any other time it is not in use.
-
- Although certain unauthorized attachments may fit STIHL chain saws, their use may be extremely dangerous. Only attachments supplied by STIHL or expressly approved by STIHL for use with this specific model are authorized.
 - Use only attachments supplied or expressly approved by STIHL.
 - Never modify this chain saw in any way.
 - If the chain saw is dropped or subjected to similar heavy impacts:
 - Check that it is undamaged, in good condition and functioning properly before continuing work.
 - Check that the controls and safety devices, including the chain brake, are working properly.
 - Check the LEDs for error messages,  14.1.2.
 - Check that the battery has not been damaged. Never use or charge a malfunctioning, damaged, cracked, leaking or deformed battery.
 - Never work with a damaged or malfunctioning chain saw or battery. In case of doubt, have it checked by your authorized STIHL servicing dealer.
 - If the chain saw is damaged, not working properly, has been left outdoors, exposed to rain or damp conditions or dropped into water or other liquid, its components may no longer function properly and safety devices may be inoperative. To reduce the risk of personal injury and property damage:
 - Take the chain saw to your authorized STIHL servicing dealer to be checked before further operation.
 - Genuine STIHL replacement parts are specifically designed to match your chain saw model and meet safety and performance requirements. Use of parts that are not authorized or approved by STIHL may cause serious or fatal injury or property damage.
 - STIHL recommends that only identical STIHL replacement parts be used for repair or maintenance.

6.5 Using the Chain Saw

6.5.1 Before Operation

WARNING

- Misuse may result in personal injury and property damage.
 - Use the chain saw only as described in this instruction manual.
- For proper assembly of the bar and chain:
 - Read and follow the instructions on mounting the guide bar and saw chain,  15.2.1.
- The saw chain, guide bar and sprocket must match each other in gauge and pitch. Before mounting or replacing:
 - Read the information on guide bar and saw chain combinations,  27.
 - Read and follow the instructions on kickback and other reactive forces,  7.
 - Select the shortest bar that will meet your cutting needs. Longer bars add weight and may be more difficult to control.
- Proper tension of the saw chain is extremely important to maximize cutting performance and reduce the risk of personal injury from chain breakage, derailment or reactive forces:
 - Read and follow the chain tensioning instructions,  15.3.
 - Always make sure the chain sprocket cover is tightened securely after tensioning the saw chain in order to secure the bar. Never start the chain saw with the chain sprocket cover loose or missing.
 - Check saw chain tension once more after tightening the chain sprocket cover.
 - After adjusting the saw chain, let the motor run for a minute or two, then switch the motor off and engage the chain brake. Remove the battery and recheck chain tension.
- Check saw chain tension periodically thereafter at regular intervals (only after engaging the chain brake and removing the battery).
- Never cut with a loose chain. If the saw chain becomes loose while cutting, switch off the motor, engage the chain brake and remove the battery from the chain saw before tightening the chain. Never attempt to adjust the saw chain while the battery is inserted.
- Using a chain saw that is damaged, improperly adjusted or maintained, or not completely and securely assembled can lead to a malfunction and increase the risk of serious personal injury or death.
 - Never operate a chain saw that is damaged, improperly maintained or not completely and securely assembled.
 - Always check your chain saw for proper condition and operation before starting work, particularly the trigger switch, trigger switch lockout, front hand guard, chain brake and cutting attachment.
 - Ensure that the trigger switch and trigger switch lockout move freely and always spring back to the locked position when released. The trigger switch must not engage until the trigger switch lockout is depressed.
 - Never attempt to modify or override the controls or safety devices in any way.
 - If your saw or any part is damaged or does not function properly, take it to your authorized STIHL servicing dealer. Do not use the saw until the problem has been corrected.
- Before inserting the battery:
 - Check the contacts in the battery compartment for corrosion or other foreign matter and keep clean.
 - Never insert or use a malfunctioning, damaged, cracked, leaking or deformed battery.
 - Read and follow the instructions on switching on the chain saw,  18.1.

- To help reduce the risk of serious personal injury or death from unintentional starting:

- Be sure the trigger switch and trigger switch lockout are in the off position when inserting the battery.
- Never carry the chain saw with your finger on the trigger switch.
- Release the trigger switch and trigger switch lockout and engage the chain brake before removing the battery.



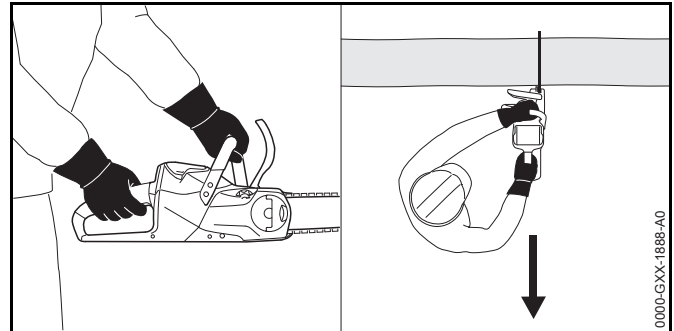
- Remove the battery and engage the chain brake before assembling, transporting, adjusting, inspecting, cleaning, servicing, maintaining or storing the chain saw and any time it is not in use.

- Never leave the chain saw unattended when the battery is inserted.
- Never store the battery in the chain saw.

- Before disengaging the chain brake and switching on your chain saw, take the following steps to reduce the risk of personal injury from reactive forces, loss of control or inadvertent contact:

- Be sure that the guide bar and saw chain are clear of you and all other obstructions and objects, including the ground.
- Never attempt to switch on the chain saw when the guide bar is in a cut or kerf. Doing so could lead to reactive forces and injury.
- Read and follow the instructions on switching on the chain saw, 18.2.

6.5.2 Holding and Controlling the Chain Saw



⚠ WARNING

- To maintain a firm grip and properly control your chain saw:
 - Keep the handles clean and dry at all times. Keep them free of moisture, pitch, oil, grease and resin.
- To reduce the risk of serious or fatal injuries to the operator or bystanders from loss of control:



- Avoid contacting any object with the upper quadrant of the tip of the guide bar. It may cause kickback to occur.



- Always hold the chain saw firmly with both hands when you are working.

- Place your left hand on the front handle and your right hand on the rear handle (see illustration above). Left-handers must follow these instructions too.
- Wrap your fingers tightly around the handles, keeping the handles cradled between your thumb and forefinger.

- Position the chain saw in such a way that all parts of your body are clear of the cutting attachment whenever the motor is running. Stand to the left of the cut while bucking, outside of the cutting plane (see illustration above).

- Operating the chain saw with one hand is extremely dangerous. One-handed operation makes it difficult to oppose and absorb reactive forces (pushback, pull-in, kickback) without losing control of the chain saw. It also makes it difficult to prevent the bar and chain from skating or bouncing along a limb or log. To reduce the risk of serious or fatal injury to the operator or bystanders from loss of control:



- Never use the chain saw with one hand.

- To reduce the risk of serious or fatal cut injuries to the operator or bystanders from loss of control, keep proper footing and balance at all times:
 - Do not work in wet grass or terrain.
 - Take special care in overgrown terrain and always watch for hidden obstacles such as tree stumps, roots, rocks, holes and ditches to avoid stumbling.
 - Be extremely cautious when working on slopes or uneven ground.
 - For better footing, always clear away fallen branches, scrub and cuttings. Freshly debarked logs and other material can increase the danger of slipping, tripping or falling.
 - Use extreme caution when cutting small-size brush, branches and saplings because slender material may catch the saw chain and spring toward you or pull you off balance.
- To reduce the risk of injury from loss of control:



- Never work on a ladder, roof, in a tree or while standing on any other insecure support.
- Never operate the chain saw above shoulder height.
- Do not overreach. Keep proper footing and balance at all times.
- Never attempt to switch on the chain saw when the guide bar is in a cut or kerf. Doing so could lead to reactive forces and injury.
- The bumper spike is designed to provide greater control of the chain saw while cutting. If you work without the bumper spike, the chain saw may pull you forward suddenly. This could cause loss of control or, if the tip strikes an object, kickback.
 - Always work with the bumper spike to maintain better control of the saw.
- Applying pressure to the chain saw when reaching the end of a cut may cause the bar and rotating saw chain to accelerate out of the kerf, go out of control and strike the operator or some other object. To reduce the risk of injury:
 - Use caution when approaching the end of a cut.
 - Never put pressure on the chain saw when reaching the end of a cut.
 - STIHL recommends that first-time chain saw users cut logs on a sawhorse.

6.5.3 Working Conditions

⚠ WARNING

- Operate your chain saw only under good visibility during favorable daylight conditions.
 - Postpone the work if the weather is windy, foggy, rainy or inclement.
 - Never cut near power lines.

- Your chain saw is a one-person machine.
 - Do not allow other persons in the general work area.
 - Switch off the motor immediately if you are approached.
- To reduce the risk of injury to bystanders and unauthorized users:
 - Never leave the chain saw unattended when the battery is inserted.
 - Switch off the chain saw, engage the chain brake and remove the battery during work breaks and any other time the chain saw is not in use.
- Sparks generated from the operation of the chain saw may be capable of igniting combustible gases, liquids, vapors, dusts or other combustible materials and substances. To reduce the risk of fire and explosion:
 - Never operate the chain saw in a location where combustible gases, liquids, vapors, dusts or other combustible materials and substances are present.
 - Read and follow recommendations issued by government authorities (e.g., OSHA; for Canada: CCOHS) for identifying and avoiding the hazards of combustible gases, liquids, vapors, dusts or other combustible materials and substances.
- If a rotating saw chain strikes a rock or other hard object, sparks may be created, which can ignite flammable materials under certain circumstances. Flammable materials can include dry vegetation and brush, particularly when weather conditions are hot and dry.
 - When there is a risk of fire or wildfire, do not use your chain saw around flammable materials or around dry vegetation or brush.
 - Contact your local fire authorities or the U.S. Forest Service (for Canada: Canadian Forest Service) if you have any question about whether vegetation and weather conditions are suitable for the use of a chain saw.
- Use of this chain saw (including sharpening the saw chain) can generate dust, oil mist and other substances containing chemicals known to cause respiratory problems, cancer, birth defects and other reproductive harm.
 - Consult governmental agencies such as EPA, OSHA, CARB and NIOSH (for Canada: ECCC, CCOHS and PHAC) and other authoritative sources on hazardous materials if you are unfamiliar with the risks associated with the particular substances you are cutting or with which you are working.
- Inhalation of certain dusts, especially organic dusts such as mold or pollen, can cause susceptible persons to have an allergic or asthmatic reaction. Substantial or repeated inhalation of dust or other airborne contaminants, especially those with a smaller particle size, may cause respiratory or other illnesses. This includes wood dust, especially from hardwoods, but also from some softwoods such as Western Red Cedar.
 - Control dust (such as saw dust) and mists (such as oil mist from chain lubrication) at the source where possible.
 - Always work with a properly sharpened saw chain, which produces wood chips rather than fine dust.
 - To the extent possible, operate the chain saw so that the wind or operating process directs any dust, mist or other particulate matter raised by the chain saw away from the operator.
 - When respirable dust or other particulate matter cannot be kept at or near background levels, always wear an approved and properly rated respirator and follow the recommendations of governmental authorities (e.g., OSHA/NIOSH/MSHA; for Canada: CCOHS/PHAC/MSHA) and occupational and trade associations.

- If the vegetation being cut or the surrounding ground is coated with a chemical substance, such as pesticide or herbicide:
 - Read and follow the instructions and warnings that accompanied the substance coating the vegetation or surrounding ground.
- Breathing asbestos dust is dangerous and can cause severe or fatal illness, respiratory illness or cancer, including mesothelioma. The use and disposal of asbestos-containing products is strictly regulated by OSHA and the EPA (for Canada: CCOHS and ECCC).
 - Do not use your chain saw to cut or disturb asbestos or asbestos-containing products.
 - Stop work immediately and contact the relevant state and local authorities and/or EPA (for Canada: ECCC), your employer or local OSHA (for Canada: CCOHS) representative if you have reason to believe that you might be disturbing asbestos.
- Repeated contact with waste oil can cause skin cancer and its use is harmful to the environment.
 - Do not use waste oil to lubricate the bar and chain of your STIHL chain saw.

6.5.4 Operating Instructions

⚠ WARNING

- To reduce the risk of severe personal injuries from unintentional starting:
 - Never touch a saw chain with your hand or any part of your body when the battery is inserted, even when the chain is not rotating.
- The saw chain continues to move for a short period after the trigger switch is fully released.
 - Wait for the chain to stop and engage the chain brake before putting the chain saw down.
- In the event of an emergency:
 - Switch off the motor immediately, engage the chain brake and remove the battery.
- Your chain saw is equipped with a chain catcher. It is designed to reduce the risk of personal injury in the event of a thrown or broken chain.
 - Never operate the chain saw with a damaged or missing chain catcher.
- Contacting foreign objects while sawing might cause the chain to break or be thrown, or cause the chain saw to propel dangerous debris or kick back in the direction of the operator. To reduce the risk of severe or fatal personal injury caused by contact with foreign objects:
 - Inspect the tree, log or branch before cutting.
 - Remove any foreign objects to ensure that the wood is free of materials such as nails, spikes, cables, or wires.
 - Before starting a cut, ensure that it can be completed without contacting surrounding objects or structures such as fencing or stonework.

- If the rotating saw chain strikes a rock or other hard object, sparks may be created, which can ignite flammable materials under certain circumstances. Flammable materials can include dry vegetation and brush, particularly when weather conditions are hot and dry.
 - Do not use your chain saw around flammable materials or around vegetation or brush when there is a risk of fire or wildfire.
 - Contact your local fire authorities or the U.S. Forest Service if you have any question about whether vegetation and weather conditions are suitable for the use of a chain saw.
- Check the saw chain and guide bar at regular short intervals during operation, or immediately if there is a change in cutting behavior:
 - Switch off the motor, activate the chain brake and remove the battery.
 - Check the condition and tension of the saw chain. Look for damage to the chain or guide bar.
 - If the condition persists, stop work immediately and take your chain saw to an authorized STIHL servicing dealer for inspection, repair or maintenance.

DANGER

- To reduce the risk of electrocution:



- Never operate this chain saw in the vicinity of any wires or cables that may be carrying electric current.
- Never cut near power lines.
- Do not rely on the chain saw's insulation against electric shock.

7 Kickback and Other Reactive Forces

7.1 Reactive Forces

WARNING

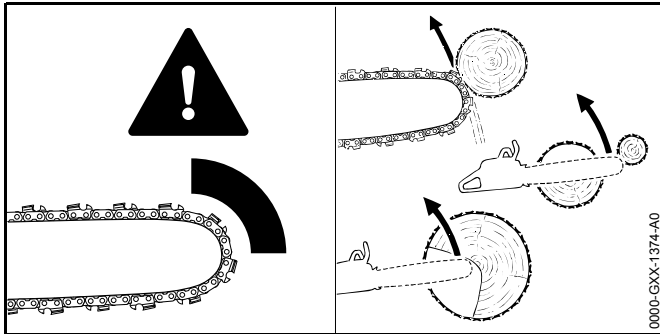
- Reactive forces may occur any time the chain is rotating. Reactive forces can cause serious or fatal personal injury.
- The powerful forces used to cut wood can be reversed and work against the operator. If the rotating saw chain is suddenly and significantly slowed or stopped by contact with any solid object such as a log or branch or is pinched, the reactive forces may occur instantly.
- These reactive forces may result in loss of control, which, in turn, may cause serious or fatal injury.
 - An understanding of the causes of these reactive forces may help you avoid the element of surprise and loss of control. Surprise contributes to accidents.

The most common reactive forces are:

- Kickback
- Pull-in
- Pushback

7.2 Kickback

7.2.1 Kickback



⚠ WARNING



Kickback may occur when the moving saw chain near the upper quadrant of the bar nose contacts a solid object or is pinched.

- When this occurs, the energy driving the saw chain can create a force that moves the chain saw in a direction opposite to the saw chain movement at the point where the saw chain is slowed or stopped. This may fling the bar up and back in a lightning fast reaction mainly in the plane of the bar and can cause severe or fatal injury to the operator.
- Kickback may occur, for example, when the saw chain near the upper quadrant of the bar nose contacts the wood or is pinched during limbing or when it is incorrectly used to begin a plunge or boring cut.
- The greater the force of the kickback reaction, the more difficult it becomes for the operator to control the chain saw. Many factors influence the occurrence and force of the kickback reaction. These include saw chain speed, the speed at which the bar and saw chain contact the object,

the location and angle of contact, the condition of the saw chain, and how quickly the chain is slowed or stopped, among other factors.

- The type of bar and saw chain you use is an important factor in the occurrence and force of the kickback reaction. Some STIHL bar and chain types are designed to reduce kickback forces.
- STIHL recommends the use of reduced kickback bars and low kickback chains.

7.2.2 Chain Saw Kickback Standards

The following standards apply with respect to kickback:

- § 19.108 of UL 60745-2-13
- § 5.11 of ANSI/OPEI B175.1
- for Canada: CSA Z62.3

These standards, referred to as "the chain saw kickback standards" in this chapter, set certain performance and design criteria related to chain saw kickback.

To comply with the chain saw kickback standards, electric chain saws:


- must, in their original condition, meet a 45° computer-derived kickback angle when equipped with certain cutting attachments; and
- must be equipped with at least two devices to reduce the risk of kickback injury, such as a chain brake, low kickback chain, reduced kickback bar, etc.

The computer-derived angles for electric chain saws are measured by applying a computer program to test results from a kickback test machine.

⚠ WARNING

- Compliance with the chain saw kickback standards does not mean that the bar and saw chain will rotate at most 45° in a real life kickback. The computer-derived angles of the chain saw standards may bear no relationship to actual kickback bar rotation angles that may occur in a real life cutting situation. Devices designed to reduce the risk of

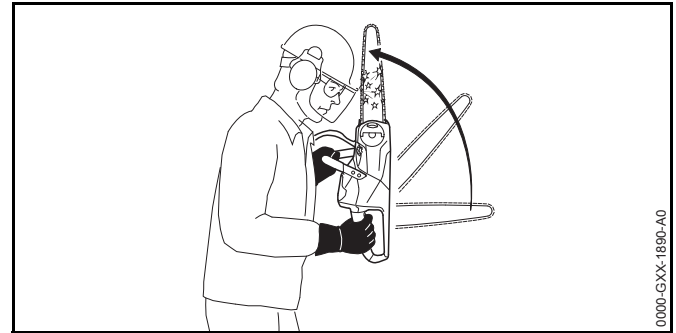
kickback injuries may lose some of their effectiveness when they are no longer in their original condition, especially if they have been improperly maintained.

- Read and follow the safety precautions and instructions in this manual.
 - When working, always position the chain saw such that your body is clear of the cutting attachment and outside of the cutting plane.
 - Follow the maintenance and service instructions in this manual.
- For the chain saw to meet the chain saw kickback standards, use only the following cutting attachments:
- Compliant bar and chain combinations listed in "Combinations of Guide Bars and Saw Chains,"  27;
 - Other replacement bar and saw chain combinations marked in accordance with the standards for use on the chain saw; or
 - Replacement saw chain designated "low kickback saw chain."

7.2.3 Devices for Reducing the Risk of Kickback Injury

The STIHL Quickstop chain brake and STIHL's green-labeled, reduced kickback bars and green-labeled, low kickback saw chains are designed to reduce the risk of kickback injury.

1. STIHL Quickstop Chain Brake







There are two mechanisms for activating the chain brake if it is in a properly maintained condition:

- **Manual Activation:** If a kickback occurs, the chain saw moves upwards toward the user in a rotating motion around the front handle. The brake is designed to engage if the left hand contacts the front hand guard, which is the activation lever for the brake, and pushes it forward.
- **Inertia Activation:** All STIHL chain saws are equipped with an inertia Quickstop chain brake. If the kickback impulse is strong enough, this alone is sufficient to engage the brake even without contacting the front hand guard.

WARNING

- To reduce the risk of kickback injury:
 - Never use a saw if the chain brake does not function properly.
 - When in doubt, take the saw to an authorized STIHL servicing dealer for inspection and/or repair.
 - Do not use the saw until the problem has been corrected.
- In a kickback situation, the front hand guard helps protect your left hand from contacting the saw chain. Removal of the front hand guard on a chain saw equipped with a

Quickstop chain brake will reduce this protection and also disable the chain brake, increasing the risk of kickback injury.

- Never operate your chain saw without a properly functioning front hand guard.
 - Never attempt to remove, modify or disable the front hand guard or any other component of the chain brake.
- No Quickstop or other chain brake device prevents kickback. These devices are designed to reduce the risk of injury, if activated, in certain kickback situations. To reduce the risk of severe personal injury or death from kickback:
- Always follow the instructions in this manual and follow good working technique. For example, position your body clear of the cutting attachment whenever the motor is running. Stand to the left of the cut while bucking, outside of the cutting plane, see chapter "Holding and Controlling the Chain Saw",  6.5.2.
 - Maintain as much distance as possible, and never less than 45 degrees, between the bar and your body to ensure that the Quickstop has sufficient time to activate and stop the saw chain before reaching any part of your body.
 - Follow the other precautions provided in chapter  8.
- An improperly maintained chain brake may increase the time needed to stop the saw chain after activation, or may not activate at all. For the Quickstop to reduce the risk of kickback injury, it must be properly maintained and in good working order.
- Read and follow the instructions on engaging and disengaging the chain brake,  16, and maintaining and repairing it,  16.3.

2. Low Kickback Saw Chain and Reduced Kickback Bars

STIHL offers a variety of guide bars and saw chains. STIHL reduced kickback bars and low kickback saw chains are designed to reduce the risk of kickback injury. Other saw chains are designed to achieve higher cutting performance

or sharpening ease, but are more prone to kickback and may kick back with more energy, making it more difficult to control the chain saw.

STIHL has developed a color code system to help you identify the STIHL reduced kickback bars and low kickback saw chains.

- Cutting attachments with green labels on the packaging are designed to reduce the risk of kickback injury.
- Matching green-marked or labeled chain saws with green-labeled bars and green-labeled saw chains provides compliance with the computed kickback angle requirements of the chain saw standards when the products are in their original condition.
- Products with yellow labels are for users with extraordinary cutting needs, having experience and specialized training for dealing with kickback.

STIHL recommends the use of its green-labeled reduced kickback bars, green-labeled low kickback saw chains and a chain saw equipped with a STIHL Quickstop chain brake for both experienced and inexperienced chain saw users.

STIHL recommends green-labeled bars and chains for all chain saws. See your "STIHL Bar and Chain Information" leaflet for details.

New bar and chain combinations may be developed after publication of this literature, which will, in combination with certain electric chain saws, comply with the chain saw standards as well.

WARNING

- Use of bar and saw chain combinations not listed in the STIHL Bar and Chain Information leaflet (or other combinations that do not comply with the chain saw

standards) may increase kickback forces as well as the propensity for kickback and increase the risk of kickback injury.

- Please ask your authorized STIHL servicing dealer to properly match your chain saw with the appropriate bar and saw chain combination to reduce the risk of kickback injury.
- Reduced kickback bars and low kickback saw chains do not prevent kickback, but they are designed to reduce the risk of kickback injury.
 - STIHL recommends green-labeled bars and green-labeled saw chains for all chain saws and all users.
- Even if your saw is equipped with Quickstop, a reduced kickback bar and/or low kickback saw chain, this does not eliminate the risk of injury from kickback.
 - Observe all safety precautions discussed in this manual to avoid kickback situations.

a. Low Kickback Saw Chain


Some types of saw chain have specially designed components to reduce the propensity for kickback and the force of kickback if it occurs. STIHL has developed low kickback saw chain for your chain saw.

A "low kickback saw chain" is a saw chain that has met the kickback performance requirements of ANSI/OPEI B175.1 (for Canada: CSA Z62.3) when tested according to the provisions specified in ANSI/OPEI B175.1 (for Canada: CSA Z62.3).

WARNING

- Some low kickback saw chains have not been tested with all chain saw and bar combinations. There are potential chain saw and bar combinations with which low kickback saw chains can be used which have not been specifically certified to comply with the 45° computer-derived kickback angle of the chain saw standards.
 - STIHL recommends green-labeled bars and green-labeled saw chains for all chain saws and all users.
 - Please see your STIHL Bar and Chain Information leaflet for the appropriate bar/saw chain combination.


- Please ask your authorized STIHL servicing dealer to properly match your chain saw with the appropriate bar and saw chain combination to reduce the risk of kickback injury.

- A blunt or incorrectly sharpened saw chain may reduce or negate the effectiveness of design features intended to reduce the propensity for kickback and kickback energies. Improper lowering or sharpening of the depth gauges or changing the shape of the cutters may increase the risk and the energy of kickback.
 - Always cut with a properly sharpened chain.
 - Read and follow the instructions on sharpening a saw chain,  24.4.
- Any chain saw mounted with a bow guide is potentially very dangerous. The risk of kickback is increased with a bow guide because of the increased kickback contact area and because the design of bow guides places the upper portion of the bar closer to the operator's body. Low kickback saw chain will not significantly reduce the risk of kickback injury when used on a bow guide.
 - Never mount a bow guide on any STIHL chain saw.

b. Reduced Kickback Bars

STIHL green-labeled reduced kickback bars are designed to reduce the risk of kickback injury when used with STIHL green-labeled low kickback saw chains.

WARNING

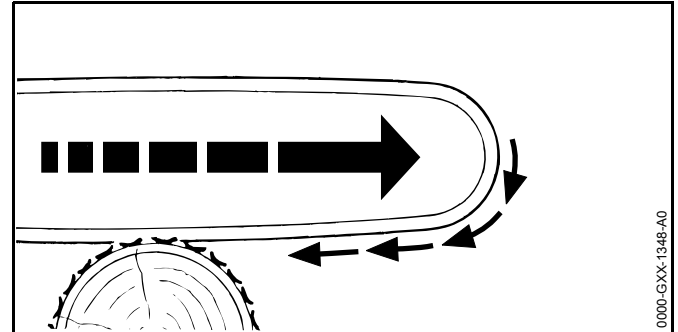
- When used with other, more aggressive saw chains, green-labeled reduced kickback bars may be less effective in reducing kickback.
 - STIHL recommends green-labeled bars and green-labeled saw chains for all chain saws and all users.
- For proper balance and in order to comply with the chain saw standards:
 - Use only bar lengths listed in this manual,  27.

7.2.4 To Avoid Kickback

The best protection from personal injury that may result from kickback is to avoid kickback situations:

- 1) Hold the chain saw firmly and with both hands and maintain a secure grip, with your right hand on the rear handle and left hand on the front handle. Maintain a secure grip with thumbs and fingers encircling the chain saw handles. Don't let go.
- 2) Make sure the area in which you are cutting is free from obstructions.
- 3) Be aware of the location of the guide bar nose at all times. Never let the nose of the guide bar unintentionally contact any object. Do not cut limbs with the nose of the guide bar. Be especially careful near wire fences and when cutting small, tough limbs, small size brush and saplings which may easily catch the saw chain.
- 4) Do not overreach.
- 5) Do not cut above shoulder height.
- 6) Begin cutting and continue at full speed.
- 7) Cut only one log at a time.
- 8) Use extreme caution when re-entering a previous cut.
- 9) Do not attempt to plunge cut if you are not experienced with this cutting technique.
- 10) Be alert for shifting of the log or other forces that may cause the cut to close and pinch the saw chain.
- 11) Maintain saw chain properly. Cut with a correctly sharpened, properly tensioned saw chain at all times.
- 12) Stand to the side of the cutting path of the chain saw.
- 13) Use only replacement bars and chains specified by STIHL, or the equivalent.

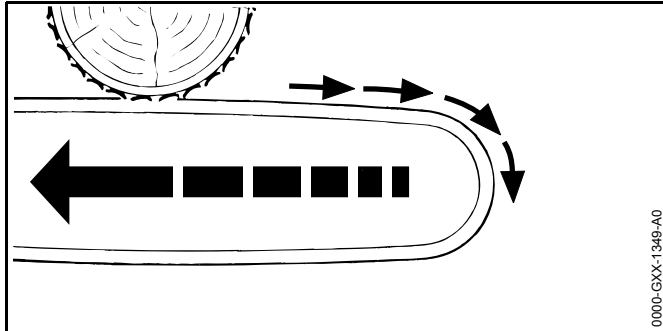
7.3 Pull-in



⚠ WARNING

- Pull-in occurs when the saw chain on the bottom of the bar is suddenly stopped or significantly slowed when it is pinched, caught or encounters a foreign object in the wood. The reaction of the saw chain pulls the chain saw forward and may cause the operator to lose control, which, in turn, may cause serious or fatal injury. If the tip contacts an object, kickback may occur.
- Pull-in usually occurs when the bumper spike of the chain saw is not held securely against the tree or limb and when the saw chain is not rotating at full speed before it contacts the wood.
- To reduce the risk of pull-in:
 - Cut with a sharp, properly tensioned chain.
 - Always start a cut with the saw chain rotating at full speed and with the bumper spike in contact with the wood.
 - Use wedges to open the kerf or cut, where possible.
 - Use extreme caution when cutting small-size brush and saplings which may easily catch the saw chain, spring towards you or pull you off balance.

7.4 Pushback



⚠ WARNING

- Pushback occurs when the saw chain on the top of the bar is suddenly stopped or significantly slowed when it is pinched, caught or encounters a foreign object in the wood. The reaction of the saw chain may drive the chain saw rapidly straight back toward the operator, causing loss of control which, in turn, may cause serious or fatal injury.
- Pushback usually occurs when the top of the bar is used for cutting.
- To reduce the risk of pushback:
 - Be alert to forces or situations that may cause material to pinch or bind the top of the saw chain.
 - Do not cut more than one log at a time.
 - Do not twist the chain saw when withdrawing the bar from an underbuck cut because the saw chain can pinch or bind.
 - Cut with a sharp, properly tensioned chain.

8 Proper Techniques for Basic Bucking, Limbing, Pruning and Felling

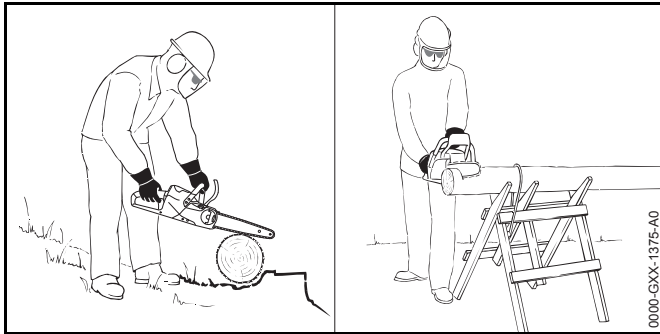
8.1 Intended Uses

⚠ WARNING

- This chain saw is not designed for felling large trees or cutting large diameter logs.
- For cutting larger trees, logs or branches, a larger, more powerful and faster saw may be necessary to reduce the risk of binding, stalling or a change in conditions during longer cutting times. Interruption of cutting speeds or a loss of power during a felling or limbing operation can result in an inability to control the fall of a tree or limb, and can lead to serious or fatal personal injury.
- Before starting any felling, limbing, bucking or pruning operation, fully charge your STIHL AK battery and ensure that all cuts necessary to fell the tree or sever the limb can be completed on a single charge.
 - Fully charge the STIHL AK battery before starting work.
 - Ensure that all necessary felling or limbing cuts can be completed using the existing charge before starting any limbing, bucking, pruning or felling cut.
 - If you have any doubt that the tree can be brought down or the limb severed on the remaining charge, use a more powerful chain saw or consult a tree removal professional before starting the work.
- Position the chain saw in such a way that your body is clear of the cutting attachment whenever the motor is running. Stand to the left of the cut while bucking, outside of the cutting plane.

8.2 Bucking

Bucking is cutting a log into sections.

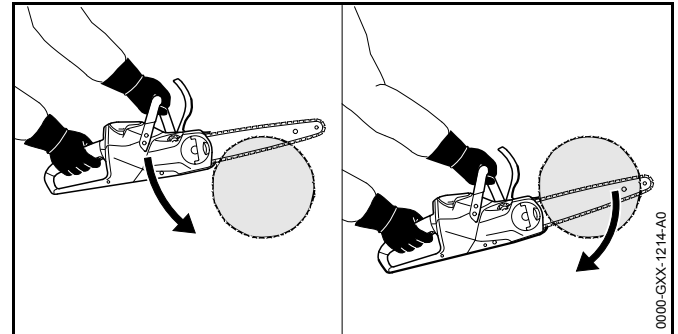


⚠ WARNING

- Be aware of rolling logs. Rolling logs can cause serious or fatal personal injury. To prevent a log from rolling while bucking:
 - Make sure the log is secure and will not roll downhill before starting your cut. If necessary, use sturdy wedges, shims or chocks.
 - If on a slope, always stand on the uphill side of the log.
 - Never stand on the log.
- To reduce the risk of kickback caused by contacting the nose of the guide bar with other logs or limbs:
 - Cut only one log at a time.
 - Do not cut logs in a pile.
- When cutting shattered wood, sharp splinters of wood may be caught and flung in the direction of the operator of the saw or bystanders.
 - Use caution when cutting shattered wood and always wear appropriate apparel and personal protective equipment, including eye protection.
 - Keep bystanders out of the work area.

- When cutting smaller logs, make sure the log is properly supported to reduce the risk of personal injury from loss of control of the chain saw or movement of the log. Small logs can move when contacted by the teeth of the saw chain:
 - Place logs through "V-shaped" supports on top of a sawhorse whenever possible.
 - Never permit another person to hold the log.
 - Never stabilize the log with your leg or foot.
- Failing to control the saw at the bottom of a bucking cut can cause severe personal injury or death.
 - Prepare the saw to exit the bottom of the cut by reducing the feed force you exert on the saw.
 - Cushion the weight of the chain saw so that the bar and chain are not thrust downward into your lower body and legs as the bar/chain exits the cut.

When bucking:




- ▶ Position the bumper spike of the saw against the log and use it as a fulcrum.
- ▶ Continually repositioning the bumper spike while pushing the guide bar completely through the log.

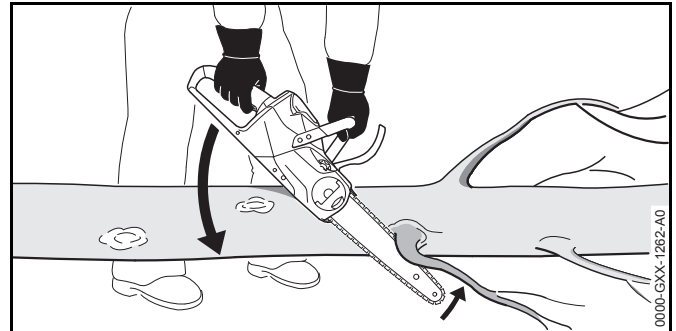
8.3 Limbing

Limbing is removing the branches from a fallen tree.

⚠ WARNING

- To prevent a log from rolling while limbing:
 - Start limbing by leaving the limbs on the lower, downhill side of the log to hold the log off the ground.
 - Stabilize the log with sturdy wedges, shims or chocks, if necessary.
 - Never stand on a log while limbing it.
- There is an increased danger of kickback during limbing operations, as limbs, leaves, stems and other material can entangle (bind) the cutters of the chain in the upper quadrant of the bar nose, causing the chain to slow or stop suddenly.
 - Do not use the nose of the bar to cut limbs.
 - Be extremely cautious and avoid contacting the log, the ground, other limbs and any leafy materials with the nose of the guide bar.
- When underbucking freely hanging limbs, a pinch may result or the limb may fall, hitting the operator or the chain saw and causing loss of control.
 - If a pinch occurs that traps or holds the bar or chain, switch off the motor, activate the chain brake and remove the battery from the saw before attempting to remove the saw from the cut, exercising caution that the limb does not suddenly snap or release.
- Limbs or logs under tension (spring poles) can spring back toward you with great force, striking you or causing you to lose control of the saw, resulting in severe or fatal injury.
 - Be extremely cautious when cutting limbs or logs that may be under tension.
 - Read and follow the warnings and instructions on cutting logs under tension,  8.5.

When limbing:



- ▶ Rest the chain saw on the log.
- ▶ Stand on the side of the log opposite the limb to be cut if it can be done safely.
- ▶ Push the guide bar at full throttle with a hinge motion against the branch.
- ▶ Cut the branch with the top or the bottom side of the guide bar, keeping the tip of the bar free of the log, the ground, other limbs and any leafy materials.

8.4 Pruning

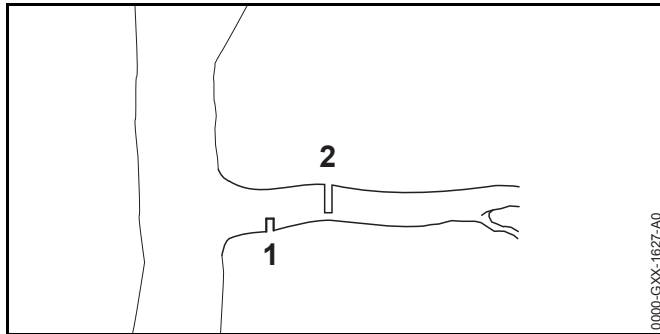
Pruning is selectively removing branches from a standing tree.

⚠ WARNING

- To reduce the risk of injury from loss of control:
 - Do not use the chain saw one-handed.
 - Never work on a ladder, on a roof, in a tree or while standing on any other insecure support.
 - Never operate the chain saw above shoulder height or cut overhead.
 - Do not overreach.

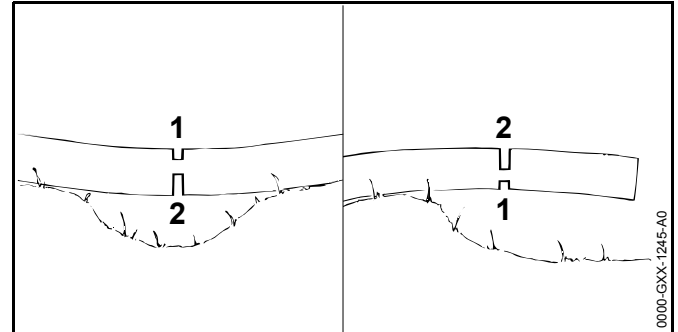
- To reduce the risk of injury:
 - Never stand directly underneath the branch you are cutting.
 - Watch for falling branches. As soon as the branch starts to fall, step aside and keep a sufficient distance away from the falling wood. A branch may spring back at you after it hits the ground.
 - Prior to beginning work, clear the work area of limbs and brush to reduce the risk of tripping and losing control of the chain saw.

To cut branches from a standing tree:



- ▶ Make the first cut (1) on the underside of the branch, approximately 2 in. (5 cm) from the trunk. Cut through approximately 1/4 of the diameter of the branch. This will help prevent the branch from splintering after it is cut.
- ▶ Make the second cut (2) on the top side of the branch, approximately 2 in. (5 cm) from the first cut.
- ▶ As soon as the branch starts to fall, withdraw the chain saw and let the branch fall to the ground.

8.5 Cutting Logs Under Tension



⚠ WARNING

- There is an increased danger of pinching the chain saw when bucking logs under tension. The tension in wood can also release suddenly and with great force, propelling the log, limb or chain saw into the saw operator, causing injury or loss of control. To reduce the risk of severe or fatal personal injury from reactive forces, including kickback, or loss of control when cutting wood under tension:
 - Always start with a relieving cut (1) at the compression side of the log, and then make a bucking cut (2) at the tension side.
 - If a pinch occurs that traps the bar/chain, switch off the motor, activate the chain brake, remove the battery and remove the saw from the log, exercising caution that the limb does not suddenly snap or release.
- Working in areas where logs, limbs and roots are tangled ("blow down" areas) is extremely dangerous.
 - Drag the logs, limbs and other material to be cut into a clear area before cutting. Pull out exposed and cleared logs first. Do not cut where the tip of the bar may come into contact with other logs, limbs or leafy material.

8.6 Felling

8.6.1 Felling Conditions

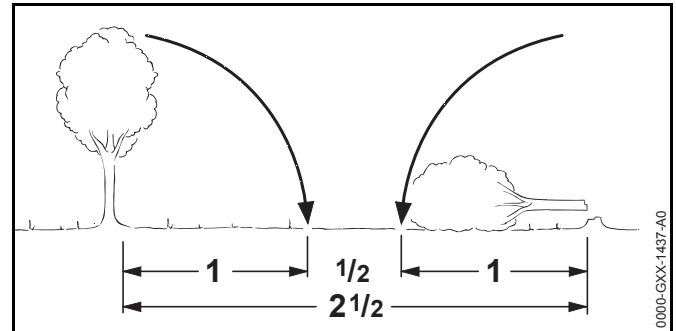
Felling is cutting down a tree. Before felling a tree, carefully consider all of the conditions that may affect the direction of fall.

⚠ WARNING

- This chain saw is not designed for felling large trees, and using it to cut large trees could result in an inability to control the fall of the tree or limb, and can lead to serious or fatal personal injury.
- There are a number of factors that may affect and change the intended direction of fall, e.g. wind direction and speed, lean of tree, surrounding trees and obstacles, sloping ground, one-sided limb or foliage structure, wood structure, decay, snow load, etc.
 - To reduce the risk of severe or fatal injury to yourself or others, look for, analyze and plan for these conditions prior to beginning the cut, and be alert for a change in direction while the tree is falling.
- Felling a tree that has a diameter greater than twice the effective cutting length of the guide bar requires use of either the sectioning felling cut or plunge-cut method. Neither of these cutting techniques is recommended for this model chain saw. These methods can be extremely dangerous because they involve the use of the nose of the guide bar and can result in kickback. Only properly trained professionals should attempt these techniques. If you are inexperienced with a chain saw, plunge-cutting should not be attempted. Seek the help of a qualified professional.
- Never attempt to cut a large diameter tree with a chain saw that lacks sufficient size, power or run-time to complete the task efficiently and without re-charging.

- There is an increased risk that trees that are split, decayed or rotted inside or that are leaning or otherwise under tension could snap or split while being cut, causing serious or fatal injury to the operator or bystanders.
 - Always observe and be aware of the general condition of the tree.
 - Inexperienced users should never attempt to cut such trees.
 - Also look for broken or dead branches which could vibrate loose and fall on the operator during the felling operation. Certain types of trees are more susceptible to this condition, such as Douglas firs. You should check with a reputable tree service if you have questions about the stability of the trees you will be cutting.
 - When felling on a slope, the operator should stand on the uphill side if possible.

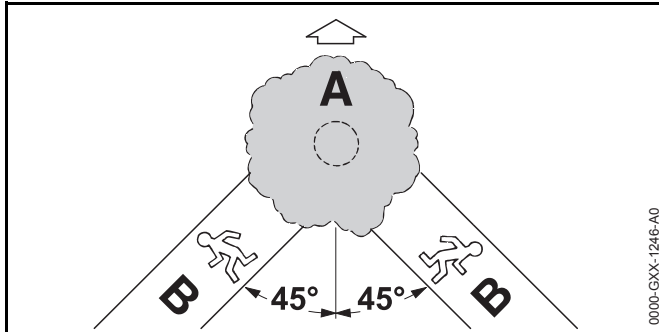
When felling:



- ▶ Maintain a distance of at least 2 1/2 tree lengths from the nearest person.
- ▶ Take extra precautions in the vicinity of roads, railways and power lines. Inform the police, utility company or railway authority before beginning to cut.

8.6.2 Escape Path

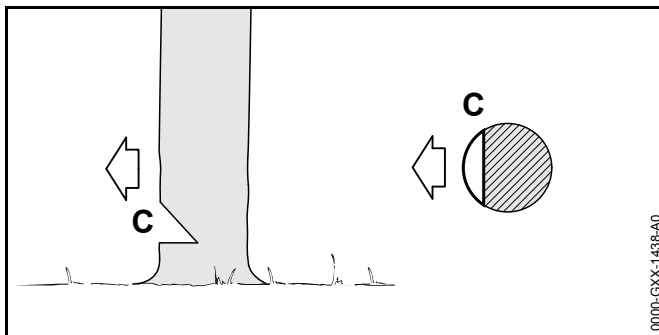
Before making your first cut, prepare an escape path:



- ▶ First clear limbs and brush from the area around the base of the tree. Remove vegetation from the lower portion of the tree with an axe.
- ▶ Next, establish at least two clear paths of escape (B) and remove any obstacles, such as brush, small trees and other vegetation. These paths should lead away from the planned direction of the tree's fall (A) at a 45° angle from the expected fall line. Place all tools and equipment a safe distance away from the tree, but not on the escape paths.

8.6.3 Conventional Notch

For a conventional notch:

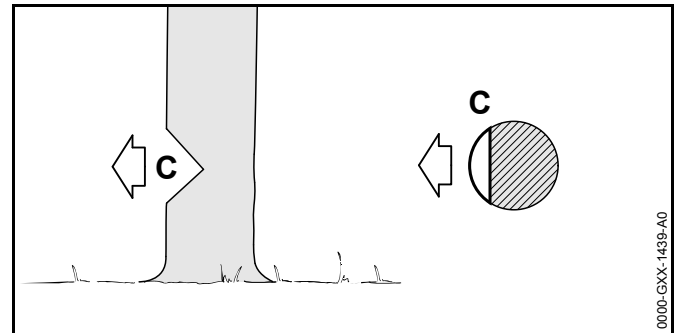


- ▶ The felling notch determines the direction of the tree's fall. Make the felling notch perpendicular to the line of fall you have determined, close to the ground.

- ▶ Be aware of conditions such as wind, limb and foliage structure, tree lean, the slope of the terrain and other factors that could alter the direction of fall.
- ▶ Cut down at a 45° angle to a depth of approximately 1/5 to 1/4 of the trunk diameter.
- ▶ Make a horizontal cut that meets the bottom of the first cut.
- ▶ Remove the resulting 45° piece. The size of the wedge will vary by tree size. The larger the tree, the larger the wedge. This model chain saw is not intended for felling large diameter trees.

8.6.4 Open-faced Notch

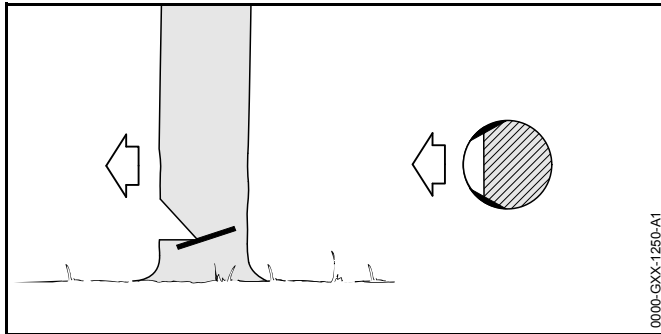
For an open-faced notch:



- ▶ The felling notch determines the direction of the tree's fall. Make the felling notch perpendicular to the line of fall you have determined, close to the ground.
- ▶ Be aware of conditions such as wind, limb and foliage structure, tree lean, slope of the terrain and other factors that could alter the direction of fall.
- ▶ Cut down at a 50° angle to a depth of approximately 1/5 to 1/4 of the trunk diameter.
- ▶ Make a second cut that meets the bottom of the first cut from below at a 40° angle.
- ▶ Remove the resulting 90° piece. The size of the wedge will vary by tree size. The larger the tree, the larger the wedge. This model chain saw is not intended for felling large diameter trees.

8.6.5 Sapwood Cuts

Sapwood cuts help prevent soft woods in summer from splintering when they fall:



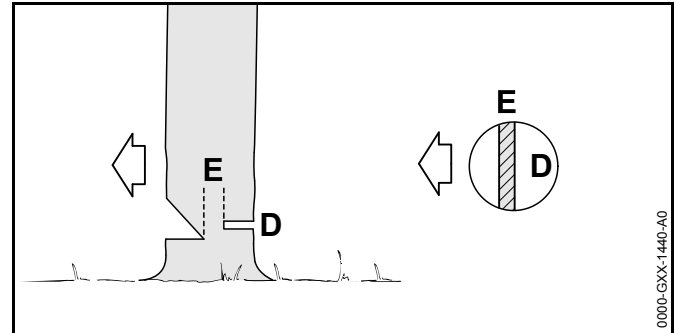
- ▶ Make cuts at both sides of the trunk, at the same height as the subsequent felling cut. Make sure the saw you are using has sufficient size, power and run time to complete the felling operation efficiently and without re-charging. This model chain saw is not intended for felling large diameter trees.
- ▶ Cut to no more than width of guide bar.

8.6.6 Felling Back Cut

▲ WARNING

- If the tip of the bar contacts a wedge that has been used to help keep the kerf or cut open, it may cause kickback. Wedges should be of wood or plastic and never steel, which can damage the chain.
- In order to reduce the risk of personal injury, never stand directly behind the tree when it is about to fall, since part of the trunk may split and come back towards the operator (barber-chairing), or the tree may jump backwards off the stump.
- Always keep to the side of the falling tree. When the tree starts to fall, withdraw the bar, release the trigger switch, engage the chain brake and walk away briskly on the pre-planned escape path.
- Watch out for limbs falling from the felled tree.

- Be extremely careful with partially fallen trees. When the tree hangs or for some other reason does not fall completely, set the saw aside and pull the tree to the ground with a cable winch, block and tackle or tractor. Trying to cut it down with your saw is extremely dangerous and may result in serious or fatal injury. Trees of this nature can fall suddenly and often are under tension.



The tree is brought down with the felling back cut (D).

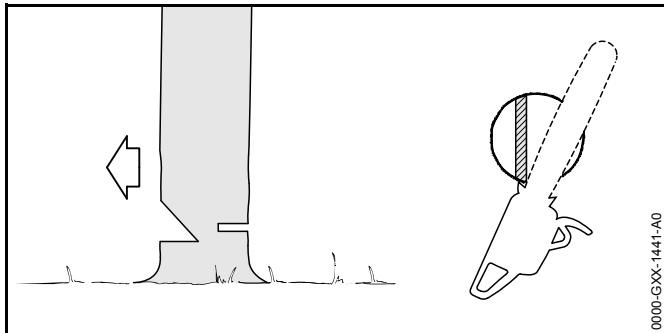
For both conventional and open-faced notches:

- ▶ Begin 1 to 2 in. (2.5 to 5 cm) higher than the bottom of the felling notch.
- ▶ Cut horizontally toward the felling notch.
- ▶ Leave approximately 1/10 of the diameter of the tree uncut. This is the hinge (E) that will help control the fall of the tree.
- ▶ Do not cut through the hinge because you could lose control of the direction of the fall.
- ▶ If necessary, wedges can be driven into the felling back cut to keep the cut open and to help control the direction of the fall. For example, if a tree tends to "sit back," causing a bind of the saw, wedges can be used to re-position it.

This model chain saw is not intended for felling large diameter trees.

8.6.7 Fan Cut

Use the simple fan cut for making the felling back cut on trees with a diameter less than the effective cutting length of the guide bar.



- ▶ After creating the felling notch, engage the bumper spikes of the chain saw directly behind the location of the intended hinge and 1 to 2 in. (2.5 to 5 cm) higher than the bottom of the felling notch. Pivot the saw around this point only as far as the back of the hinge. Do not cut through the hinge. The bumper spike should roll against the trunk until the back cut is complete.

9 Battery Safety

9.1 Warnings and Instructions

⚠ WARNING

- Use of unauthorized batteries can damage the chain saw and result in fire, explosion and personal injury and property damage.
 - Use only genuine STIHL AK series batteries.
- Use of STIHL AK series batteries for any purpose other than powering STIHL power tools could be extremely dangerous.
 - Use STIHL AK series batteries only to power compatible STIHL power tools.
- Use of unauthorized chargers can damage the battery and result in fire, explosion and personal injury and property damage.
 - Use only genuine STIHL AL series chargers to charge STIHL AK series batteries.
- The battery contains safety features and devices which, if damaged, may allow the battery to generate heat, rupture, leak, ignite or explode.



- Never heat the battery above 212 °F (100 °C).
- Never incinerate or place the battery on or near fires, stoves or other high-temperature locations.
- Never use or charge a malfunctioning, damaged, cracked, leaking or deformed battery.
- Never open, disassemble, crush, drop, subject to heavy impact or otherwise damage the battery.
- Never expose the battery to microwaves or high pressures.
- Never insert objects into the battery's cooling slots.

- High temperatures may cause the battery to generate heat, rupture, leak, ignite or explode, resulting in severe or fatal personal injury and property damage. Exposure to temperatures outside the recommended temperature range may also reduce battery life and performance.



- Use and store the battery only within an ambient temperature range of 14 °F to 122 °F (-10 °C to 50 °C).
- Never store the battery in direct sunlight or inside a vehicle in hot weather.

- To reduce the risk of personal injury and property damage in the event the battery emits smoke, an unusual smell or feels unusually hot while using, charging or storing:
 - Immediately discontinue using or charging the battery. Prepare to contact the authorities in the event of fire or explosion.
- To reduce the risk of a short circuit, which could lead to electric shock, fire and explosion:



- Keep the battery dry. Protect it from rain, water, liquids and damp conditions.
- Never immerse the battery in water or other liquids.
- Never bridge the battery terminals with wires or other metallic objects.
- Keep a battery that is not in use away from metal objects (e.g., paper clips, nails, coins, keys).
- Never transport or store the battery in a metal container.
- Store the battery indoors in a dry room.
- Never store the battery in damp or corrosive environments or in conditions that could lead to corrosion of its metal components.
- Never store the battery in the chain saw or charger.
- Protect the battery from exposure to corrosive agents such as garden chemicals and de-icing salts.
- Do not attempt to repair, open or disassemble the battery. There are no user-serviceable parts inside.

- Leaking battery fluid is potentially harmful and can cause skin and eye irritation, chemical burns and other serious personal injury.
 - Avoid contact with skin and eyes.
 - Use an inert absorbent such as sand on spilled liquids.
 - In the event of accidental contact, immediately rinse the contact area thoroughly with mild soap and water.
 - If fluid gets into your eye(s): Do not rub. Rinse water over the open eye(s) for at least 15 minutes and seek medical attention.
- A battery fire can be dangerous. To reduce the risk of severe personal injury and property damage in the event of fire:
 - Evacuate the area. Fire can spread rapidly. Stay clear of any vapors generated and maintain a safe distance.
 - Contact the fire department.
 - Although water can be used to put out a battery fire, use of a multi-purpose dry chemical fire extinguisher is preferable.
 - Consult the fire department regarding proper disposal of the burned battery.
- Dropping the battery could result in personal injury or property damage. To prevent the battery from falling during removal:
 - Place the chain saw on a level surface.
 - Use care when ejecting the battery.

10 Charger Safety

10.1 Warnings and Instructions

⚠ WARNING

- To reduce the risk of fire, electric shock and other personal injury or property damage:
 - Read and follow all cautionary markings on the charger, battery and chain saw and all instructions in this manual before using the charger.
 - Charge only genuine STIHL AK or STIHL AP series batteries. Other batteries may burst, catch fire or explode, resulting in personal injury and property damage.



- For indoor use only.
- Keep the charger dry. Protect it from rain, water, liquids and damp conditions. Never insert a wet battery or use a wet charger.
- Do not handle the charger, including power supply cord and plug, with wet hands.
- Never use a damaged charger.
- Never charge malfunctioning, damaged, cracked, leaking or deformed batteries.
- Never store a battery in the charger.
- Operate the charger only indoors, in dry rooms and within an ambient temperature range of 41 °F to 104 °F (5 °C to 40 °C).
- Keep the charger out of the reach of children.
- Always plug the charger into a properly installed wall outlet matching the voltage and electrical frequency stated on the charger.
- Never use power strips to operate multiple chargers or other devices from the same outlet or on the same circuit.

- Do not operate a charger that has received a sharp or heavy blow, has been dropped or is otherwise damaged in any way.
- Do not attempt to repair, open or disassemble the charger. There are no user-serviceable parts inside.

- To reduce the risk of electric shock or fire from a short circuit:
 - Make sure the battery and charger are completely dry before starting the charging process.
 - Never bridge the contacts of the charger with wires or other metallic objects.
 - Do not insert any objects into the charger's cooling slots.
- The charger heats up during the charging process. To reduce the risk of fire:
 - Do not operate on a combustible surface (e.g., paper, cardboard, textiles) or in a combustible environment.
 - Allow the charger to cool down normally. Do not cover it.
- Chargers can produce sparks which may ignite combustible gases, liquids, vapors, dusts or other combustible materials. To reduce the risk of fire and explosion:
 - Do not operate in a location where combustible gases, liquids, vapors, dusts or other combustible materials are present.
- Using a damaged power supply cord or plug may result in fire, electric shock and other personal injury or property damage. To reduce these risks:



- Check the charger's power supply cord and plug regularly for damage. If damaged, immediately disconnect the plug from the wall outlet.
- Replace the charger if the power supply cord becomes damaged. The power supply cord cannot be repaired or replaced.

- Unplug the power supply cord from the outlet when the charger is not in use.
- Never jerk the power supply cord to disconnect it from the wall outlet. To unplug, grasp the plug, not the power supply cord.
- Do not use the power supply cord for any other purpose, e.g., for carrying or hanging up the charger.
- Make sure the power supply cord is located or marked so that it will not be stepped on, tripped over, come in contact with sharp objects or moving parts, or otherwise be subjected to damage or stress.
- An extension cord should not be used unless absolutely necessary. Overloading an extension cord can result in overheating and fire. If an extension cord must be used:
 - Use only a properly wired 16 gauge (AWG 16) or heavier gauge extension cord.
 - Never connect more than one charger or other device to an extension cord.
 - Never use an extension cord with a wattage rating lower than the wattage on your charger's rating plate.
 - Never use an extension cord if the blades on its plug are different from the blades on the charger plug in number, size or shape.
 - Do not link (chain) extension cords.
- In case of fire, or if the charger or the battery it is charging emits smoke, an unusual smell, feels hot or appears abnormal in any other way:
 - Immediately disconnect the charger from the outlet and prepare to contact the authorities in the event of fire or explosion.

11 Maintenance, Repair and Storage


11.1 Warnings and Instructions


⚠ WARNING

- There are no user-authorized repairs for the battery, charger or chain saw. To reduce the risk of fire, electric shock or other personal injury and property damage:
 - Users may carry out only the cleaning and maintenance operations described in this manual. Users must not attempt any other cleaning, maintenance or repair.
 - Strictly follow the cleaning and maintenance instructions in the appropriate sections of this instruction manual.
 - STIHL recommends that all repair work be performed by authorized STIHL servicing dealers.

- Unintentional starting may result in personal injury or property damage. To reduce the risk of personal injury and property damage from unintentional starting:










- Engage the chain brake by moving the front hand guard forward to  and remove the battery before inspecting the chain saw or carrying out any cleaning, maintenance or repair work, before storing, and any other time it is not in use.
- The bar and chain are the only user-serviceable parts of the chain saw. Proper maintenance will help maintain cutting performance and reduce the risk of personal injury caused by chain derailment and reactive forces.
 - Wear gloves when handling the saw chain.
 - Keep the chain, guide bar and sprocket clean.
 - Replace the chain and guide bar when they become worn or damaged.
 - Keep the chain sharp and at proper tension.
 - Tighten all nuts, bolts and screws after each use.

- Like an automobile brake, a chain saw chain brake incurs wear each time it is engaged. In order for the chain brake on your STIHL chain saw to properly perform its function of reducing the risk of kickback and other injuries, it must be properly maintained. For the proper and effective operation of the chain brake:
 - Return the chain saw to your STIHL servicing dealer for periodic inspection and servicing of the brake system according to the following schedule: Heavy Usage – every three months; Moderate Usage – twice a year; Occasional Usage – annually.
 - Return the chain saw immediately for maintenance whenever the brake system cannot be thoroughly cleaned or there is a change in its operating characteristics.
- Use of parts that are not authorized or approved by STIHL may cause serious or fatal injury or property damage.
 - STIHL recommends that only identical authorized STIHL replacement parts be used for repair or maintenance.
- To reduce the risk of electric shock:
 - Unplug the charger from the wall outlet before inspecting or cleaning the charger.
 - Regularly check the charger and ensure that the insulation of the power cord and plug are in good condition and show no signs of aging (brittleness), wear or damage.
 - Replace the charger if the power supply cord becomes worn or damaged. The power supply cord cannot be repaired or replaced.
- To reduce the risk of short circuit and fire:
 - Keep the battery guides free of foreign matter. Clean as necessary with a dry cloth or soft, dry brush.
- Improper storage can result in unauthorized use, damage to the chain saw, battery and charger, and an increased risk of fire, electric shock and other personal injury or property damage.
 - Engage the chain brake by moving the front hand guard forward to  and remove the battery from the chain saw before storing.
 - Never store the chain saw and charger with the battery inserted.
 - Before storing, always unplug the charger from the wall outlet and remove the battery.
 - Store the chain saw, battery and charger indoors in a dry, secure place out of the reach of children and other unauthorized users.
 - Never store the battery in the chain saw, in the charger, in a metal container or in a container with metal objects (e.g., paper clips, nails, coins, keys).

12 Before Starting Work

12.1 Preparing the Chain Saw for Operation




Before starting work:

- ▶ Fully charge the battery,  13.2.
- ▶ Mount the guide bar and saw chain,  15.2.1.
- ▶ Tension the saw chain,  15.3.
- ▶ Fill the chain oil tank,  15.4.2.
- ▶ Check the chain brake,  19.1.
- ▶ Check the controls for proper function and condition, .
- ▶ Check the chain oil flow rate,  19.3.


13 Charging the Battery

13.1 Setting up the Charger

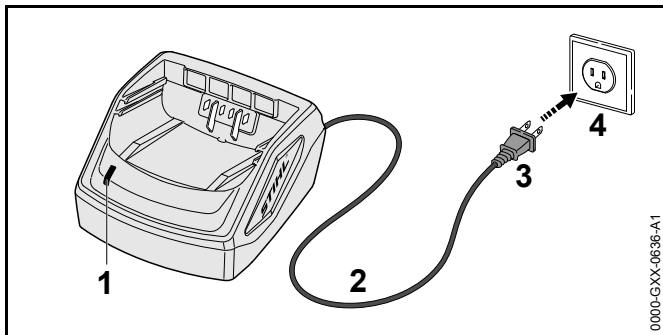
! WARNING

Read and follow the battery and charger safety precautions and instructions in this manual,  9 and  10. To reduce the risk of short circuit, which could lead to electric shock, fire and explosion, make sure the charger and its components are dry and not damaged; operate the charger indoors at an appropriate ambient temperature,  10.

! WARNING

Since the battery and charger heat up during the charging process, do not operate the charger on a combustible surface or in a location where combustible gases, liquids, vapors, dusts or other materials and substances are present,  10.

To set up the charger:




- ▶ Insert the plug (3) into a properly installed wall outlet (4) matching the voltage and electrical frequency stated on the charger's rating plate on the back of the charger. The charger runs a self-test immediately after it is plugged in. The charger LED (1) will glow green for about 1 second, then it will glow red briefly before going out. Once the self-test is complete, the charger is ready to charge the battery.

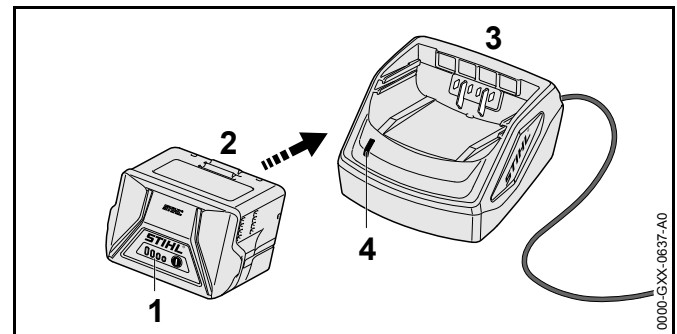
- ▶ Position the power supply cord (2) so that it will not be stepped on, tripped over, come in contact with sharp objects or moving parts or otherwise present a tripping hazard or be subjected to damage or stress.

13.2 Charging

! WARNING

STIHL batteries contain safety features and devices which, if damaged, may allow the battery to generate heat, rupture, leak, ignite or explode. Never charge a malfunctioning, damaged, cracked, leaking or deformed battery. For indoor use only. Keep the charger dry. Protect it from rain, water, liquids and damp conditions. Never insert a wet battery or use a wet charger,  10.

To charge the battery:



- ▶ Push the battery (2) into the charger (3) until it stops. The LED on the charger (4) glows green when the battery is being charged.

The LEDs (1) on the battery glow green and show the state of charge.

When the LEDs on the battery turn off, the charging process is complete and the charger will shut itself off.

- ▶ Remove the battery from the charger and disconnect the power supply cord from the wall outlet when charging is complete.

A new battery is not fully charged. STIHL recommends that you fully charge the battery before using it for the first time.

Operate the charger only indoors, in dry rooms and within an ambient temperature range of 41 °F to 104 °F (5 °C to 40 °C).

The battery heats up during operation of the chain saw. If a hot battery is inserted into the charger, it may be necessary for it to cool down before charging. The charging process begins only after the battery has cooled down sufficiently.

Charging time depends on a number of factors, including battery condition and the ambient temperature. For a complete list of approximate charging times, see www.stihl.com/charging-times.

14 LED Diagnostics

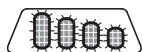
14.1 LEDs on the Battery

14.1.1 Battery Status

Four LEDs show the status of the battery. These LEDs can glow or flash green or red.



If one LED glows red continuously: the battery is either too hot or too cold. Allow the battery to warm up or cool down gradually at an ambient temperature of about 50 °F to 68 °F (10 °C to 20 °C).



If all 4 LEDs flash red: the battery has a malfunction and must be replaced. Do not attempt to charge, use or store the battery.



14.1.2 Chain Saw Status

When the battery is inserted in the chain saw, the same LEDs on the battery will indicate the status of the chain saw.

If three LEDs glow red continuously: the chain saw motor is too hot. Allow the motor to cool down.

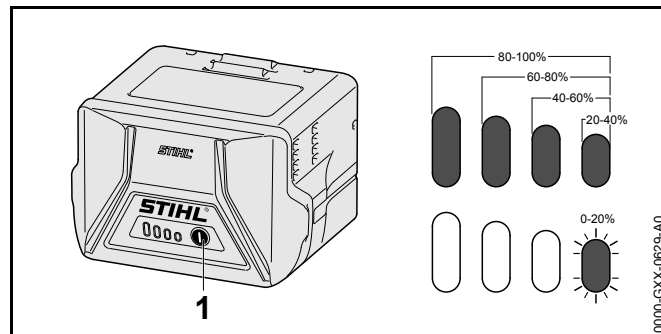
If three LEDs flash red when you activate the trigger switch: the chain saw has an electrical malfunction. Do not operate the chain saw. Have it checked by an authorized STIHL servicing dealer before use or storage.

For troubleshooting information, 25.

14.1.3 Charge Status

The LEDs on the battery also show the battery's state of charge.

To determine the battery's state of charge:



- ▶ Press the button (1) on the battery. The LEDs on the battery will glow or flash green for about 5 seconds and indicate the state of charge (see illustration).

For example:

If four green LEDs glow continuously: full charge.

If one green LED is flashing: less than 20 % charge.

14.2 LED on the Charger

One LED shows the status of the charger. The LED can glow green or flash red.



If the LED glows green continuously: the battery is being charged.

or

The battery is too hot or too cold for charging. To determine, check the LEDs on the battery. If there is one glowing red light, allow the battery to warm up or cool down gradually at an ambient temperature of about 50 °F to 68 °F (10 °C to 20 °C).



If the LED flashes red: there is no electric contact between the battery and the charger. Remove and reinsert the battery.

or

The battery has a malfunction and must be replaced. Check the LEDs on the battery. Do not use or charge a battery if its LEDs indicate a malfunction.

or

The charger has a malfunction. Have it checked by an authorized STIHL servicing dealer before use.

For more information, 25.

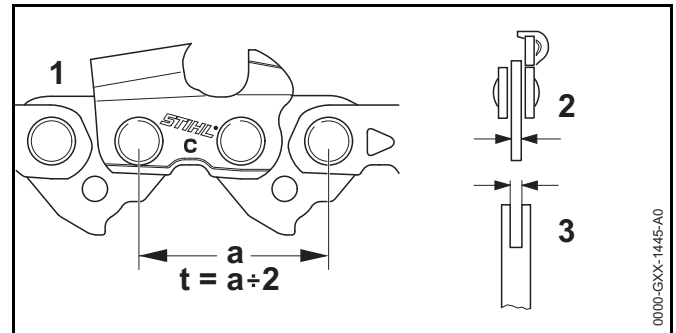
15 Assembling the Chain Saw

15.1 The Cutting Attachment

WARNING

If non-matching components are used, the cutting attachment will be damaged beyond repair after a short period of operation, and the chain could de-rail, resulting in serious or fatal personal injury.

A cutting attachment consists of the saw chain, guide bar and chain sprocket. The cutting attachment that comes standard with this model chain saw is designed to match the chain saw.



- The pitch (t) of the saw chain (1), chain sprocket and, if applicable, the nose sprocket of the Rollomatic guide bar must match.
- The drive link gauge (2) of the saw chain must match the groove width of the guide bar (3).

15.2 Mounting and Removing the Guide Bar and Saw Chain

15.2.1 Mounting the Guide Bar and the Saw Chain

WARNING

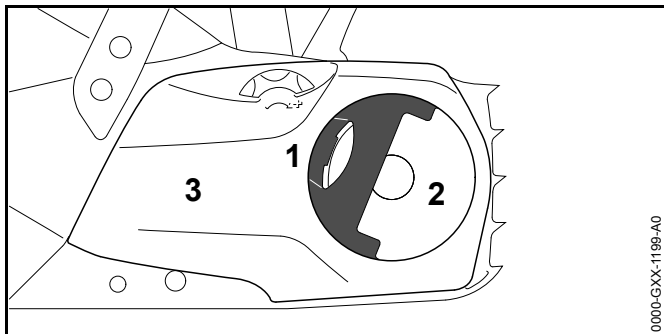
Make sure the battery is removed and the chain brake is engaged before starting assembly. Never operate your chain saw without a properly mounted guide bar and saw chain, 6.5. Use only guide bar and saw chain combinations expressly recommended or approved by STIHL, 6.4.

WARNING

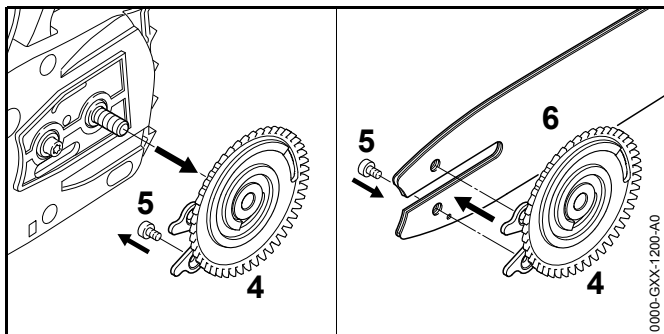
The saw chain has many sharp cutters. If they contact your flesh, they will cut you, even if the saw chain is not moving, 6.4. Always wear heavy-duty work gloves when mounting or otherwise handling the saw chain, 6.3.

To mount the guide bar and saw chain:

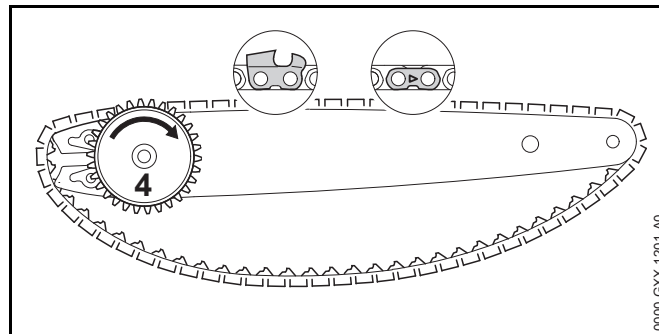
- ▶ Switch off the chain saw, 18.1.
- ▶ Engage the chain brake, 16.1.
- ▶ Remove the battery, 17.2.



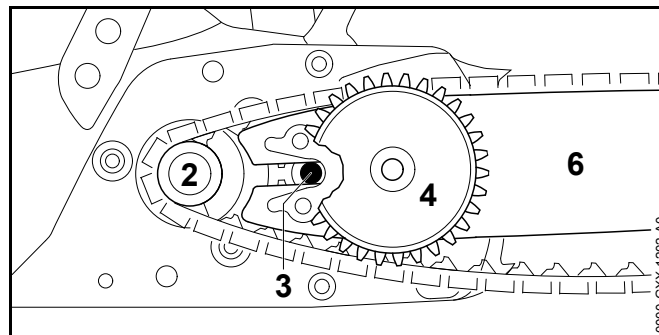
- ▶ Raise the handle (1) of the wingnut (2).
- ▶ Turn the wingnut counterclockwise until the chain sprocket cover (3) can be removed.
- ▶ Remove the chain sprocket cover.



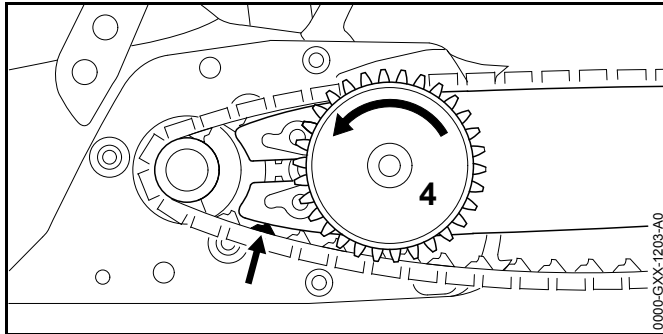
- ▶ Remove the tensioning gear (4).
- ▶ Remove the screw (5).
- ▶ Position the guide bar (6) on the tensioning gear so that the pins of the tensioning gear fit in the holes of the guide bar.
- ▶ Insert the screw and tighten it.



- ▶ Position the saw chain in the groove of the guide bar, starting at the tip.
- ▶ Make sure that the cutters in the groove on the top side of the guide bar face the tip of the bar. STIHL saw chains are manufactured with arrows on the tie straps to help the operator determine the proper direction of the chain. Arrows on the tie straps on the top of the bar must point toward the bar tip.
- ▶ Turn the tensioning gear clockwise until it stops.



- ▶ Point the guide bar tip away from the chain sprocket (2), with the teeth of the tensioning gear (4) facing away from the motor.
- ▶ Place the saw chain around the chain sprocket.
- ▶ Slide the guide bar over the collar screw (3). The head of the collar screw must protrude into the oblong hole.



- ▶ Disengage the chain brake, 16.2.
- ▶ Direct the drive links into the groove of the guide bar (arrow) while turning the tensioning gear (4) counterclockwise until it stops.
The guide bar and saw chain must be firmly and securely mounted on the chain saw.
- ▶ Fit the sprocket cover on the chain saw so that it is flush with the housing.
- ▶ When fitting the chain sprocket cover, the teeth of the adjusting wheel and the tensioning gear must mesh.
- ▶ If necessary, turn the adjusting wheel slightly until the chain sprocket cover sits flush against the housing.
- ▶ Turn the wingnut clockwise until the chain sprocket cover is firmly attached to the chain saw.
- ▶ Close the handle of the wingnut.

15.2.2 Removing the Guide Bar and Saw Chain

- ▶ Raise the handle of the wingnut to open and then turn the wingnut counterclockwise until the chain sprocket cover can be removed.
- ▶ Remove the chain sprocket cover.
- ▶ Turn the tensioning gear counterclockwise until it stops and the saw chain is loose.
- ▶ Remove the guide bar, including the tensioning gear and saw chain.

NOTICE

The top and bottom of the guide bar are symmetrical, and the bar may be mounted with the printing facing up or down. Flipping the guide bar each time the chain is sharpened or changed will help reduce uneven wear and improve its service life.

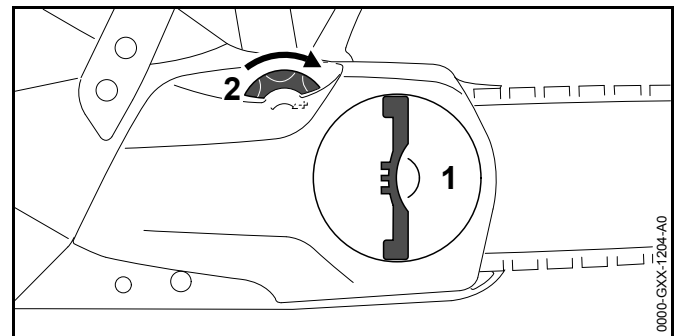
15.3 Tensioning the Saw Chain

WARNING

To reduce the risk of severe personal injury from chain derailment, check chain tension frequently, 6.5. At operating temperatures, the chain stretches and sags. New saw chain tends to stretch more than used chain. Tension the saw chain so that the drive links cannot come out of the groove on the underside of the guide bar.

To properly tension the saw chain:

- ▶ Switch off the chain saw, 18.2.
- ▶ Engage the chain brake, 16.1.
- ▶ Remove the battery, 17.2.
- ▶ Raise the handle of the wingnut (1).
- ▶ Turn the wingnut counterclockwise twice or until the saw chain is loose.
- ▶ Disengage the chain brake, 16.2.



- ▶ Turn the adjusting wheel (2) clockwise to tighten the chain.
A properly adjusted chain will sit closely against the underside of the guide bar but can still be pulled easily along the bar by hand. Always wear gloves when handling the chain.
- ▶ If the chain cannot be moved along the guide bar, it is too tight.
 - Reduce the tension by turning the adjusting wheel counterclockwise until the saw chain can move freely along the guide bar.
 - Ensure that the drive links remain in the groove and that the chain fits snugly against the underside of the guide bar.
- ▶ Once the chain is properly tensioned, tighten the wingnut by hand to secure the chain sprocket cover.

NOTICE

Always release tension on the chain after finishing work. The chain contracts as it cools down. If it is not slackened, it can damage the drive shaft and bearings. Properly re-tension the chain before using the saw again.

15.4 Lubricating the Saw Chain and Guide Bar**15.4.1 Bar and Chain Lubricant**** WARNING**

Never operate your saw without bar and chain lubrication. If the chain runs dry, the cutting attachment will be damaged beyond repair within a very short time. A damaged chain may break, resulting in severe or fatal personal injury. Always check chain lubrication and the oil level in the tank before starting work and periodically during work.

 WARNING

Never use waste oil to lubricate your STIHL saw chain and guide bar. Repeated contact with waste oil can cause skin cancer. Moreover, waste oil is environmentally harmful.

Bar and chain oil lubricates and cools the rotating saw chain. The service life of the chain and guide bar depends on the quality of the lubricant. It is therefore essential to use only a specially formulated chain lubricant.

- ▶ For automatic and reliable lubrication of the chain and guide bar, use only an environmentally compatible quality chain and bar lubricant. STIHL recommends using rapidly biodegradable STIHL BioPlus.

NOTICE




Biodegradable chain oil must be resistant to aging, since it will otherwise quickly turn to resin. This results in hard deposits that are difficult to remove, especially in the area of the chain drive and chain. It may even cause the oil pump to seize.

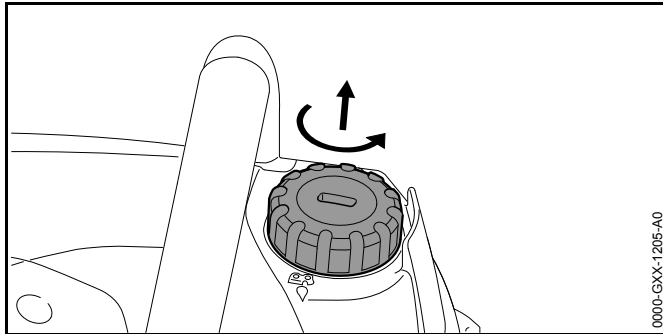
NOTICE

Waste oil does not have the necessary lubricating properties and is unsuitable for chain lubrication.

15.4.2 Filling the Chain Oil Tank

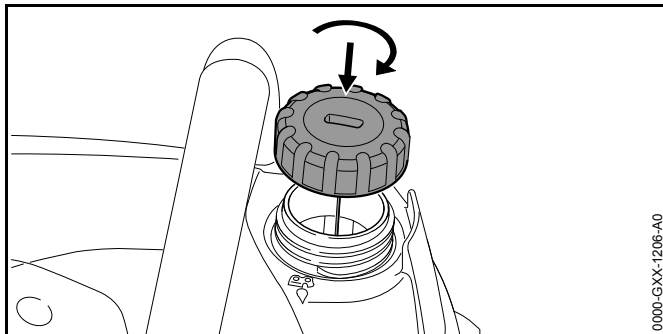
To fill the chain oil tank:

- ▶ Switch off the chain saw,  18.2.
- ▶ Engage the chain brake,  16.1.
- ▶ Remove the battery,  17.2.
- ▶ Position the chain saw on a level surface with the oil filler cap facing upwards.
- ▶ Clean the area around the oil filler cap with a slightly dampened cloth.



0000-GXX-1205-A0

- ▶ Turn the oil filler cap counterclockwise until it can be removed.
- ▶ Remove the oil filler cap and fill the tank with chain oil.
- ▶ Take care not to spill chain oil while refilling the tank.
- ▶ Do not overfill the tank. Leave approximately 0.5 in. (13 mm) of air space.



0000-GXX-1206-A0

To close the tank:

- ▶ Position the oil filler cap on the oil tank filler neck and press it down while turning it clockwise until it is tight.

16 The Chain Brake

16.1 Engaging the Chain Brake

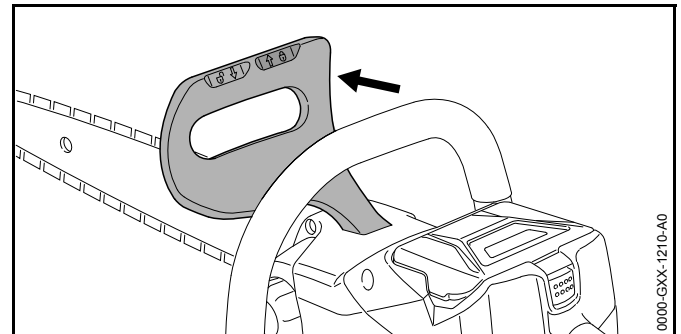
⚠ WARNING

The chain brake will operate only if it has been properly maintained and the front hand guard has not been modified, 7.2.1.

⚠ WARNING

No chain brake device prevents kickback. This device is designed to reduce the risk of kickback injury, if activated, in certain kickback situations. For the chain brake to reduce the risk of kickback injury, it must be properly maintained and in good working order, 7.2.1.

Engaging the chain brake locks the chain. To manually engage the chain brake:



0000-GXX-1210-A0


- ▶ Push the front hand guard to the position, away from the front handle.
You will hear an audible click when the front hand guard reaches the locked position.

In the event of a kickback, the brake is designed to engage if the left hand contacts the front hand guard and pushes it forward.

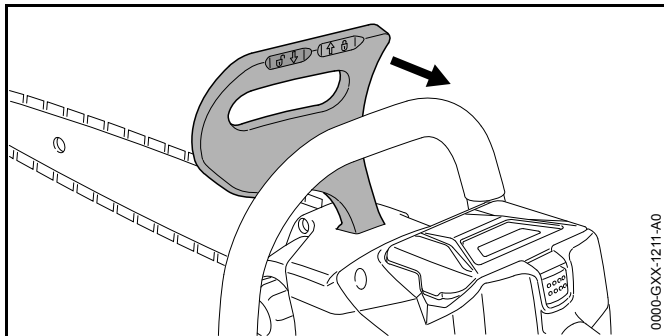
The chain brake is also designed to be activated by the inertia of the front hand guard if the forces are sufficiently high. When the brake is activated by inertia, the hand guard accelerates toward the bar nose, even if your hand is not behind the hand guard, e.g., during a felling back cut.


16.2 Disengaging the Chain Brake

⚠ WARNING

Before disengaging the chain brake and switching on your chain saw, be sure that the guide bar and saw chain are clear of you and all other obstructions and objects, including the ground,  6.5.

Disengaging the chain brake unlocks the chain. To disengage the chain brake:




- ▶ Pull the front hand guard to the  position, toward the front handle.

You will hear an audible click when the front hand guard reaches the unlocked position. In this position, the chain brake is disengaged and the saw can be switched on.

16.3 Maintaining the Chain Brake

⚠ WARNING

An improperly maintained chain brake may increase the time needed to stop the saw chain after activation, or it may not activate or stop the chain at all,  7.2. The chain brake is subject to wear, depending on the amount of usage,



conditions under which the saw is used and other factors. Excessive wear will reduce the effectiveness of the chain brake and can render it inoperable.

- ▶ Your chain saw should be returned to your authorized STIHL servicing dealer for periodic inspection and servicing of the brake system according to the following schedule:
 - Heavy Usage: every 3 months
 - Part-Time Usage: every 6 months
 - Occasional Usage: every 12 months


17 Inserting and Removing the Battery

17.1 Inserting the Battery

⚠ WARNING

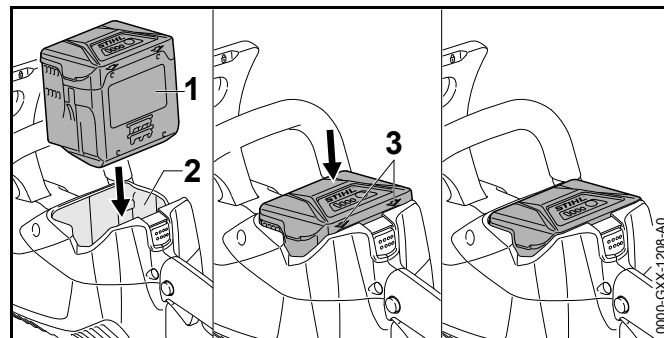
Never use a malfunctioning, damaged, cracked, leaking or deformed battery,  9. Use and store the battery only within an ambient temperature range of 14 °F to 122 °F (- 10 °C to 50 °C),  9.

⚠ WARNING


To reduce the risk of unintended activation, never store the battery in the chain saw,  22.2.

To insert the battery:

- ▶ Engage the chain brake,  16.1.



- ▶ Place the chain saw on a level surface.
- ▶ Insert the battery (1) into the battery compartment (2) until you hear an audible click.
In this position, the arrows (3) on the battery are still visible and the battery is locked in the battery compartment. There is no electrical contact between the battery and the chain saw, however.
- ▶ To supply power to the chain saw, push the battery into the battery compartment until it stops.
The battery is properly inserted when you hear a second audible click and the battery is flush with the top of the housing. In this position, there is electrical contact between the battery and the chain saw.

Since a new battery is not fully charged, STIHL recommends that you fully charge the battery before using it the first time,  13.

17.2 Removing the Battery

WARNING

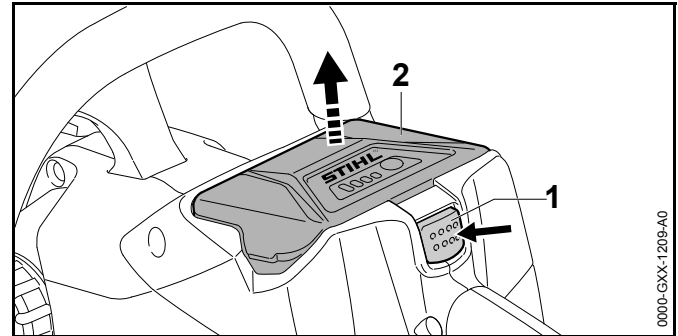
To reduce the risk of severe personal injury from unintended activation, always remove the battery before assembling, transporting, adjusting, cleaning, servicing, maintaining or storing the chain saw and any other time it is not in use.

WARNING

Use care when ejecting the battery to prevent it from falling and causing personal injury or property damage.

To remove the battery:

- ▶ Release the trigger switch.
- ▶ Place the chain saw on a level surface.



- ▶ Press down on the locking lever (1) to eject the battery (2) from the battery compartment.



NOTICE

Avoid exposing the battery to excessive heat or prolonged periods of direct sunlight. Use or storage outside the recommended ambient temperature range can reduce the performance and/or service life of the battery.

18 Switching the Chain Saw On and Off

18.1 Switching On

WARNING


Never operate your chain saw if it is modified, damaged, improperly adjusted or maintained, not completely and securely assembled or not functioning properly,  6.4. To reduce the risk of personal injury, always wear proper clothing and protective apparel, including proper eye protection, when operating your chain saw,  6.3.

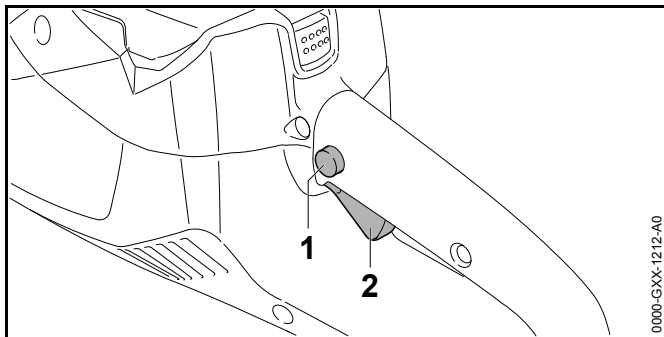
When switching the chain saw on:

- ▶ Make sure you have a secure and firm footing.
- ▶ Stand upright.


- ▶ Always hold and operate the chain saw with your right hand firmly on the rear or control handle and your left hand firmly on the front handle. Always hold the chain saw with two hands in this manner, whether you are right-handed or left-handed.

To switch the chain saw on:

- ▶ Disengage the chain brake,  16.2.



- ▶ Depress and hold the trigger switch lockout (1) with your thumb.
- ▶ While holding the trigger switch lockout, squeeze the trigger switch (2) with your index finger. The saw chain will start rotating.

The motor will not switch on unless the hand guard is set to the  position and the trigger switch lockout and trigger switch are pressed at the same time. Once the trigger switch is activated and the saw is running, the operator need not continue to hold down the trigger switch lockout.

18.2 Switching Off

WARNING

The saw chain continues to rotate for a short while after the trigger switch is released. To avoid serious or fatal injury, avoid contact with the moving saw chain. To reduce the risk of personal injury from unintended activation or unauthorized use, switch off the motor, ensure the chain has stopped, engage the chain brake and remove the battery before transporting or putting the chain saw down.

To switch the chain saw off:

- ▶ Release the trigger switch so that it springs back to the locked position. In the locked position, activation of the trigger switch is once again blocked by the trigger switch lockout. The saw chain will continue to rotate for a short while after the trigger switch is released.



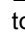
19 Checking the Chain Saw

19.1 Checking the Operation of the Chain Brake

WARNING

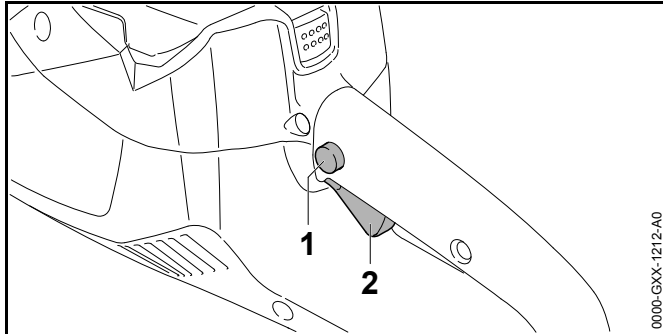
Operating the saw with a missing, damaged, modified or improperly maintained chain brake increases the risk of severe or fatal injury from kickback. Never attempt to modify or disable the chain brake. Never operate a chain saw if the chain brake has been modified or does not function properly. If you detect a change in the operating characteristics of the chain brake, have your saw serviced immediately by an authorized STIHL servicing dealer.

Before starting work, check the operation of the chain brake:

- ▶ Disengage the chain brake,  16.2.
- ▶ Switch on the chain saw,  18.1.
- ▶ Engage the chain brake by pushing the front hand guard to the  position, away from the front handle. A properly functioning chain brake will stop the chain within fractions of a second.
- ▶ If the chain brake fails to stop the chain within fractions of a second, have the saw inspected and repaired by an authorized STIHL servicing dealer.

19.2 Testing the Controls

Before starting work, confirm that the trigger switch lockout (1) and the trigger switch (2) are undamaged and functioning properly.



Trigger Switch Lockout (1) and Trigger Switch (2)

⚠ WARNING

To reduce the risk of serious or fatal injuries, keep hands, feet and other parts of the body away from the saw chain. Do not touch the saw chain while the battery is inserted. Never touch moving saw chain with your hand or any part of your body, 6.5.2. Keep bystanders out of the area while testing the controls.

To test the controls:

- ▶ Remove the battery.
- ▶ Attempt to depress the trigger switch.
If the trigger switch can be depressed without first depressing the trigger switch lockout, take the chain saw to an authorized STIHL servicing dealer to be repaired before use.

- ▶ Insert the battery and hold the chain saw firmly with both hands, your left hand on the front handle and your right hand on the rear handle. Release the chain brake and switch on the chain saw by depressing the trigger switch lockout and trigger switch.
If the chain does not start rotating, engage the chain brake and remove the battery. Take the chain saw to an authorized STIHL servicing dealer to be repaired before use.
- ▶ Insert the battery and hold the chain saw firmly with both hands, your left hand on the front handle and your right hand on the rear handle. Release the chain brake and switch on the chain saw by depressing the trigger switch lockout and trigger switch. Then release the trigger switch.
If the saw chain does not stop rotating after you release the trigger switch, engage the chain brake and remove the battery. Take the chain saw to an authorized STIHL servicing dealer to be repaired before use.

19.3 Testing Saw Chain Lubrication

⚠ WARNING

Never operate your saw without bar and chain lubrication. If the chain runs dry, the cutting attachment will be damaged beyond repair within a very short time. A damaged chain may break, resulting in severe or fatal personal injury. Always check chain lubrication and the oil level in the tank before starting work and periodically during work.

To confirm that the chain lubrication oil is flowing properly:

- ▶ Insert the battery, 17.1.
- ▶ Disengage the chain brake, 16.2.
- ▶ Point the guide bar toward a bright surface.
- ▶ Switch on the chain saw, 18.1.
The saw chain should throw off a small amount of oil.

If the chain lubrication oil cannot be seen, check the oil tank for chain lubrication oil.

Refill the tank as necessary.

- ▶ Test the saw chain lubrication again.

- ▶ If saw chain lubrication oil is still not visible, the chain lubrication mechanism is not functioning. Take the saw to an authorized STIHL servicing dealer to be repaired before use.




20 After Finishing Work

20.1 Preparing for Transportation or Storage

! WARNING

To reduce the risk of personal injury from unintended activation or unauthorized use, switch off the chain saw, engage the chain brake and remove the battery before transporting the chain saw or putting it down. To reduce the risk of injuries from the sharp cutters on the saw chain, always cover the guide bar with the chain scabbard before transporting or storing the saw.

To prepare the chain saw for transportation or storage:

- ▶ Switch off the chain saw,  18.2.
- ▶ Engage the chain brake,  16.1.
- ▶ Remove the battery,  17.2.
- ▶ Release the chain brake and loosen the chain.
- ▶ Re-engage the chain brake.
- ▶ Slide a chain scabbard over the guide bar so that it covers the entire guide bar.
- ▶ If the battery or chain saw became wet during operation, allow them to dry separately and completely before charging or storing.
- ▶ Re-tension the saw chain before using the chain saw.

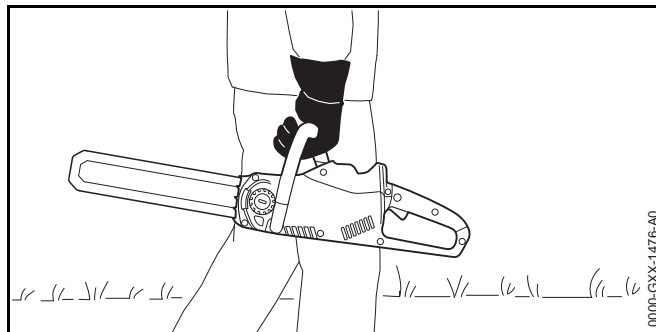
NOTICE

Failing to loosen the saw chain after finishing work can damage the drive shaft and bearings as the saw chain contracts as it cools down.

21 Transporting the Chain Saw and Battery

21.1 Chain Saw

When transporting the chain saw:




- ▶ Slide a chain scabbard over the guide bar so that it covers the entire guide bar.
- ▶ When transporting the saw by hand, hold it by the front handle with the guide bar pointing backwards, opposite the direction in which you are walking.
- ▶ When transporting the saw in a vehicle, cover the guide bar with a chain scabbard. Secure and position the chain saw to prevent turnover, impact and damage.

Your saw comes standard with a chain scabbard that matches the cutting attachment. If you use guide bars of different lengths on the saw, the length of the chain scabbard must be matched to the guide bar to reduce the risk of injury. It should cover the full length of the guide bar.

21.2 Battery

! WARNING

To reduce the risk of a short circuit, which could lead to electric shock, fire and explosion, never transport the battery in a metal container or near metal objects (e.g., paper clips, nails, coins, keys),  9.

When transporting the battery:

- ▶ Place the battery in a non-metal container or carton and secure it against impact or damage. Never transport the battery in a metal or other container that is capable of conducting electricity, or near metal objects (e.g., paper clips, nails, coins, keys).
- ▶ If you are transporting the battery in a vehicle, secure it and its container to prevent turnover, impact and damage.

STIHL batteries comply with the requirements set forth in UN-Manual ST/SG/AC.10/11/Rev.5/Part III, Subsection 38.3.

Commercial air, vessel and ground transportation of lithium ion cells and batteries is regulated. The battery is classified as a UN 3480, Class 9, packaging group II product. Shipping it, either as a complete tool or the battery, requires compliance with all applicable shipping regulations. Check with the ground, vessel, air cargo or passenger airline to determine if transport is prohibited or subject to restrictions or exemptions prior to shipping or travel.


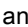
Normally, no further conditions have to be met by the user in order to transport STIHL batteries by road to the power tool's operating site. Check and comply with any special regulations that may apply to your situation.

For further information please go to www.stihlusa.com/battery-transportation-safety (for Canada: www.stihl.ca).



22 Storing the Chain Saw, Battery and Charger

22.1 Chain Saw

WARNING



Store the chain saw indoors in a dry, secure place that is inaccessible to children and other unauthorized users,  6.4. Never store the battery in the chain saw or charger. Improper storage can result in unauthorized use and damage to the chain saw that can lead to fire and explosion, and otherwise increase the risk of severe personal injury and property damage,  6.4.

When storing the chain saw for three months or longer:



- ▶ Remove any wood chips or debris from the battery compartment.
- ▶ Remove the saw chain and guide bar.
- ▶ Clean and spray the guide bar with protective oil.
- ▶ Clean the chain saw,  23.1.
- ▶ Fill up the chain oil tank,  15.4.2.
- ▶ Store the chain saw indoors in a dry and secure location, out of the reach of children and other unauthorized persons.

22.2 Battery

WARNING

To reduce the risk of a short circuit, which could lead to electric shock, fire and explosion, never store the battery in a metal container or near metal objects,  9. If the battery is damp or wet, allow it to dry thoroughly before storing,  9.

WARNING

High temperatures can damage the battery and result in loss of performance and a shortened battery life. It may also cause the battery to generate heat, rupture, leak, ignite or explode, resulting in severe or fatal personal injury or property damage. Use and store the battery only within an ambient temperature range of 14 °F to 122 °F (- 10 °C to 50 °C),  9. Never store the battery in direct sunlight or inside a vehicle in hot weather,  9.



To properly store the battery:

- ▶ Take the battery out of the chain saw or the charger.
- ▶ Make sure the battery is dry and store it indoors in a dry and secure location.
- ▶ Keep it out of the reach of children and other unauthorized persons.
- ▶ Protect the battery against dampness and corrosive agents such as garden chemicals and de-icing salts.

- ▶ For maximum battery life, store the battery at an ambient temperature between 50 °F and 68 °F (10 °C and 20 °C) with a charge between 40 % and 60 % (2 green LEDs).
- ▶ Do not leave spare batteries unused. Use them in rotation.

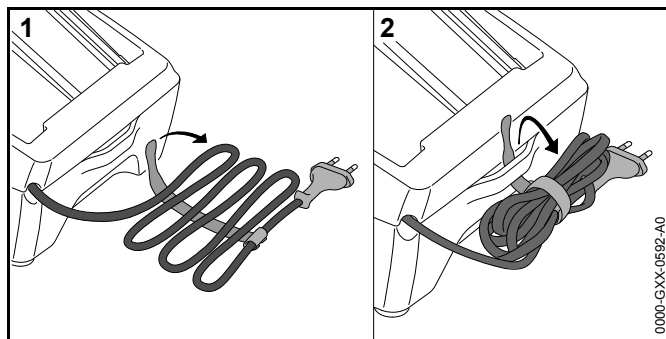
22.3 Charger

! WARNING

Store the charger indoors, in a dry, secure place that is inaccessible to children and other unauthorized users,  10. Improper storage can result in unauthorized use, misuse or damage to the charger that can lead to fire and otherwise increase the risk of severe personal injury and property damage,  10.

To properly store the charger:

- ▶ Remove the battery from the charger.
- ▶ Disconnect the charger from the wall outlet.




- ▶ Wrap the power supply cord and attach it to the charger.
- ▶ Store the charger indoors in a dry and secure location.
- ▶ Keep it out of the reach of children and other unauthorized persons.

23 Cleaning

23.1 Cleaning the Chain Saw, Battery and Charger

! WARNING


To reduce the risk of personal injury from unintended activation, remove the battery and engage the chain brake before carrying out any cleaning work,  11.1. Users of this chain saw should carry out only the cleaning described in this manual.

To clean the chain saw, battery and charger:


- ▶ Clean the chain saw's plastic components with a slightly dampened cloth. Do not use detergents or solvents. They may damage the polymer components.
- ▶ Remove the sprocket cover and clean the area around the chain sprocket with a slightly dampened cloth or resin solvent, such as STIHL Resin Remover & Lubricant.
- ▶ Do not use a pressure washer to clean the chain saw or otherwise spray it with water or other liquids.
- ▶ Keep the battery housing and guides free from foreign matter and clean as necessary with a soft brush or soft, dry cloth.
- ▶ Keep the charger housing and electrical contacts free from foreign matter. Clean as necessary with a soft brush or soft, dry cloth. Always unplug the charger before cleaning.

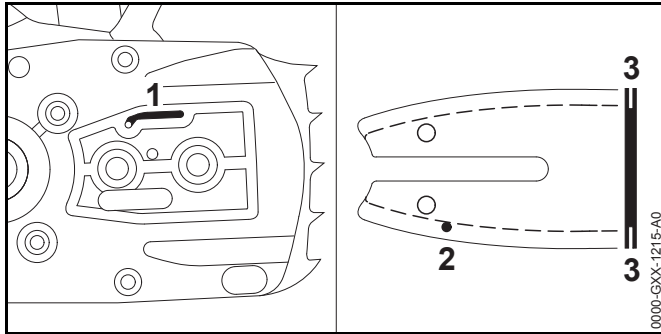
23.2 Cleaning the Guide Bar and Saw Chain

! WARNING

To reduce the risk of personal injury from unintended activation, remove the battery and engage the chain brake before carrying out any cleaning work,  11.1. Users of this chain saw should carry out only the cleaning described in this manual. To help prevent injuries, always wear heavy-duty work gloves when handling the saw chain.

To properly clean the guide bar and saw chain:

- ▶ Remove the guide bar and the saw chain,  15.2.2.




- ▶ Clean the oil outlet duct (1), oil inlet bore (2) and groove (3) with a brush, a slightly dampened cloth or resin solvent, such as STIHL Resin Remover & Lubricant. Do not use detergents.
- ▶ Clean the saw chain with a brush, a slightly dampened cloth or resin solvent. Do not use detergents.
- ▶ Do not use a pressure washer to clean the guide bar or saw chain or otherwise spray them with water or other liquids.

24 Inspection and Maintenance

24.1 Inspecting and Maintaining the Chain Saw

WARNING


To reduce the risk of personal injury from unintended activation, remove the battery before inspecting the chain saw or carrying out any maintenance,  11. Carry out only the maintenance operations described in this manual. There are no user-authorized repairs. STIHL recommends that repair work be performed by authorized STIHL servicing dealers.

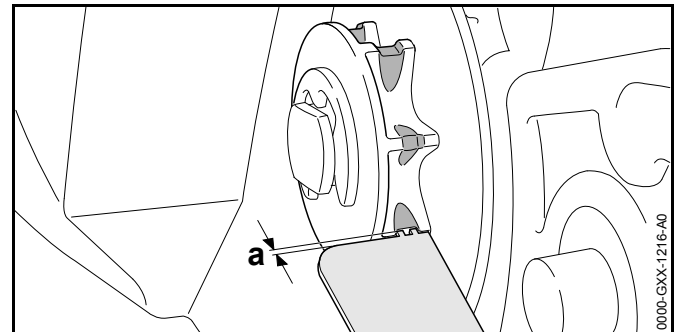
Proper maintenance of the chain saw includes the following activities:

- ▶ Inspecting the chain sprocket periodically and having a worn chain sprocket replaced by an authorized STIHL servicing dealer.
- ▶ Inspecting the guide bar for proper groove depth and spread and replacing the guide bar if it shows signs of excessive wear or damage.
- ▶ Periodically sharpening the chain, maintaining the depth limiting guides at the appropriate height and replacing the saw chain when indicated by the relevant wear marks or when the chain is damaged or shows signs of excessive wear.
- ▶ Having missing or damaged safety labels replaced by an authorized STIHL servicing dealer.

If you make a warranty claim for a component which has not been serviced or maintained properly, coverage may be denied.

24.2 Inspecting and Maintaining the Chain Sprocket

- ▶ Switch off the chain saw, engage the chain brake and remove the battery.
- ▶ Disengage the chain brake,  16.2.
- ▶ Remove the chain sprocket cover, saw chain and guide bar.




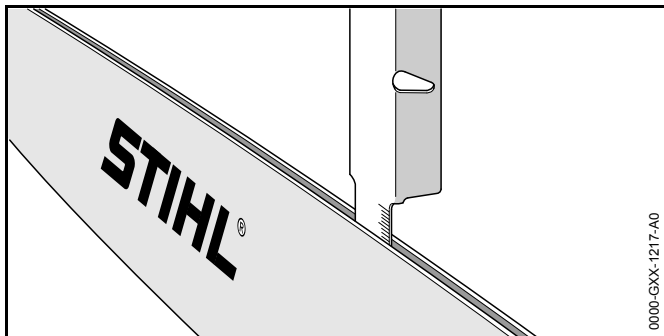
- ▶ Check the chain sprocket cover for wear marks.
- ▶ If the wear marks are deeper than $a = 0.020$ in. (0.5 mm), have the chain sprocket replaced.


STIHL recommends using genuine STIHL chain sprockets to ensure optimal functioning of the chain brake.

Alternating between two saw chains helps reduce wear and preserve the chain sprocket.

24.3 Inspecting and Maintaining the Guide Bar

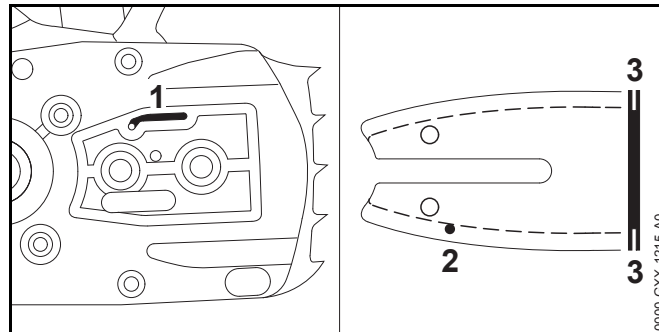
- ▶ Switch off the chain saw, engage the chain brake and remove the battery.
- ▶ Remove the guide bar and saw chain,  15.2.2.



- ▶ Measure the depth of the guide bar groove in the area with the greatest wear using the measuring tool on the file gauge (special accessory, not included).
- ▶ Replace the guide bar if the measured depth is less than the required minimum depths stated in  26.3.
- ▶ Check the spread of the guide bar groove with the measuring tool on the file gauge.
- ▶ Replace the guide bar if the groove is narrowed, spread or shows other signs of substantial wear or damage.

To maintain the guide bar:

- ▶ Flip the guide bar after each sharpening and each time the chain is changed to avoid uneven wear. There is no "top" or "bottom" of the bar. It may be used in either orientation, even though the printing on the bar may be upside down.



- ▶ Periodically clean the oil inlet hole (1), oil outlet channel (2) and bar groove (3).
- ▶ Periodically remove any metal burrs that may develop along the guide bar with a flat file or a STIHL guide bar dressing tool.
- ▶ Replace the guide bar if the burrs cannot be filed or if the guide bar becomes damaged.

24.4 Inspecting, Maintaining and Sharpening the Saw Chain

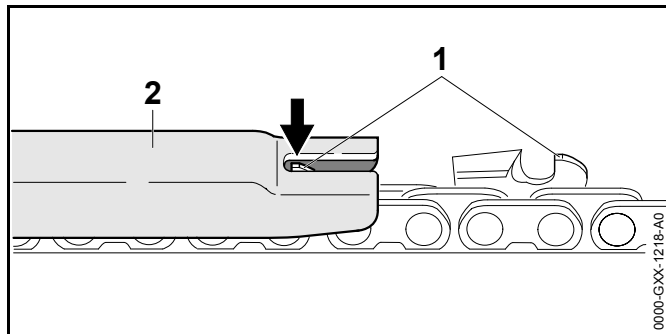
WARNING

An improperly sharpened saw chain can increase the risk of kickback and other reactive forces, resulting in severe personal injury or death. For example, depth gauges that are too low or cutters that are filed incorrectly can increase the kickback tendency of the chain saw and can increase kickback forces, making it more difficult to control the saw. Always review and follow the sharpening angles and dimensions recommended by STIHL when checking or sharpening the saw chain.

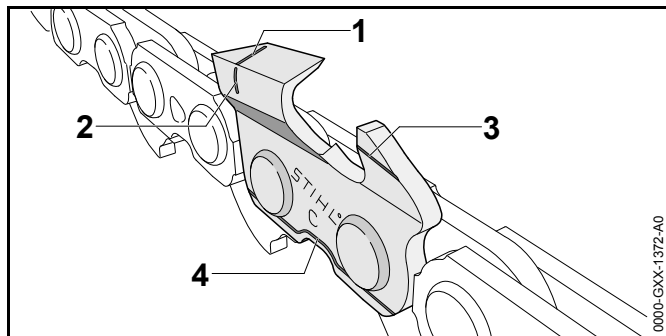
⚠ WARNING

Never use a dull or damaged saw chain. This leads to increased physical strain, increased vibration load, unsatisfactory cutting results and increased wear. If the chips from cutting are fine, more like saw dust than wood chips, the chain likely is dull.

- ▶ Switch off the chain saw, engage the chain brake and remove the battery.



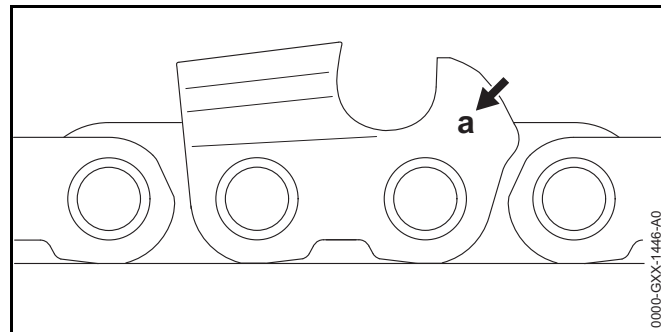
- ▶ Check the height of the depth gauge (1) with a STIHL file gauge (2) matching the pitch of the saw chain.
- ▶ If the depth gauge protrudes higher than the file gauge, file the depth gauge to the appropriate height.
- ▶ Work carefully. Do not file the depth gauge too low. A depth gauge that is too low must be replaced or sharpened by an authorized STIHL servicing dealer, as it can increase the kickback tendency of the chain saw and can increase kickback forces.



STIHL saw chain is manufactured with wear marks to help the operator identify excessive wear. The wear marks depicted above (1 - 4) must remain visible.

- ▶ Replace the saw chain if any wear marks are no longer visible.
- ▶ Check the sharpening angle of the cutters with a STIHL file gauge matching the pitch of the saw chain, 26.4.
- ▶ If the sharpening angle is incorrect, file the cutters to the proper angle, 26.4.
- ▶ If you are unable to achieve the proper angle, or suspect you have not achieved the proper angle, have the saw chain sharpened by an authorized STIHL servicing dealer.

An improperly filed chain can be very dangerous and increase the tendency of the chain saw to kickback and can increase kickback and other reactive forces.




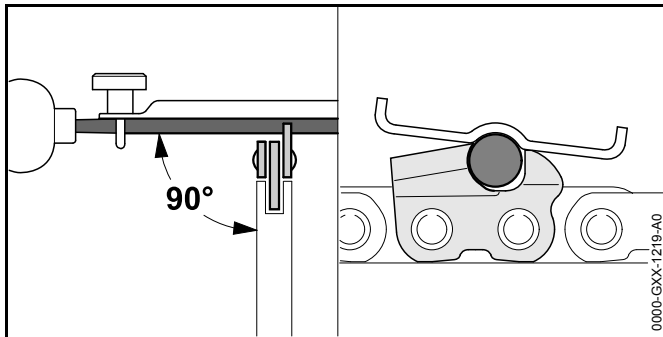
The chain pitch marking (a) is embossed in the area of the depth gauge of each cutter.

The markings mean the following:

Marking (a)	Saw Chain Pitch
1	1/4"
2	.325"
3	3/8"
4	.404"
6	3/8" PICCO
7	1/4" PICCO

To sharpen the saw chain:

- ▶ Switch off the chain saw, engage the chain brake and remove the battery.
- ▶ Select a saw chain file with a diameter matching the pitch of the saw chain.
Other files are unsuitable and can result in improperly filed chain, which can increase the potential and force of kickback or other reactive forces.
- ▶ Clamp the guide bar if necessary to make filing easier.
- ▶ To advance the saw chain, first disengage the chain brake,  16.2.
- ▶ Use a file holder.
File holders have markings that indicate the proper sharpening angle.
- ▶ File all the cutters with an identical angle. Two or three strokes of the file are usually sufficient for simple resharpener. Remove a little material with each stroke. Sharpening at varying or inconsistent angles or heights can be very dangerous and may result in rough or uneven running of the saw chain and increased wear, even to the point of saw chain breakage. It also can increase the tendency of the chain saw to kickback and increase kickback and other reactive forces.



- ▶ Guide the file horizontally at a right angle to the side surface of the guide bar in accordance with the specified angle.
- ▶ File only from the inside of the cutter outward.
- ▶ Lift the file on the backstroke. The file only sharpens on the forward stroke.

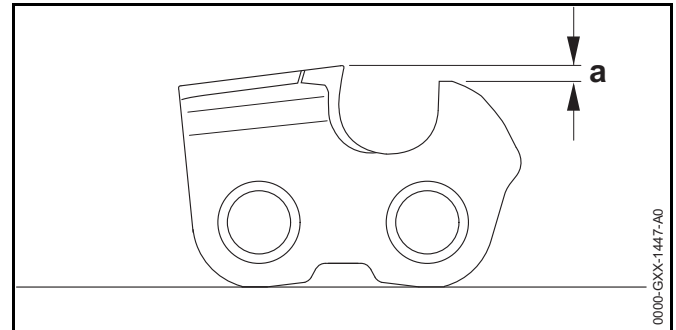
- ▶ Do not file tie straps or drive links.
- ▶ Periodically rotate the file in order to avoid uneven wear.
- ▶ To remove a file burr from the cutter tooth, run the cutter across a piece of hardwood.
- ▶ Check the sharpening angle with a file gauge.

All cutters must be of equal length and be filed down to the length of the shortest cutter. Otherwise, the kickback tendency of the chain saw and kickback and other reactive forces will increase.

STIHL recommends having your saw chain sharpened by an authorized STIHL servicing dealer to reduce the risk of severe or fatal injury from an improperly sharpened chain.


WARNING

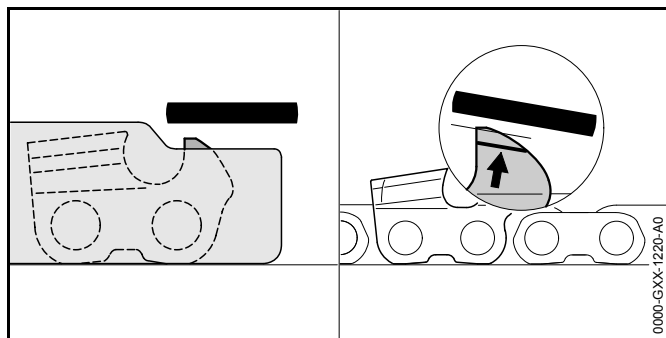
Depth gauges that are too low increase the kickback tendency of the chain saw and can increase kickback and other reactive forces, which can increase the risk of serious personal injury. Always maintain the proper distance (a) between the depth gauge and the top of the cutter.



The depth gauge determines the depth to which the cutter penetrates the wood and thus the chip thickness.

A depth gauge that is too low will increase the kickback tendency of the chain saw and can increase kickback forces.

A depth gauge that is too high will prevent the cutter from entering the workpiece and will lead to poor cutting performance. Always keep the required distance (a) between depth gauge and cutting edge,  26.5.













To properly lower the depth gauge:

- ▶ Lay the appropriate file gauge for the chain pitch on the saw chain and press it against the cutter to be checked. If the depth gauge protrudes past the file gauge, the depth gauge must be filed down.
- ▶ File the depth gauge so that it is flush with the file gauge.
- ▶ Afterwards, remove the file gauge and file the leading edge of the depth gauge parallel to the service mark. When doing this, be careful not to further lower the highest point of the depth gauge.
- ▶ Lay the file gauge on the saw chain to check the height of the file gauge. The highest point of the depth gauge must be flush with the file gauge.
- ▶ After sharpening, clean the saw chain thoroughly, removing any filings or grinding dust.
- ▶ Oil the saw chain thoroughly.


25 Troubleshooting Guide

25.1 Chain Saw and Battery

Always remove the battery before carrying out any inspection, cleaning or maintenance.

Condition	LEDs on Battery	Cause	Remedy
Chain saw does not start when switched on.		No electrical contact between chain saw and battery.	<ul style="list-style-type: none"> ▶ Remove the battery,  17.2. ▶ Engage the chain brake,  16.1. ▶ Visually check the electrical contacts in the battery compartment and on the battery. ▶ Reinsert the battery,  17.1.
	1 LED flashes green.	Battery has low charge.	▶ Charge the battery,  13.
	1 LED glows red.	Battery too hot / too cold.	▶ Allow the battery to warm up or cool down gradually at ambient temperatures of about 50 °F to 68 °F (10 °C to 20 °C).
	4 LEDs flash red.	Malfunction in battery.	<ul style="list-style-type: none"> ▶ Remove the battery and reinsert it,  17. ▶ Switch on the chain saw,  18.1. ▶ If the LEDs continue to flash, do not attempt to use. The battery has a malfunction and must be replaced.
	3 LEDs glow red.	Chain saw too hot.	▶ Allow the chain saw to cool down.
	3 LEDs flash red.	Malfunction in chain saw.	<ul style="list-style-type: none"> ▶ Remove the battery and reinsert it,  17 ▶ Switch on the chain saw,  18.1. ▶ If the LEDs still flash, do not attempt to use. The chain saw has a malfunction and must be checked by a servicing dealer.
Chain saw cuts out during operation.	1 LED glows red.	Battery too hot / too cold.	<ul style="list-style-type: none"> ▶ Remove the battery,  17.2. ▶ Engage the chain brake,  16.1.
	3 LEDs glow red.	Chain saw too hot.	▶ Allow the chain saw and battery to cool down gradually at ambient temperatures of about 50 °F to 68 °F (10 °C to 20 °C).

Always remove the battery before carrying out any inspection, cleaning or maintenance.

Condition	LEDs on Battery	Cause	Remedy
Runtime is too short.		Battery not fully charged.	▶ Charge the battery,  13.
		Useful life of battery has been reached or exceeded.	▶ Have the battery checked by an authorized STIHL servicing dealer.
Battery is not being charged even though LED on charger glows green.	1 LED glows red.	Battery too hot / too cold.	<ul style="list-style-type: none"> ▶ Allow the battery to warm up or cool down gradually at ambient temperatures of about 50 °F to 68 °F (10 °C to 20 °C). ▶ Operate the charger only in enclosed, dry rooms at ambient temperatures of 41 °F to 104 °F (5 °C to 40 °C).

25.2 Charger

Condition	LEDs on Charger	Cause	Remedy
LED on charger flashes red.	LED flashes red.	No electrical contact between charger and battery.	▶ Remove the battery and reinsert it into the charger.
		Malfunction in battery.	<ul style="list-style-type: none"> ▶ Remove the battery and reinsert it into the charger. ▶ If the LED continues to flash, do not attempt to charge. If 4 LEDs on the battery are flashing, it has a malfunction and must be replaced. Otherwise, have the battery checked by an authorized STIHL servicing dealer.
		Malfunction in charger.	▶ Have the charger checked by an authorized STIHL servicing dealer.

26 Specifications

26.1 STIHL MSA 140 C

Intended for household use.

- Approved battery type: STIHL AK series
- Weight without battery, guide bar and saw chain: 4.6 lbs. (2.1 kg)
- Maximum oil tank volume: 3.7 oz. (0.11 l)

26.2 Chain Sprockets

- 6-tooth for 1/4" PICCO

26.3 Minimum Groove Depth of Guide Bars

The minimum groove depth of a guide bar depends on the pitch of the guide bar.

- 1/4" PICCO: 0.157 in. (4 mm)

26.4 Sharpening Angle of Saw Chains

- 71 PM3 (Type 3670): 30°

26.5 Depth Gauge Setting

The Depth gauge setting of a saw chain depends on the pitch of the saw chain.

- 1/4" P: 0.018 in. (0.45 mm)

26.6 STIHL AK Series Battery

Approved charger type: STIHL AL series.

- Battery technology: Lithium-Ion
- Voltage: 36 V
- Capacity in Ah: See rating plate
- Energy content in Wh: See rating plate
- Weight in kg: See rating plate

- Permissible ambient temperature range during use or storage: 14 °F to 122 °F (- 10 °C to 50 °C)


For a complete list of approximate charging times, see www.stihl.com/charging-times.


26.7 STIHL AL 101


- Mains voltage: 120 V
- Rated current: 1.3 A
- Frequency: 60 Hz
- Charging current: 1.5 A
- Rated power: 75 W
- Insulation: Class II (Double Insulation)
- Permissible ambient temperature range during charging: 41 °F to 104 °F (5 °C to 40 °C)

26.8 Symbols on the Chain Saw, Battery and Charger

Symbol	Explanation
V	Volt
Hz	Hertz
A	Ampere
Ah	Ampere hour
W	Watt
Wh	Watt hour
AC	Alternating current
IP20	Degree of electrical protection

 Engage the chain brake.

 Disengage the chain brake.

 Chain oil tank



Maximum guide bar length



Direction of saw chain rotation



Turn clockwise to tension the saw chain.



Certification mark of the CSA-Group. Products bearing this mark have been certified based on national standards by the CSA third party Certification Body.



STIHL products must not be disposed of in the household trash, but only in accordance with local, state and federal laws and regulations and as provided in this manual, 29.



Direct current



Number of cells and energy content according to cell manufacturer's specification. The energy content available in specific applications is lower.



The RBRC seal indicates that STIHL has prepaid for battery recycling.



Read the manual.



Insulation: Class II (Double Insulation)



Use and store charger only indoors in dry rooms.



California Energy Commission. This battery system complies with the California Energy Commission efficiency requirements.



Manufacturer Code

26.9 FCC 15 Compliance Statement

This device complies with part 15 of the FCC Rules.

Operation is subject to the following two conditions:

- this device may not cause harmful interference.
- this device must accept any interference received, including interference that may cause undesired operation.

Note: This equipment has been tested and found to comply with the limits for a Class B digital device, pursuant to part 15 of the FCC Rules. These limits are designed to provide reasonable protection against harmful interference in a residential installation. This equipment generates, uses and can radiate radio frequency energy and, if not installed and used in accordance with the instructions, may cause harmful interference to radio communications. However, there is no guarantee that interference will not occur in a particular installation.

If this equipment does cause harmful interference to radio or television reception, which can be determined by turning the equipment off and on, the user is encouraged to try to correct the interference by one or more of the following measures:

- reorient or relocate the receiving antenna,
- increase the separation between the equipment and receiver,
- connect the equipment into an outlet on a circuit different from that to which the receiver is connected,
- consult an authorized STIHL servicing dealer or an experienced radio/TV technician for help.

Do not change or modify this product in any way unless specifically allowed in this manual, since this could void your authority to operate it.

27 Combinations of Guide Bars and Saw Chains

27.1 STIHL MSA 140 C

Pitch	Drive link gauge/ Groove width	Length	Guide bar	Number of teeth of sprocket	Drive link count	Saw chain
1/4" P	1,1 mm	10 in. (25 cm)	Rollomatic E Mini	8	56	71 PM3 (Type 3670)
		12 in. (30 cm)			64	

The guide bar and saw chain combinations listed above meet the 45° computed kickback angle requirement of UL 60745-2-13 (for Canada: CSA Z 62.3) when used on this model chain saw with the matching chain sprocket listed above.


Use replacement guide bars or saw chains only as listed above or as listed elsewhere by STIHL as conforming with the 45° computed kickback angle requirement of UL 60745-2-13 (for Canada: CSA Z 62.3) when used on this model chain saw.

The listed guide bars are green-labeled reduced kickback STIHL guide bars. The listed saw chains are green-labeled low kickback STIHL saw chains

Since new bar/chain combinations may be developed after publication of this manual, ask your authorized STIHL servicing dealer for the latest STIHL recommendations.

28 Replacement Parts and Equipment

28.1 Genuine STIHL Replacement Parts

STIHL recommends the use of genuine STIHL replacement parts. Genuine STIHL parts can be identified by the STIHL part number, the **STIHL** logo and, in some cases, by the STIHL parts symbol . The symbol may appear alone on small parts.

29 Disposal

29.1 Disposal of the Chain Saw and Charger

STIHL products must not be thrown in household trash or disposed of except as outlined in this manual.

- ▶ Take the chain saw, charger, accessories and packaging to an approved disposal site for environmentally friendly recycling.
- ▶ Contact your authorized STIHL servicing dealer for the latest information on disposal and recycling.

29.2 Battery Recycling

WARNING

Handle discharged/depleted batteries carefully. Even if believed to be discharged, lithium ion batteries may never totally discharge and still may deliver a dangerous short circuit current. If damaged or exposed to high temperatures, they may leak, generate heat, catch fire or explode.

- ▶ Observe all federal, state and local disposal rules and regulations.
- ▶ Contact your authorized STIHL servicing dealer for the latest information on waste disposal.
- ▶ Recycle depleted batteries promptly.
- ▶ Keep batteries away from children. Do not disassemble and do not dispose of in fire.



STIHL is committed to the development of products that are environmentally responsible. This commitment does not stop when the product leaves the authorized STIHL servicing dealer. STIHL has partnered with the RBRC (Rechargeable Battery Recycling Corporation) to promote the collection and recycling of spent STIHL lithium ion batteries in the United States and Canada.

The RBRC seal indicates that STIHL has prepaid for battery recycling. RBRC has a toll free phone number (1-800-822-8837) that connects you to information on battery recycling locations and information on battery disposal bans or restrictions in your area. You can also return your spent battery to any authorized STIHL servicing dealer for recycling free of charge.

30 Limited Warranty

30.1 STIHL Incorporated Limited Warranty Policy

This product is sold subject to the STIHL Incorporated Limited Warranty Policy, available at <http://www.stihlusa.com/warranty.html>. It can also be obtained from your authorized STIHL dealer or by calling 1-800-GO-STIHL (1-800-467-8445).

31 Trademarks

31.1 Registered Trademarks

STIHL®

STIHL®



The color combination orange-grey (U.S. Registrations #2,821,860; #3,010,057, #3,010,058, #3,400,477; and #3,400,476)

FARM BOSS®

iCademy®

MAGNUM®

MasterWrench Service®

MotoMix®

OILOMATIC®

Rock Boss®

STIHL Cutquik®

AutoCut®
 YARD BOSS®
 STIHL ROLLOMATIC®
 WOOD BOSS®



STIHL DUROMATIC®
 STIHL Quickstop®
 STIHL WOOD BOSS®
 TIMBERSPORTS®



31.2 Common Law Trademarks

4-MIX™	HT Plus™
BioPlus™	STIHL PowerSweep™
Easy2Start™	STIHL Protech™
EasySpool™	STIHL MiniBoss™
ElastoStart™	STIHL MotoPlus 4™
Ematic™	Master Control Lever™
STIHL Precision Series™	STIHL OUTFITTERS™
FixCut™	STIHL PICCO™
Micro™	TrimCut™
Pro Mark™	STIHL M-Tronic™
Quad Power™	STIHL HomeScaper Series™
Quiet Line™	STIHL PolyCut™
STIHL Arctic™	STIHL RAPID™
STIHL Compact™	STIHL SuperCut™
STIHL Interchangeable Attachment Series™	STIHL Multi-Cut HomeScaper Series™
TapAction™	STIHL Territory™



This listing of trademarks is subject to change.

Any unauthorized use of these trademarks without the express written consent of ANDREAS STIHL AG & Co. KG, Waiblingen is strictly prohibited.

32 Addresses

32.1 STIHL Incorporated

STIHL Incorporated

536 Viking Drive

P.O. Box 2015

Virginia Beach, VA

23452-2015

Contenido

1	Introducción	64	8	Técnicas adecuadas para el tronzado, el desramado, la poda y la tala básicos	87
2	Acerca de este manual de instrucciones	64	8.1	Usos previstos.....	87
2.1	Palabras identificadoras.....	64	8.2	Tronzado.....	87
2.2	Símbolos en el texto.....	64	8.3	Desrame.....	88
3	Componentes importantes	65	8.4	Poda.....	89
3.1	Motosierra, batería y cargador.....	65	8.5	Corte de troncos bajo tensión.....	90
4	Símbolos de seguridad en los productos	66	8.6	Tala.....	90
4.1	Motosierra, batería y cargador.....	66	9	Seguridad de la batería	94
5	Advertencias generales de seguridad para herramientas motorizadas	67	9.1	Advertencias e instrucciones.....	94
5.1	Introducción.....	67	10	Seguridad del cargador	96
5.2	Seguridad en la zona de trabajo.....	67	10.1	Advertencias e instrucciones.....	96
5.3	Seguridad eléctrica.....	67	11	Mantenimiento, reparación y almacenamiento	97
5.4	Seguridad personal.....	68	11.1	Advertencias e instrucciones.....	97
5.5	Uso y cuidado de la herramienta eléctrica.....	68	12	Antes de empezar a trabajar	99
5.6	Uso y cuidado de la herramienta de baterías.....	69	12.1	Preparación de la motosierra para el funcionamiento:.....	99
5.7	Mantenimiento.....	69	13	Carga de la batería	99
5.8	Advertencias de seguridad generales para motosierras.....	69	13.1	Preparación del cargador para el funcionamiento.....	99
5.9	Causas del contragolpe y medidas de prevención.....	70	13.2	Carga.....	99
6	INSTRUCCIONES IMPORTANTES DE SEGURIDAD	71	14	Diagnóstico de LED	100
6.1	Uso previsto.....	71	14.1	LED en la batería.....	100
6.2	Operador.....	72	14.2	LED en el cargador.....	101
6.3	Equipos de protección personal.....	73	15	Armado de la motosierra	101
6.4	Motosierra.....	73	15.1	El accesorio de corte.....	101
6.5	Uso de la motosierra.....	75	15.2	Montaje y extracción de la espada y la cadena de aserrado.....	102
7	Contragolpe y otras fuerzas reactivas	81	15.3	Tensado de la cadena de aserrado.....	104
7.1	Fuerzas reactivas.....	81	15.4	Lubricación de la cadena de aserrado y de la espada.....	105
7.2	Contragolpe.....	81	16	El freno de cadena	106
7.3	Tirón.....	86	16.1	Accionamiento del freno de la cadena.....	106
7.4	Rechazo.....	86	16.2	Cómo soltar el freno de la cadena.....	106

Este manual de instrucciones está protegido por derechos de propiedad intelectual. Todos los derechos reservados, especialmente los derechos de reproducción, traducción y procesamiento con sistemas electrónicos.

16.3 Mantenimiento del freno de la cadena.....	107	26.1 STIHL MSA 140 C	122
17 Colocación y extracción de la batería.....	107	26.2 Piñones de cadena	122
17.1 Colocación de la batería	107	26.3 Profundidad de ranura mínima para las espadas ..	122
17.2 Extracción de la batería	108	26.4 Ángulo de afilado de las cadenas de aserrado ..	122
18 Encendido y apagado de la motosierra	108	26.5 Ajuste de calibrador de profundidad.....	122
18.1 Encendido	108	26.6 Batería STIHL serie AK	122
18.2 Apagado.....	109	26.7 STIHL AL 101	122
19 Revisión de la motosierra	109	26.8 Símbolos de la motosierra, de la batería y del cargador.....	122
19.1 Control del funcionamiento del freno de la cadena.....	109	26.9 Declaración de cumplimiento con norma FCC 15 ..	123
19.2 Prueba de los controles	110	27 Combinaciones de espadas y cadenas de aserrado	124
19.3 Prueba de la lubricación de la cadena de aserrado	110	27.1 STIHL MSA 140 C	124
20 Después de completar el trabajo	111	28 Piezas y equipos de repuesto	125
20.1 Preparación para el transporte o el almacenamiento.....	111	28.1 Piezas de repuesto originales de STIHL.....	125
21 Transporte de la motosierra y de la batería	111	29 Eliminación	125
21.1 Motosierra	111	29.1 Desecho de la motosierra y del cargador.....	125
21.2 Batería.....	112	29.2 Reciclado de las baterías	125
22 Almacenamiento de la motosierra, de la batería y del cargador	112	30 Garantía limitada	125
22.1 Motosierra	112	30.1 Política de garantía limitada de STIHL Incorporated	125
22.2 Batería	112	31 Marcas comerciales.....	126
22.3 Cargador	113	31.1 Marcas comerciales registradas.....	126
23 Limpieza	113	31.2 Marcas comerciales por ley común.....	126
23.1 Limpieza de la motosierra, de la batería y del cargador	113	32 Direcciones	126
23.2 Limpieza de la espada y la cadena de aserrado ..	114	32.1 STIHL Incorporated.....	126
24 Inspección y mantenimiento	114		
24.1 Inspección y mantenimiento de la motosierra.....	114		
24.2 Revisión y mantenimiento del piñón de cadena ..	115		
24.3 Inspección y mantenimiento de la espada.....	115		
24.4 Inspección, mantenimiento y afilado de la cadena de aserrado	116		
25 Guía de solución de problemas	120		
25.1 Motosierra y batería.....	120		
25.2 Cargador	121		
26 Especificaciones	122		

1 Introducción

Gracias por su compra. La información que contiene este manual lo ayudará a obtener el máximo rendimiento y satisfacción de la motosierra STIHL, y a reducir el riesgo de lesiones que supone su uso, si dicha información se respeta.

¡CONSERVE ESTE MANUAL!



Dado que la motosierra es una herramienta motorizada para cortar madera que funciona a gran velocidad, es necesario tomar medidas especiales de seguridad para reducir el riesgo de lesiones.



Lea este manual de instrucciones detenidamente antes del uso y periódicamente de allí en adelante. Aténgase a todas las instrucciones de seguridad. El uso descuidado o inadecuado de cualquier motosierra puede causar lesiones graves e incluso mortales.

Pida a su concesionario de servicio STIHL autorizado que le enseñe el manejo de la herramienta motorizada.

No preste ni alquile nunca su motosierra sin el manual de instrucciones. Solamente permita que las personas que comprenden la información de este manual por completo manejen la motosierra.

Para obtener más información, o si no comprende alguna de las instrucciones incluidas en este manual, visite www.stihlusa.com (para Canadá: www.stihl.ca) o comuníquese con un concesionario de servicio STIHL autorizado.

2 Acerca de este manual de instrucciones

2.1 Palabras identificadoras

Este manual contiene información sobre seguridad a la que usted debe prestar atención especial. Dicha información se indica con los siguientes símbolos y palabras identificadoras:



PELIGRO

Identifica una situación de peligro que, de no evitarse, causará lesiones graves o mortales.



ADVERTENCIA

Identifica una situación de peligro que, de no evitarse, podría causar lesiones graves o mortales.

INDICACIÓN

Indica el riesgo de daños a la propiedad, incluidos la máquina o sus componentes.

2.2 Símbolos en el texto

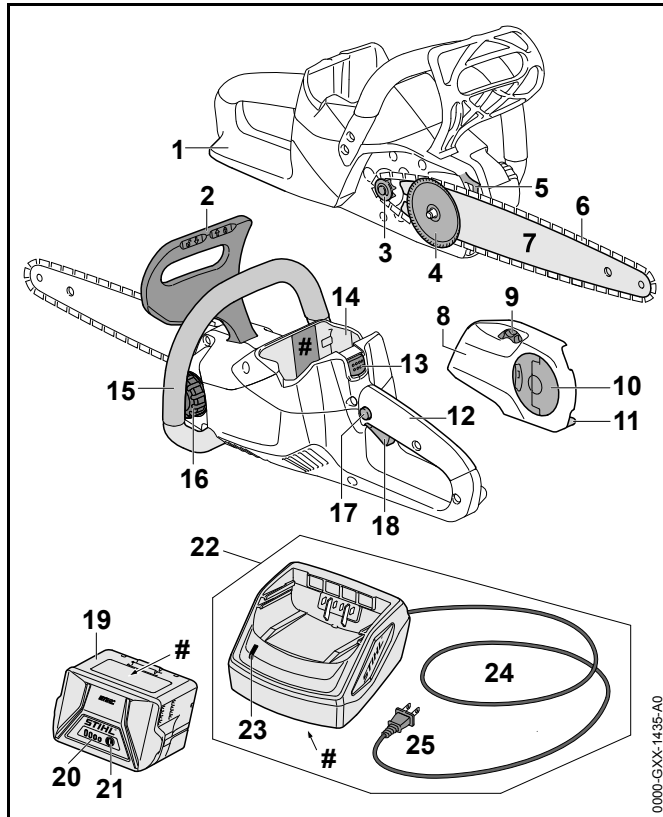
El siguiente símbolo tiene como finalidad ayudarlo a utilizar este manual.



Hace referencia a un capítulo o subcapítulo designado en este manual de instrucciones.

3 Componentes importantes

3.1 Motosierra, batería y cargador



1 Protector trasero de la mano

Ayuda a proteger la mano derecha del operador en caso de que se rompa la cadena o se salga la espada.

2 Protector delantero de la mano

Ayuda a proteger la mano izquierda del operador de las ramas prominentes y del contacto con la cadena de aserrado. Funciona como la palanca activadora del freno de la cadena.

3 Piñón de la cadena

Impulsa la cadena de aserrado.

4 Engranaje del tensor

Desplaza la espada y tensa o afloja la cadena de aserrado.

5 Púa de tope

Ayuda a sostener la sierra fija contra el árbol, el tronco o la rama durante el corte.

6 Cadena de aserrado

Herramienta de corte dentada formada por cortadores, amarras y eslabones impulsores.

7 Espada

Sirve de soporte y de guía de la cadena de aserrado.

8 Cubierta del piñón de la cadena

Cubre el piñón de la cadena.

9 Rueda de ajuste

Permite el ajuste preciso de la tensión de la cadena de aserrado.

10 Tuerca mariposa

Ajusta la cubierta del piñón de la cadena a la motosierra.

11 Gancho retenedor de la cadena

Ayuda a contener la cadena de aserrado y reducir el riesgo de contacto con el operador en caso de que la cadena se rompa y se salga de la espada.

12 Mango trasero

Mango para la mano derecha del operador.

13 Palanca de bloqueo

Fija la batería en el compartimiento para la batería.

14 Compartimiento para la batería

Sostiene la batería.

15 Mango delantero

Mango para la mano izquierda del operador.

16 Tapa de llenado de aceite

Cierra y sella el tanque de aceite.

17 Bloqueo del gatillo

Previene la activación del gatillo de aceleración hasta que no se encuentre oprimido.

18 Gatillo

Enciende y apaga el motor.

19 Batería

Suministra energía eléctrica al motor.

20 LED de la batería

Indican el estado de carga de la batería y los mensajes de error de la pantalla acerca de los posibles defectos de la batería o de la herramienta eléctrica.

21 Pulsador

Activa los LED de la batería.

22 Cargador

Carga la batería.

23 LED del cargador

Indica el estado de funcionamiento del cargador.

24 Cordón eléctrico

Suministra electricidad al cargador cuando está enchufado a un tomacorriente de pared.

25 Enchufe

Conecta el cordón eléctrico al tomacorriente de pared.

Placa de capacidad nominal

Contiene información eléctrica y el número de serie del producto.



Para reducir el riesgo de lesiones, respete las medidas de seguridad especificadas.



Lea y respete todas las medidas de seguridad dadas en el manual de instrucciones. El uso inadecuado puede provocar lesiones personales graves o mortales o daños a la propiedad.



Para reducir el riesgo de lesiones oculares o en la cabeza, use siempre gafas protectoras adecuadas y un casco protector aprobado. 6.3.



Evite que la punta de la espada choque con cualquier tipo de objeto. Eso puede hacer que la espada salte de repente hacia arriba y hacia atrás, lo que podría provocar lesiones graves o mortales. Siempre maneje la sierra con las dos manos. 7.



Para reducir el riesgo de lesiones o daños a la propiedad debido a la activación inesperada, quite la batería cuando la sierra no esté en uso. 6.5.



Para reducir el riesgo de descarga eléctrica, no exponga la motosierra a la lluvia, al agua o a la humedad excesiva. Guárdela bajo techo. Si se expone a la lluvia o a condiciones muy húmedas, llévelo a su concesionario de servicio STIHL autorizado antes de continuar utilizándolo. 6.4.


Para reducir el riesgo de lesiones personales o daños a la propiedad causados por incendios o descargas eléctricas, no moje el cargador. Protéjalo de la lluvia, el agua, los líquidos y las condiciones de humedad. Para uso en interior únicamente. 10.

4 Símbolos de seguridad en los productos


4.1 Motosierra, batería y cargador

Los siguientes símbolos de seguridad están presentes en la motosierra, la batería y/o el cargador:




Para reducir el riesgo de lesiones personales o daños a la propiedad debido a incendios, explosiones o quemaduras, incluidas las quemaduras químicas, no desarme, aplaste, deje caer, dañe o caliente la batería a más de 100 °C (212 °F). Nunca la exponga al fuego ni la incinere.  9.



Para reducir el riesgo de lesiones personales o daños a la propiedad causados por un cortocircuito, un incendio o una explosión, mantenga la batería seca. Protéjalo de la lluvia, el agua, los líquidos y las condiciones de humedad. Nunca sumerja la batería en agua u otros líquidos,  9.



Para reducir el riesgo de lesiones personales o daños a la propiedad debido a un incendio, use y almacene la batería solo dentro de un rango de temperatura ambiente de -10 °C a 50 °C (14 °F a 122 °F).  9.

5 Advertencias generales de seguridad para herramientas motorizadas

5.1 Introducción

Este capítulo contiene las advertencias e instrucciones de seguridad generales prescriptas para herramientas eléctricas manuales motorizadas y motosierras eléctricas motorizadas. En los siguientes capítulos de este manual, se proporcionan otras advertencias e instrucciones importantes.

⚠️ ADVERTENCIA

- **Lea todas las advertencias de seguridad y todas las instrucciones.** Si no se siguen todas las advertencias e instrucciones, se podrían producir descargas eléctricas, incendios o lesiones graves.
- **Conserve todas las advertencias e instrucciones para referencia en el futuro.**

El término "herramienta motorizada" que aparece en las advertencias se refiere a su herramienta alimentada por cordón eléctrico o por batería (inalámbrica).

5.2 Seguridad en la zona de trabajo

- a) **Mantenga la zona de trabajo limpia y bien iluminada.** Las zonas desordenadas y oscuras son propensas a accidentes.
- b) **No utilice las herramientas mecánicas en entornos explosivos, tales como cuando hay líquidos, gases o polvos inflamables presentes.** Las herramientas mecánicas producen chispas que podrían encender el polvo o los vapores.
- c) **Mantenga a los niños y a terceros alejados de la herramienta motorizada al usarla.** Las distracciones podrían hacerle perder el control.

5.3 Seguridad eléctrica

- a) **El enchufe de la herramienta motorizada debe corresponder con el tomacorriente. Nunca modifique el enchufe en modo alguno. No utilice enchufes adaptadores con herramientas eléctricas que tengan clavija de puesta a tierra.** El uso de enchufes no modificados con tomacorrientes correspondientes reduce el riesgo de descargas eléctricas.
- b) **Evite el contacto entre su cuerpo y superficies puestas a tierra tales como tubos, radiadores, estufas y refrigeradores.** Existe un riesgo mayor de sufrir sacudidas eléctricas si su cuerpo está conectado con tierra.
- c) **No esponga las herramientas mecánicas a la lluvia ni a condiciones húmedas.** Si entra agua a una herramienta motorizada se aumenta el riesgo de sufrir sacudidas eléctricas.
- d) **No maltrate el cordón eléctrico. Nunca utilice el cordón eléctrico para sostener, arrastrar o desenchufar la herramienta motorizada. Mantenga el cordón alejado del calor, aceite, bordes afilados y piezas móviles.** Los cordones averiados o retorcidos aumentan el riesgo de sacudidas eléctricas.

- e) **Cuando se usa una herramienta motorizada a la intemperie, utilice un cordón de extensión adecuado para uso a la intemperie.** Un cordón adecuado para uso a la intemperie reduce el riesgo de sacudidas eléctricas.
- f) **Si resulta ineludible el uso de una herramienta motorizada en un lugar húmedo, utilice un suministro de energía eléctrica con dispositivo de corriente residual (RCD).** El uso de un RCD reduce el riesgo de sacudidas eléctricas.

5.4 Seguridad personal

- a) **Manténgase alerta, observe lo que hace y utilice buen criterio al usar una herramienta motorizada. No utilice una herramienta eléctrica si está cansado o bajo la influencia de drogas, alcohol o medicamentos.** Un descuido momentáneo durante el uso de una herramienta motorizada puede causar una lesión personal grave.
- b) **Utilice equipos de protección personal. Siempre protéjase los ojos.** El uso de equipos protectores tales como mascarillas, zapatos de seguridad antirresbalones, casco y protectores de oídos en condiciones apropiadas reduce las lesiones personales.
- c) **Evite los arranques accidentales. Verifique que el interruptor se encuentre en posición de apagado antes de conectar la máquina a la fuente de energía y/o a la batería, antes de levantar o de acarrear la herramienta.** Acarrear herramientas mecánicas con un dedo sobre el interruptor de encendido, o conectarle la alimentación a herramientas cuyo interruptor está en posición de encendido es buscar un accidente.
- d) **Quite todas las llaves o herramientas de ajuste antes de encender la herramienta motorizada.** Una herramienta o llave que se deje colocada en un componente giratorio de la herramienta motorizada podría causar lesiones personales.
- e) **No trate de alcanzar más lejos de lo debido. Mantenga los pies bien apoyados y equilibrados en todo momento.** Esto brinda un mejor control de la herramienta motorizada si sucede alguna situación inesperada.

- f) **Use vestimenta adecuada. No utilice ropa suelta ni artículos de joyería. Mantenga su cabello, vestimenta y guantes alejados de las piezas móviles.** La ropa suelta, los artículos de joyería o el cabello largo pueden ser atrapados por los componentes en movimiento.
- g) **Si se tienen dispositivos para la conexión de aparatos extractores y recogedores de polvo, verifique que los mismos estén conectados y que se usen debidamente.** El uso de un recogedor de polvo puede reducir los peligros relacionados con el polvo.
- h) **No permita que la familiaridad adquirida del uso frecuente de herramientas haga que se vuelva complaciente e ignore los principios de seguridad de la herramienta.** Una acción descuidada puede causar lesiones graves en una fracción de un segundo.

5.5 Uso y cuidado de la herramienta eléctrica

- a) **No fuerce la herramienta motorizada. Utilice la herramienta motorizada correcta para su situación.** La herramienta motorizada correcta lleva a cabo la tarea de modo mejor y más seguro, y al ritmo para la cual fue diseñada.
- b) **No utilice la herramienta motorizada si su interruptor no la enciende y la apaga.** Toda herramienta motorizada que no pueda controlarse con su interruptor es peligrosa y deberá ser reparada.
- c) **Desconecte el enchufe de la fuente de energía o quite el paquete de baterías, si es desmontable, de la herramienta eléctrica antes de hacer ajustes, cambiar accesorios o almacenar la herramienta.** Estas medidas preventivas de seguridad reducen el riesgo de arrancar la herramienta motorizada por accidente.
- d) **Guarde las herramientas mecánicas fuera del alcance de los niños y no permita que personas no familiarizadas con la herramienta motorizada o con sus instrucciones utilicen la herramienta.** Las herramientas eléctricas en manos de personas no capacitadas para usarlas son peligrosas.
- e) **Dele mantenimiento a las herramientas mecánicas y sus accesorios. Revise si hay desalineación o agarrotamiento de los componentes móviles, roturas en componentes y**

otras condiciones que pudieran afectar el funcionamiento de la herramienta motorizada. Si hay daños, envíe la herramienta motorizada a ser reparada antes de usarla.

Muchos accidentes son causados por el mantenimiento deficiente de las herramientas mecánicas.

- f) **Mantenga las herramientas mecánicas afiladas y limpias.** Las herramientas de corte debidamente mantenidas y afiladas son menos propensas a atascarse y son más fáciles de controlar.
- g) **Utilice la herramienta motorizada, accesorios, brocas, etc. según lo indicado en estas instrucciones, tomando en cuenta las condiciones de trabajo y el tipo de tarea a realizarse.** El uso de una herramienta motorizada para trabajos diferentes al propósito para el cual fue diseñada puede producir una situación peligrosa.
- h) **Mantenga los mangos y las superficies de agarre secos, limpios y sin aceite ni grasa.** Los mangos y las superficies de agarre resbaladizas dificultan la manipulación y el control seguros de la herramienta en situaciones inesperadas.

5.6 Uso y cuidado de la herramienta de baterías

- a) **Recárguela únicamente con el cargador especificado por el fabricante.** Un cargador adecuado para un tipo de baterías puede crear un riesgo de incendios si se lo utiliza con un tipo de baterías diferente.
- b) **Utilice las herramientas motorizadas únicamente con las baterías designadas para ellas.** El uso de otras baterías puede crear riesgos de lesiones o incendio.
- c) **Cuando no se utilizan las baterías, manténgalas alejadas de objetos metálicos, tales como presillas de papel, monedas, llaves, clavos, tornillos u otros objetos pequeños que pudieran formar una conexión entre los terminales de las baterías.** Un cortocircuito entre los terminales de batería puede causar quemaduras o un incendio.
- d) **En condiciones de maltrato, se podría expulsar líquido de la batería; evite el contacto con el mismo. Si ocurre el contacto accidental, lave la zona con agua. Si el líquido**

entra en contacto con los ojos, buscar atención médica. El líquido despedido por la batería puede causar irritación o quemaduras.

- e) **No utilice un paquete o una herramienta de baterías que presente daños o modificaciones.** Las baterías con daños o modificaciones pueden tener un comportamiento impredecible que provoque incendios, explosiones y riesgo de lesiones.
- f) **No exponga un paquete o una herramienta de baterías a fuego ni a temperaturas excesivas.** La exposición al fuego o a temperaturas superiores a los 100 °C puede causar una explosión.
- g) **Siga todas las instrucciones de carga y no cargue el paquete o la herramienta de baterías fuera del intervalo de temperaturas que se especifica en las instrucciones.** La carga indebida o efectuada a temperaturas fuera del intervalo especificado puede dañar la batería y aumentar el riesgo de incendios.

5.7 Mantenimiento

- a) **El mantenimiento deberá efectuarlo únicamente un técnico calificado, utilizando piezas de repuesto genuinas.** Esto asegura que se mantenga la seguridad de la herramienta.
- b) **Nunca intente reparar paquetes de baterías dañadas.** Solo el fabricante o el proveedor de servicios autorizados deben efectuar el mantenimiento de los paquetes de baterías.

5.8 Advertencias de seguridad generales para motosierras

- a) **Mantenga los miembros de su cuerpo alejados de la cadena cuando la motosierra está en marcha. Antes de arrancar la motosierra, asegúrese que la cadena de aserrado no esté tocando ningún objeto.** Un descuido

momentáneo durante el uso de una motosierra puede permitir que su ropa o algún miembro de su cuerpo sea atrapado por la cadena de aserrado.

- b) **Siempre sujete la motosierra con su mano derecha en el mango trasero y su izquierda en el mango delantero.** Si se sujeta la motosierra con las manos en posición invertida, aumenta el riesgo de sufrir lesiones personales, por lo cual esto nunca debe hacerse.
- c) **Sujete la motosierra por los asideros aislados solamente, ya que la cadena de aserrado podría entrar en contacto con cables ocultos.** Si la cadena de aserrado entra en contacto con un cable con corriente, esto podría hacer que los componentes metálicos de la motosierra tengan corriente y den una descarga eléctrica al operador.
- d) **Use gafas protectoras. Se recomienda el uso de equipos protectores adicionales para los oídos, cabeza, manos, piernas y pies.** El equipo protector adecuado reduce las lesiones personales causadas por desperdicios lanzados o por el contacto accidental con la cadena de aserrado.
- e) **No haga funcionar una motosierra en un árbol, sobre una escalera, desde un techo o desde cualquier punto de apoyo inestable.** Esto podría causar lesiones personales graves.
- f) **Siempre mantenga los pies bien apoyados y use la motosierra únicamente cuando está parado sobre una superficie fija, segura y nivelada.** Las superficies resbaladizas o inestables pueden causar la pérdida del equilibrio o del control de la motosierra.
- g) **Cuando se corta una rama que está bajo tensión, esté atento al movimiento repentino de esta.** Cuando se suelta la tensión de las fibras de madera, la rama bajo tensión podría golpear al operador o causar la pérdida del control de la motosierra.
- h) **Tenga sumo cuidado al cortar matorrales y árboles jóvenes.** Los materiales delgados pueden atorar la cadena y la sierra podría contragolpear hacia el operador o causarle la pérdida del equilibrio.
- i) **Transporte la motosierra sujetándola por el mango delantero, con la motosierra parada y la cadena alejada de su cuerpo. Al transportar o almacenar la motosierra,**

siempre colóquela la cubierta de la espada. El manejo adecuado de la motosierra reduce las probabilidades del contacto accidental con la cadena en movimiento.

- j) **Siga las instrucciones para lubricar la máquina, tensar la cadena y cambiar la espada y la cadena.** Una cadena incorrectamente tensada o lubricada podría romperse o aumentar el riesgo de contragolpe.
- k) **Corte madera únicamente. No utilice la motosierra para fines para los cuales no ha sido diseñada. Por ejemplo: no utilice la motosierra para cortar metal, plástico, mampostería o materiales de construcción que no sean de madera.** Si se usa la motosierra para trabajos para los cuales no ha sido diseñada, se podría causar una situación peligrosa.
- l) **No intente talar un árbol hasta comprender claramente todos los procedimientos necesarios.** La caída de un árbol podría ocasionar lesiones graves en el operador o terceros.

5.9 Causas del contragolpe y medidas de prevención

- a) Puede ocurrir un contragolpe (rebote) cuando la nariz o punta de la espada choca contra algún objeto, o cuando la cadena de la sierra queda aprisionada por la madera en la entalladura o ranura de corte.
- b) En algunos casos, el choque de la punta puede causar una reacción inversa repentina, haciendo que la espada salte hacia arriba y hacia atrás contra el operador.
- c) El aprisionamiento de la cadena de la sierra a lo largo de la parte superior de la espada puede empujar la espada rápidamente hacia atrás contra el operador.
- d) Cualquiera de estas dos reacciones puede ocasionar la pérdida del control de la sierra, lo cual puede causar lesiones personales graves al operador. No se confíe exclusivamente en los dispositivos de seguridad incorporados en su motosierra. Como usuario de una motosierra, usted debe tomar varias medidas para evitar accidentes o lesiones durante sus trabajos de corte.

e) El contragolpe es resultado del mal uso de la motosierra o de procedimientos incorrectos de uso, y puede evitarse tomando las precauciones adecuadas, dadas a continuación:

- 1) **Sujete la motosierra con firmeza, con sus pulgares y dedos alrededor de los mangos, ambas manos en la sierra y su cuerpo y brazos en posición tal que le permitan resistir la fuerza de un contragolpe.** La fuerza de un contragolpe puede ser controlada por el operador, si se toman las medidas de precaución correctas. No suelte la motosierra.
- 2) **No se extienda más allá de su alcance ni corte por encima de la altura de sus hombros.** Esto ayuda a evitar el contacto accidental de la punta y permite un mejor control de la motosierra en situaciones inesperadas.
- 3) **Use únicamente las espadas y cadenas de aserrado de repuesto especificadas por el fabricante.** Si se usan espadas o cadenas de aserrado de repuesto incorrectas, se podrían causar la rotura de la cadena o contragolpes.
- 4) **Siga las instrucciones del fabricante para afilar y mantener la cadena de aserrado.** Si se reduce la altura del regulador de profundidad, se aumenta el contragolpe.

6 INSTRUCCIONES IMPORTANTES DE SEGURIDAD

6.1 Uso previsto

ADVERTENCIA

- Esta motosierra está diseñada para cortar árboles de diámetro pequeño y ramas alrededor del hogar. No está diseñada para talar árboles grandes o cortar troncos de

gran diámetro. Si se usa la motosierra para trabajos para los cuales no ha sido diseñada, se podrían causar lesiones o la muerte.

- Corte madera únicamente. Por ejemplo, no utilice la motosierra para cortar metal, plástico, mampostería o materiales de construcción que no sean de madera.
- Use esta motosierra solo para tareas de corte livianas en el hogar o el jardín.
- No la utilice para ningún otro fin. El uso indebido puede causar lesiones personales o daños a la propiedad, incluidos daños en la motosierra.
- Para cortar árboles grandes, troncos o ramas, es posible que se requiera una sierra más potente y rápida con el fin de reducir el riesgo de agarrotamiento, estancamiento u otros riesgos causados por un cambio en las condiciones durante períodos de corte más largos. Esta motosierra a batería no debe utilizarse para cortar árboles y troncos grandes ya que podría perderse el control del objeto de corte y causar lesiones personales graves o la muerte.
 - La motosierra a batería solo tiene capacidad limitada para la tala y el desramado.
 - Antes de comenzar cualquier operación de tala, cargue por completo la batería STIHL AK y asegúrese de que todos los cortes necesarios para talar el árbol se puedan realizar con una única carga.
 - Si no está seguro de si el árbol puede derribarse con una sola carga, seleccione una motosierra más potente para la tarea de corte o consulte a un profesional de extracción de árboles reconocido antes de comenzar con la operación de tala.
 - Antes de comenzar con los procedimientos de tronchado, desramado, poda o tala, asegúrese de que todos los cortes necesarios se puedan completar con la carga restante en la batería STIHL AK.
 - Lea y siga las instrucciones de operación y uso en este manual para conocer las aplicaciones aprobadas y las técnicas de trabajo recomendadas.

- La batería de la serie STIHL AK está diseñada solo para el uso con herramientas eléctricas STIHL compatibles.
- El cargador de la serie STIHL AL está diseñado solo para las baterías de las series STIHL AK y AP.
- El uso inadecuado puede causar lesiones personales o daños a la propiedad.
 - Use la motosierra, la batería y el cargador solo según se describe en este manual.

6.2 Operador

⚠ ADVERTENCIA

- Trabajar con la motosierra puede ser extenuante. El operador debe hallarse en buenas condiciones tanto físicas como mentales. Para reducir el riesgo de lesiones personales causadas por fatiga o pérdida del control:
 - Consulte a su médico antes de usar la motosierra si tiene una afección de salud que pueda agravarse por el trabajo extenuante.
 - No haga funcionar la motosierra si se encuentra bajo la influencia de cualquier sustancia (drogas, alcohol, medicamentos, etc.) que puedan afectar la visión, el equilibrio, la destreza o el juicio.
 - Esté alerta. No haga funcionar la motosierra si está cansado. Tómese un descanso si se siente cansado.
 - No permita que menores utilicen la motosierra.
- El uso prolongado de una motosierra (u otras herramientas eléctricas) que exponen al operador a vibraciones puede causar la enfermedad de dedos muertos (fenómeno de Raynaud) o el síndrome del túnel carpiano. Estas afecciones reducen la capacidad de la mano de sentir y regular la temperatura. Producen entumecimiento y sensaciones de ardor, y también pueden causar daños en los nervios y la circulación, además de necrosis tisular.
- Se desconocen todos los factores que contribuyen a la enfermedad de Raynaud. El clima frío, el consumo de tabaco y las enfermedades o afecciones físicas que afectan los vasos sanguíneos y la circulación de la sangre, además de los niveles altos de vibración y los períodos largos de exposición a vibraciones se mencionan como factores en el desarrollo de la enfermedad de Raynaud.
- Para reducir el riesgo de esta enfermedad y del síndrome de túnel carpiano:
 - Use guantes y mantenga las manos abrigadas.
 - Mantenga la motosierra en buen estado. Una motosierra con un mantenimiento inadecuado o con componentes sueltos tendrá niveles de vibración más altos.
 - Mantenga afilada la cadena de aserrado. Una cadena de aserrado sin filo prolongará el tiempo de corte y, cuando se la presione a través de la madera, se incrementarán las vibraciones transmitidas a las manos.
 - Agarre firmemente los mangos en todo momento, pero no los apriete con fuerza constante y excesiva. Tómese descansos frecuentes.
- Estas precauciones no garantizan que no sufra de la enfermedad de Raynaud o del síndrome de túnel carpiano.
 - Controle atentamente el estado de sus manos y dedos si es un usuario regular.
 - Consulte al médico de inmediato si aparece alguno de los síntomas mencionados anteriormente.
- De acuerdo con los conocimientos actuales de STIHL, el motor eléctrico de la motosierra no debería interferir con marcapasos.
 - Sin embargo, las personas con marcapasos deben consultar a su médico o al fabricante del dispositivo antes de utilizar esta motosierra.

6.3 Equipos de protección personal

⚠ ADVERTENCIA

- Para reducir el riesgo de lesiones personales:
 - Siempre use ropa adecuada y trajes protectores, incluidas gafas protectoras adecuadas.
- Si el cabello, la ropa o los trajes entran en contacto con la cadena de aserrado en movimiento o se enredan en los componentes de la sierra, podrían perderse el control y producirse lesiones cortantes graves. Para reducir el riesgo de lesiones personales graves:



- Use ropa resistente y ajustada que permita una completa libertad de movimiento.
- Use el tipo de monos, pantalones largos o chaparreras que contengan protectores de material resistente a los cortes.

- Use una camisa de manga larga o una chaqueta.
- Evite el uso de chaquetas sueltas, bufandas, corbatas, pantalones acampanados o con vueltas, joyas o cualquier otra vestimenta que pueda engancharse en las ramas, matorrales o la cadena de aserrado en movimiento.
- Ate el cabello por encima del nivel de los hombros antes de comenzar a trabajar.

- Para reducir el riesgo de lesiones oculares:



- Siempre utilice gafas o anteojos protectores bien ajustados con protección lateral resistentes a impactos y que porten designaciones que indiquen que cumplen con la norma ANSI Z87 «+» (para Canadá: CSA Z94).

- Para reducir el riesgo de lesionarse la cara, STIHL recomienda usar también una careta o protector facial adecuado sobre las gafas o anteojos de seguridad.

- Para reducir el riesgo de lesiones en la cabeza debido a las ramas o los objetos encontrados que caen durante el trabajo:
 - Use un casco protector aprobado.
- El ruido de la motosierra puede dañar sus oídos. Aunque este producto accionado a batería es relativamente silencioso, para reducir el riesgo de daño auditivo:
 - Use barreras de sonido (tapones u orejeras).
 - Los operadores regulares deben someterse con frecuencia a un examen de control auditivo.
 - Esté especialmente alerta y atento al usar protección auditiva. Su capacidad para oír gritos, alarmas u otras advertencias sonoras estará restringida.

- Para ayudar a mantener un punto de apoyo seguro y reducir el riesgo de lesiones mientras trabaja:



- Póngase botas gruesas con suela antideslizante. Recomendamos las botas de seguridad con puntera de acero. Nunca use sandalias, ojotas, zapatos que dejen los dedos descubiertos ni calzado de ese tipo.

- Para mejorar el manejo y ayudar a proteger las manos:



- Siempre use guantes gruesos antideslizantes de cuero o de otro material resistente al desgaste para manipular la motosierra o su cadena.



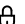


6.4 Motosierra

⚠ ADVERTENCIA

- Para reducir el riesgo de descarga eléctrica:



- No exponga la motosierra a la lluvia, al agua o a la humedad excesiva.
- Guarde la motosierra bajo techo.

- La cadena de aserrado tiene muchos cortadores afilados. Si los cortadores entran en contacto con usted, causará lesiones graves, aunque la cadena esté detenida. Para reducir el riesgo de lesiones:
 - Mantenga las manos, los pies y cualquier otra parte del cuerpo lejos de la cadena de aserrado.
 - Use guantes resistentes al manipular la motosierra o la cadena.
 - No toque nunca con las manos o cualquier parte del cuerpo la cadena de aserrado que está en movimiento.
 - Cubra la espada con una funda antes de transportar o guardar la motosierra para reducir el riesgo de contacto accidental.
 - Las fuerzas reactivas, incluido el contragolpe, pueden ser peligrosas.
 - Preste especial atención a la sección "Contragolpe y otras fuerzas reactivas" de este manual de instrucciones.  7.
 - Esta motosierra accionada por batería está diseñada solo para tareas livianas de mantenimiento en el jardín o el paisaje en el hogar. El uso para otros fines puede aumentar el riesgo de lesiones personales y daños a la propiedad.
 - No use la motosierra para talar árboles grandes o cortar troncos de gran diámetro.
 - Lea y siga las instrucciones de operación en este manual para conocer las aplicaciones aprobadas.  8.
 - Para reducir el riesgo de lesiones personales al operador y a los espectadores:
 - Siempre suelte el gatillo, accione el freno de la cadena moviendo el protector delantero de la mano para  y quite la batería antes del armado, el transporte, el ajuste, la inspección, la limpieza, el mantenimiento o el almacenamiento de la motosierra y cuando no está en uso.
- 
- Si bien es posible conectar ciertos accesorios no autorizados a la motosierra STIHL, su uso puede ser, en la práctica, extremadamente peligroso. Utilice únicamente los accesorios suministrados por STIHL o expresamente autorizados por STIHL para usarse con el modelo específico.
 - Use solo los accesorios suministrados o expresamente aprobados por STIHL.
 - No realice modificaciones de ningún tipo en esta motosierra.
 - Si la motosierra se cae o se expone a fuertes impactos similares a los de una caída:
 - Asegúrese de que no se haya dañado, de que esté en buenas condiciones y de que funcione correctamente antes de seguir con el trabajo.
 - Compruebe que los controles y los dispositivos de seguridad, incluido el freno de la cadena, funcionen correctamente.
 - Revise los LED por mensajes de error,  14.1.2.
 - Compruebe que la batería no se haya dañado. Nunca utilice ni cargue una batería defectuosa, dañada, agrietada, deformada o que pierda líquido.
 - Nunca trabaje con una motosierra o batería dañada o defectuosa. En caso de dudas, pida que el concesionario de servicio de STIHL autorizado la revise.
 - Si la motosierra se daña, no funciona correctamente, se ha dejado al aire libre, se ha expuesto a lluvia o condiciones húmedas o se ha caído en agua u otro líquido, es posible que sus componentes y los dispositivos de seguridad ya no funcionen. Para reducir el riesgo de lesiones personales y daños a la propiedad:
 - Lleve la motosierra a un concesionario de servicio STIHL autorizado para un control antes de continuar utilizándola.
 - Las piezas de repuesto auténticas STIHL están diseñadas específicamente para su modelo de motosierra y satisfacen las necesidades de rendimiento y seguridad.

El uso de piezas no autorizadas o aprobadas por STIHL puede causar lesiones graves o mortales y daños a la propiedad.


- STIHL recomienda que solo se usen piezas de repuesto STIHL idénticas para la reparación o el mantenimiento.

6.5 Uso de la motosierra


6.5.1 Antes de usar

⚠ ADVERTENCIA

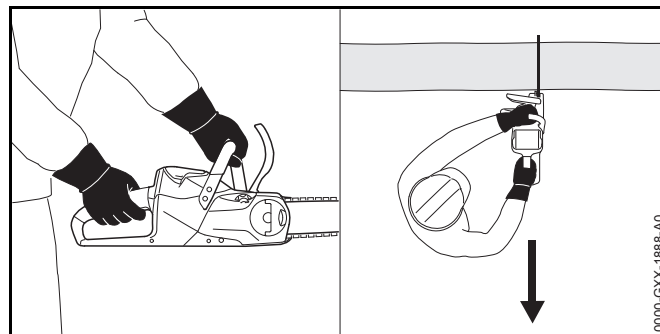
- El uso inadecuado puede causar lesiones personales o daños a la propiedad.
 - Use la motosierra solo como se describe en este manual de instrucciones.
- Para un armado adecuado de la espada y la cadena:
 - Lea y siga las instrucciones de montaje de la espada y la cadena de aserrado. 📖 15.2.1.
- La cadena de aserrado, la espada y el piñón deben coincidir entre sí en cuanto a calibre y paso. Antes del montaje o el reemplazo:
 - Lea la información acerca de las combinaciones de espadas y cadenas de aserrado. 📖 27.
 - Lea y siga las instrucciones cerca de contragolpes y otras fuerzas reactivas. 📖 7.
 - Seleccione la espada más corta que cumpla con sus necesidades de corte. Las espadas más largas agregan peso y pueden ser más difíciles de controlar.
- El tensado adecuado de la motosierra es extremadamente importante para maximizar el rendimiento del corte y reducir el riesgo de lesiones personales causadas por la rotura, el descarrilamiento o las fuerzas reactivas de la cadena:
 - Lea y siga las instrucciones de tensado de la cadena. 📖 15.3.
 - Siempre asegúrese de que la cubierta del piñón de la cadena quede firmemente apretada después de tensar la cadena de aserrado de modo de asegurar la espada. Nunca arranque la motosierra si falta la cubierta del piñón de la cadena o está suelta.
 - Compruebe la tensión de la cadena de aserrado una vez más después de ajustar la cubierta del piñón de la cadena.
 - Después de ajustar la cadena de aserrado, deje que el motor funcione por un minuto o dos; luego, apague el motor y accione el freno de la cadena. Extraiga la batería y vuelva a controlar la tensión de la cadena.
 - Compruebe la tensión de la cadena periódicamente de allí en adelante y en intervalos regulares (solo después de accionar el freno de la cadena y quitar la batería).
 - Nunca corte con una cadena suelta. Si la cadena de aserrado se suelta durante el corte, apague el motor, accione el freno de la cadena y quite la batería de la motosierra antes de ajustar la cadena. Nunca trate de ajustar la cadena de aserrado si la batería está colocada.

- Usar una motosierra que está dañada, mal ajustada o reparada, o que no se armó por completo y de forma segura puede generar un defecto y aumentar el riesgo de lesiones personales graves o la muerte.
 - No maneje nunca una motosierra que esté dañada, mal ajustada o que no fue armada completa y debidamente.
 - Siempre revise que la motosierra esté en buenas condiciones y funcione correctamente antes de empezar a trabajar, en especial el gatillo, el bloqueo del gatillo, el protector de mano delantero, el freno de la cadena y el accesorio de corte.
 - Asegúrese de que el gatillo y el bloqueo del gatillo se muevan libremente y siempre regresen a la posición de bloqueo. El gatillo no puede oprimirse hasta que se pulse el bloqueo del gatillo.
 - Nunca intente modificar ni anular los controles ni los dispositivos de seguridad de ningún modo.
 - Si la sierra o cualquier pieza está dañada o no funciona correctamente, llévelas a un concesionario de servicio STIHL autorizado. No use la sierra hasta que el problema se haya corregido.
- Antes de colocar la batería:
 - Revise si hay corrosión o materias extrañas en los contactos del compartimiento de la batería y manténgalos limpios.
 - Nunca inserte o use una batería defectuosa, dañada, agrietada, deformada o que pierda líquido.
 - Lea y siga las instrucciones cerca de cómo encender la motosierra.  18.1.
- Para reducir el riesgo de lesiones personales graves o la muerte a causa de arranques accidentales:
 - Asegúrese de que el gatillo y el bloqueo del gatillo estén en la posición de apagado al colocar la batería.
 - Nunca sostenga la motosierra con el dedo en el gatillo.
 - Suelte el gatillo y el bloqueo, y accione el freno de la cadena antes de quitar la batería.



- Quite la batería y accione el freno de la cadena antes de armar, transportar, ajustar, inspeccionar, limpiar, reparar o guardar la motosierra y cuando no esté en uso.
- No deje la motosierra desatendida si tiene la batería colocada.
- Nunca guarde la batería en la motosierra.
- Antes de soltar el freno de la cadena y encender la motosierra, realice los siguientes pasos para reducir el riesgo de lesiones personales a causa de las fuerzas reactivas, la pérdida de control o el contacto accidental:
 - Asegúrese de que la espada y la cadena de aserrado estén alejadas de su persona y de las demás obstrucciones y objetos, incluido el suelo.
 - Nunca intente arrancar la motosierra mientras la espada está dentro de una ranura de corte o entalla. Hacerlo podría generar fuerzas reactivas y causar lesiones.
 - Lea y siga las instrucciones cerca de cómo encender la motosierra.  18.2.

6.5.2 Sujeción y control de la motosierra



⚠ ADVERTENCIA

- Para sujetar con firmeza y controlar correctamente la motosierra:
 - Mantenga los mangos limpios y secos en todo momento. Protéjalos de la humedad, el alquitrán, el aceite, la grasa y la resina.

- Para reducir el riesgo de lesiones graves o mortales para el operador o los espectadores debido a la pérdida de control:



- Evite tocar cualquier objeto con el cuadrante superior de la punta de la espada. Podría ocurrir un contragolpe.



- Siempre sujete la motosierra firmemente con ambas manos mientras trabaje.

- Coloque la mano izquierda en el mango delantero y la derecha sobre el mango trasero (ver la ilustración anterior). Los zurdos también deben seguir estas instrucciones.

- Envuelva los dedos firmemente en los mangos, manteniéndolos sujetos entre los dedos índice y pulgar.

- Coloque la motosierra en una posición tal que todas las partes del cuerpo estén lejos del accesorio de corte cuando el motor está funcionando. Párese a la izquierda del corte durante el tronzo, fuera del plano de corte (ver la ilustración anterior).

- Poner la motosierra en funcionamiento con una mano es extremadamente peligroso. La operación con una sola mano hace que sea más difícil resistir y absorber las fuerzas reactivas (rechazo, tirón, contragolpe) sin perder el control de la motosierra. También dificulta la prevención del patinaje o del rebote de la espada y la cadena en una rama o un tronco. Para reducir el riesgo de que el operador o los espectadores sufran lesiones graves o mortales causadas por la pérdida de control:



- Nunca use la motosierra con una sola mano.

- Para reducir el riesgo de que el operador o los espectadores sufran lesiones graves o mortales causadas por la pérdida de control, mantenga siempre un punto de apoyo seguro y el equilibrio:

- No trabaje sobre pasto o terreno mojado.
- Tenga sumo cuidado cuando trabaje en terreno con mucha vegetación, y para evitar tropezarse, siempre esté atento a los obstáculos ocultos, tales como tocones, raíces, piedras, hoyos y zanjas.
- Sea sumamente precavido cuando trabaje en declives o terreno irregular.
- Para obtener un punto de apoyo seguro, quite siempre las ramas caídas, los matorrales y el material cortado. Los troncos recientemente descortezados y otros materiales pueden aumentar el peligro de resbalarse, tropezarse o caerse.
- Proceda con mucho cuidado cuando corte matorrales pequeños, ramas y arbolitos, ya que el material fino puede enredarse en la cadena de aserrado y ser expulsado contra usted o hacer que pierda el equilibrio.

- Para reducir el riesgo de lesionarse por la pérdida del control:



- No trabaje sobre una escalera, sobre un techo, en un árbol o cualquier otro punto de apoyo que no sea seguro.
- Nunca ponga la motosierra en funcionamiento a una altura más arriba de los hombros.

- No trate de alcanzar más lejos de lo debido. Mantenga los pies bien apoyados y equilibrados en todo momento.

- Nunca intente arrancar la motosierra mientras la espada está dentro de una ranura de corte o entalla. Hacerlo podría generar fuerzas reactivas y causar lesiones.
- La púa de tope está diseñada para proporcionar un mayor control de la motosierra durante el corte. Si trabaja sin la púa de tope, la motosierra podría tirarlo bruscamente hacia adelante. Esto podría causar la pérdida de control o, si la espada golpea un objeto, un contragolpe.
 - Para mantener un mejor control de la motosierra, siempre trabaje con la púa de tope.
- Aplicar presión a la motosierra al llegar al extremo del corte puede hacer que la espada y la cadena de aserrado en movimiento salten fuera de la ranura de corte o entalla, se pierda el control de la máquina y esta golpee al operador o algún otro objeto. Para reducir el riesgo de lesiones:
 - Tenga cuidado al acercarse al extremo de un corte.
 - Nunca ejerza presión sobre la motosierra cuando llegue al final del corte.
 - STIHL recomienda que los usuarios que utilizan motosierras por primera vez corten troncos sobre un caballete.

6.5.3 Condiciones de trabajo

▲ ADVERTENCIA

- Ponga la motosierra en funcionamiento solamente en condiciones de buena visibilidad y a la luz del día.
 - Postergue el trabajo si hay mal tiempo, está ventoso, lluvioso o con neblina.
 - Nunca corte cerca de líneas eléctricas.
- La motosierra es una máquina para una sola persona.
 - No deje que otras personas estén en el lugar de trabajo.
 - Apague el motor inmediatamente si se le aproxima alguna persona.

- Para reducir el riesgo de lesiones a los espectadores y usuarios no autorizados:
 - No deje la motosierra desatendida si tiene la batería colocada.
 - Apague la motosierra, accione el freno de la cadena y quite la batería durante los recreos de trabajo y cualquier otro momento en que la motosierra no esté en uso.
- Las chispas que se generan del funcionamiento de la motosierra pueden encender gases, líquidos, vapores, polvos u otros materiales y sustancias combustibles. Para reducir el riesgo de incendio y explosión:
 - No ponga en funcionamiento la motosierra en un lugar donde haya gases, líquidos, vapores, polvos u otros materiales y sustancias combustibles.
 - Lea y siga las recomendaciones emitidas por las autoridades del gobierno (por ejemplo, OSHA; para Canadá: CCOHS) para identificar y evitar los peligros de los gases, líquidos, vapores, polvos u otros materiales y sustancias combustibles.
- Si una cadena de aserrado en movimiento chocara contra una roca u otro objeto macizo, se podrían despedir chispas capaces de encender materiales inflamables en determinadas circunstancias. Entre los materiales inflamables se incluyen la vegetación y arbustos secos, en particular cuando el estado del tiempo es caliente y seco.
 - Si existe un riesgo de incendio leve o grave, no use la motosierra alrededor de materiales inflamables, ni para cortar vegetación o arbustos secos.
 - Comuníquese con las autoridades locales de control de incendios o con el servicio forestal de los EE. UU. (para Canadá: Servicio Forestal de Canadá) si tiene alguna duda en cuanto a las condiciones de la vegetación y el estado del tiempo para el uso de una motosierra.
- El uso de esta motosierra (incluido el afilado de la cadena de aserrado) puede generar polvo, vapores y otras sustancias que contengan productos químicos

considerados como causantes de enfermedades respiratorias, cáncer, defectos de nacimiento u otra toxicidad reproductora.

- Consulte a los organismos gubernamentales como EPA, OSHA, CARB y NIOSH (para Canadá: ECCC, CCOHS y PHAC) y otras fuentes autorizadas acerca de los materiales peligrosos si no está familiarizado con los riesgos asociados con las sustancias particulares que corta o con las que trabaja.
- La inhalación de ciertos polvos, especialmente los polvos orgánicos, tales como el moho o polen, puede provocar reacciones alérgicas o asmáticas en las personas sensibles. La inhalación repetida o de grandes cantidades de polvo u otros contaminantes del aire, especialmente los de partículas pequeñas, puede causar enfermedades respiratorias o de otro tipo. Esto incluye el polvo, especialmente de las maderas duras, pero también de algunas maderas blandas, tales como el cedro rojo occidental.
 - Controle el polvo (tal como el aserrín), los vapores (tales como la neblina de aceite causada por la lubricación de la cadena) en su punto de origen, cuando sea posible.
 - Trabaje siempre con una cadena de aserrado correctamente afilada, que produzca virutas de madera en vez de polvo fino.
 - En la medida de lo posible, ponga la motosierra en funcionamiento de modo que el viento o el proceso de operación dirijan cualquier polvo, vapor u otras partículas generados por la motosierra en dirección contraria al operador.
 - Cuando el polvo inhalable u otras partículas no se pueden mantener a nivel del suelo o cerca de este, use siempre un respirador aprobado y clasificado adecuadamente, y siga las recomendaciones de las autoridades gubernamentales (por ejemplo, OSHA/NIOSH/MSHA; para Canadá: CCOHS/PHAC/MSHA) y las asociaciones ocupacionales y comerciales.
- Si la vegetación que corta o el terreno están cubiertos por una sustancia química, como pesticida o herbicida:
 - Lea y siga las instrucciones y advertencias que acompañan a la sustancia que cubre la vegetación o el terreno.
- La aspiración del polvo de asbesto es peligrosa y puede causar lesiones graves o mortales, enfermedades de las vías respiratorias o cáncer, incluido el mesotelioma. El uso y la eliminación de los productos que contienen asbesto están estrictamente reglamentados por OSHA y EPA (para Canadá: CCOHS y ECCC).
 - No utilice la motosierra para cortar ni alterar productos de asbesto o que contengan asbesto.
 - Detenga el trabajo inmediatamente y póngase en contacto con las autoridades locales y estatales pertinentes o EPA (para Canadá: ECCC), su empleador o el representante local de OSHA (para Canadá: CCOHS) si tiene razones para creer que puede estar ante la presencia de asbestos.
- El contacto frecuente con aceite de desecho puede causar cáncer de piel y su uso es dañino para el medioambiente.
 - No use aceite de desecho para lubricar la espada y la cadena de la motosierra STIHL.

6.5.4 Instrucciones de manejo

⚠ ADVERTENCIA

- Para reducir el riesgo de lesiones personales graves a causa de arranques accidentales:
 - No toque la cadena de aserrado con la mano u otra parte del cuerpo cuando la batería está colocada, aunque la cadena no esté girando.
- La cadena sigue girando por un tiempo breve después que se suelta el gatillo de aceleración.
 - Espere a que la cadena se detenga y accione el freno de la cadena antes de guardar la motosierra.
- En caso de una emergencia:
 - Apague el motor inmediatamente, accione el freno de la cadena y quite la batería.
- Su motosierra está equipada con un gancho retenedor para la cadena. Está diseñado para reducir el riesgo de lesiones personales en el caso de que la cadena se desprenda o corte.
 - Nunca ponga la motosierra en funcionamiento con un retenedor de la cadena dañado o faltante.
- El contacto con objetos extraños durante el serrado puede hacer que la cadena se rompa o salga expulsada, o hacer que la motosierra impulse escombros peligrosos o se genere un contragolpe en la dirección del operador. Para reducir el riesgo de lesiones personales graves o fatales causadas por el contacto con objetos extraños:
 - Inspeccione el árbol, el tronco o la rama antes de cortarlos.
 - Quite los objetos extraños para asegurarse de que la madera no tenga materiales como clavos, púas, cables o alambres.
 - Antes de comenzar un corte, asegúrese de que pueda completarse sin tocar los objetos o las estructuras que se encuentran alrededor, como vallas o mampostería.
- Si la cadena de aserrado en movimiento chocara contra una roca u otro objeto macizo, se podrían despedir chispas capaces de encender materiales inflamables en

determinadas circunstancias. Entre los materiales inflamables se incluyen la vegetación y arbustos secos, en particular cuando el estado del tiempo es caliente y seco.

- No utilice la motosierra alrededor de materiales inflamables ni de vegetación o arbustos, donde exista riesgo de incendio leve o grave.
- Comuníquese con las autoridades locales de control de incendios o con el Servicio forestal de los EE. UU. si tiene alguna duda en cuanto a las condiciones de la vegetación y el estado del tiempo para el uso de una motosierra.
- Revise la cadena de aserrado y la espada frecuente y periódicamente durante el trabajo, o inmediatamente si hay cambios importantes en las características de corte:
 - Apague el motor, accione el freno de la cadena y quite la batería.
 - Compruebe el estado y la tensión de la cadena de aserrado. Revise si la cadena o la espada están dañadas.
 - Si esto persiste, detenga el trabajo inmediatamente y lleve la motosierra a un concesionario de servicio STIHL autorizado para la inspección, la reparación o el mantenimiento.

⚠ PELIGRO

- Para reducir el riesgo de electrocución:



- Nunca utilice esta motosierra cerca de alambres o cables que puedan tener corriente eléctrica.
- Nunca corte cerca de líneas eléctricas.
- No confíe en el aislamiento de la motosierra contra descargas eléctricas.

7 Contragolpe y otras fuerzas reactivas

7.1 Fuerzas reactivas

⚠ ADVERTENCIA

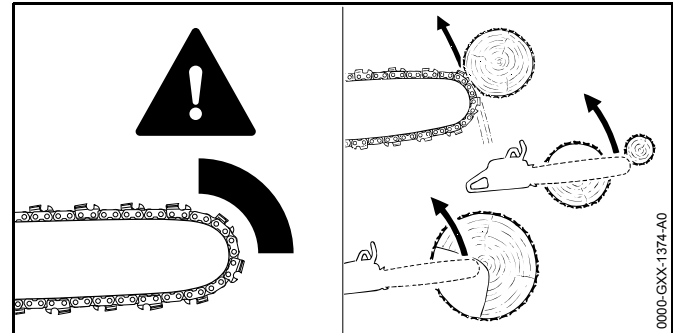
- Las fuerzas reactivas pueden ocurrir en cualquier momento mientras la cadena está girando. Las fuerzas reactivas pueden causar lesiones personales graves o la muerte.
- Las grandes fuerzas utilizadas para cortar madera pueden cambiar de sentido y actuar contra el operador. Si la cadena de aserrado en movimiento se detiene repentinamente al tocar un objeto sólido, como un tronco o rama, o bien queda aprisionada, las fuerzas reactivas podrían generarse de inmediato.
- Esas fuerzas reactivas pueden causar la pérdida del control, lo que a su vez puede causar lesiones graves o mortales.
 - Una buena comprensión de las causas de estas fuerzas reactivas puede ayudarle a evitar el elemento de sorpresa y la pérdida del control. Las sorpresas repentinas contribuyen a los accidentes.

Las fuerzas reactivas más comunes son:

- Contragolpe
- Tirón
- Rechazo

7.2 Contragolpe

7.2.1 Contragolpe



⚠ ADVERTENCIA



El contragolpe puede ocurrir cuando la cadena en movimiento cerca del cuadrante superior de la punta de la espada toca un objeto sólido o queda aprisionada.

- Cuando esto sucede, la energía que impulsa a la cadena puede crear una fuerza que mueve a la motosierra en sentido opuesto al movimiento de la cadena, en el punto en el cual ésta reduce su velocidad o se detiene. Esto puede lanzar la espada hacia arriba y hacia atrás de manera instantánea, mayormente en el mismo plano de la espada, posiblemente causando lesiones graves o mortales al operador.
- Puede ocurrir un contragolpe, por ejemplo, cuando la cadena cerca del cuadrante superior de la punta de la espada entre en contacto con la madera o quede aprisionada al cortar una rama, o se la utilice incorrectamente al comenzar a penetrar o avanzar en el corte.
- Cuanto mayor la fuerza de la reacción de rebote, tanto más difícil para el operador controlar la sierra. Son muchos los factores que afectan la producción de contragolpes, así como su intensidad. Estos incluyen la velocidad de la cadena de aserrado, la velocidad a la que

la espada y la cadena tocan el objeto, el ángulo de contacto, el estado de la cadena y con qué velocidad la cadena se ralentiza o detiene, entre otros factores.

- El tipo de espada y de cadena de la sierra es un factor importante en la ocurrencia y la fuerza del contragolpe. Algunos tipos de cadenas y espadas de STIHL están diseñados para reducir las fuerzas de contragolpe.
- STIHL recomienda el uso de espadas de contragolpe reducido y cadenas de bajo contragolpe.

7.2.2 Normas para el contragolpe de las motosierras

Se aplican las normas siguientes con respecto al contragolpe:

- § 19.108 de UL 60745-2-13
- § 5.11 de ANSI/OPEI B175.1
- para Canadá: CSA Z62.3

Estas normas, denominadas en lo sucesivo "normas sobre contragolpe de las motosierras" en este capítulo, establecen determinados criterios de desempeño y diseño relacionados con el contragolpe de la motosierra.

Para cumplir con las normas aplicadas al contragolpe de las motosierras eléctricas:

- Deben tener, en su condición original, un ángulo de contragolpe de 45° calculado por computadora cuando están equipadas con ciertos accesorios de corte.
- Deben tener por lo menos dos dispositivos para reducir el riesgo de lesiones por contragolpe, tales como un freno de la cadena, cadena de bajo contragolpe, espada de contragolpe reducido, etc.

Los ángulos calculados por computadora para las motosierras eléctricas se miden aplicando un programa informático para probar los resultados de una máquina experimental de contragolpes.

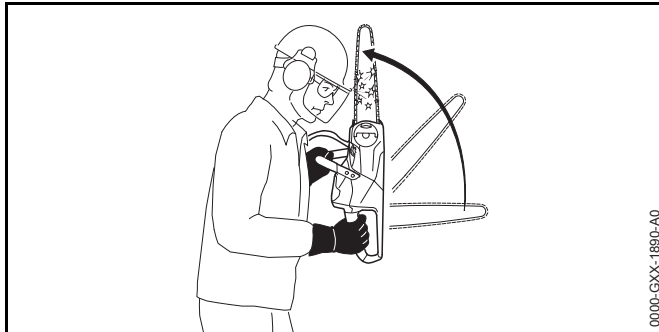
⚠ ADVERTENCIA

- El cumplimiento de las normas de contragolpe de la motosierra no implica que la espada y la cadena de aserrado rotarán a un máximo de 45° en un contragolpe real. Los ángulos calculados por computadora indicados en las normas de la motosierra pueden no tener ninguna relación con los ángulos reales de rotación de contragolpe de la espada que pueden ocurrir en una situación real de corte. Los dispositivos diseñados para reducir el riesgo de lesiones causadas por contragolpes pueden perder algo de su eficiencia cuando no están en sus condiciones originales, especialmente si no se han mantenido correctamente.
 - Lea y siga las precauciones e instrucciones de seguridad en este manual.
 - Al trabajar, siempre coloque la motosierra de modo que el cuerpo esté alejado del accesorio de corte y fuera del plano de corte.
 - Siga las instrucciones de mantenimiento y servicio en este manual.
- Para que la motosierra cumpla con las normas de contragolpe de la motosierra, use solo los siguientes accesorios de corte:
 - Combinaciones de espada y cadena compatibles enumeradas en "Combinaciones de espadas y cadenas de aserrado" 27".
 - Otras combinaciones de espadas y cadenas de aserrado de repuesto, que cumplan expresamente con las normas que rigen su uso con la motosierra.
 - Cadena de aserrado de repuesto designada como "cadena de aserrado de bajo contragolpe".

7.2.3 Dispositivos para reducir el riesgo de lesiones por contragolpe

El freno rápido de la cadena Quickstop de STIHL y las espadas de contragolpe reducido y las cadenas de aserrado de bajo contragolpe de etiqueta verde de STIHL están diseñados para reducir el riesgo de lesiones causadas por contragolpe.

1. Freno rápido de la cadena Quickstop de STIHL



En una máquina debidamente mantenida, hay dos mecanismos que activan el freno de la cadena:

- Activación manual: Si se produce un contragolpe, la motosierra se moverá hacia arriba en dirección al operador, en un movimiento de rotación alrededor del mango delantero. El freno se aplica cuando la mano izquierda toca el protector delantero, que es la palanca de activación del freno, y lo empuja hacia delante.
- Activación por inercia: Todas las motosierras de STIHL están equipadas con un freno de cadena Quickstop de activación por inercia. Un impulso de contragolpe lo suficientemente fuerte bastará para aplicar el freno, incluso sin tocar el protector delantero de la mano.

⚠ ADVERTENCIA

- Para reducir el riesgo de lesiones por contragolpe:
 - Nunca use una motosierra si el freno de la cadena no funciona correctamente.
 - Si tiene alguna duda, lleve la sierra a un concesionario de servicio STIHL autorizado para la inspección o la reparación.
 - No use la sierra hasta que el problema se haya corregido.
- En una situación de contragolpe, el protector delantero de la mano ayuda a proteger la mano izquierda del contacto con la cadena de aserrado. Al quitar el protector delantero de la mano de la motosierra equipada con un freno de

cadena Quickstop, se reducirá la protección y se soltará el freno de cadena, lo que aumenta el riesgo de lesiones por contragolpe.

- Nunca use la motosierra si el protector delantero de la mano no funciona correctamente.
 - Nunca intente quitar, modificar o desactivar el protector delantero de la mano o cualquier otro componente del freno de la cadena.
- Ni el freno Quickstop ni ningún otro dispositivo de freno de la cadena impide el contragolpe. Estos dispositivos están diseñados para reducir el riesgo de lesiones por contragolpe, si se activan, en ciertas situaciones de contragolpe. Para reducir el riesgo de lesiones personales graves o la muerte a causa de un contragolpe:
 - Siempre siga las instrucciones de este manual y la técnica de buen trabajo. Por ejemplo, posicione los brazos lejos del accesorio de corte cuando el motor esté en funcionamiento. Párese a la izquierda del corte durante el tronzo, fuera del plano de corte (consulte el capítulo "Sujeción y control de la motosierra"). 6.5.2.
 - Mantenga la máxima distancia posible, nunca menos de 45 grados, entre la espada y su cuerpo para asegurarse de que el freno Quickstop tenga tiempo suficiente para activar y detener la cadena de aserrado antes de entrar en contacto con cualquier parte de su cuerpo.
 - Siga las otras advertencias que se proporcionan en este capítulo. 8.
 - Si el freno de cadena no recibe un mantenimiento adecuado, la cadena de aserrado podría demorar más en detenerse después de la activación o no activarse en absoluto. Para que el freno Quickstop reduzca el riesgo de lesiones por contragolpe, debe estar bien cuidado y en buenas condiciones de funcionamiento.
 - Lea y siga las instrucciones acerca de cómo accionar y soltar el freno de la cadena, 16y su mantenimiento y reparación. 16.3.

2. Cadena de aserrado de bajo contragolpe y espadas de contragolpe reducido

STIHL ofrece una variedad de espadas y cadenas de aserrado. Las espadas de contragolpe reducido y las cadenas de aserrado de bajo contragolpe de STIHL están diseñadas para reducir el riesgo de lesiones causadas por contragolpe. Otras cadenas de aserrado están diseñadas para lograr un alto rendimiento de corte y facilitar el afilado, pero son más propensas a contragolpes y pueden generar contragolpes con más energía, lo que dificulta el control de la motosierra.

STIHL desarrolló un sistema de codificación por color para ayudar a identificar las espadas de contragolpe reducido y las cadenas de aserrado de bajo contragolpe.

- Los accesorios de corte con etiquetas verdes en el empaquetado están diseñados para reducir el riesgo de lesiones por contragolpe.
- Al combinar motosierras dotadas de etiquetas verdes con espadas y cadenas con etiquetas verdes, se cumple con el requerimiento de ángulo de contragolpe calculado que se estipula en las normas que rigen a las motosierras, cuando los productos se encuentran en su condición original.
- Los productos con etiquetas amarillas son para los usuarios que tienen necesidades de corte extraordinarias, y que poseen experiencia y capacitación especializada para hacer frente a los contragolpes.

STIHL recomienda el uso de sus espadas de contragolpe reducido con etiqueta verde, cadenas de aserrado de bajo contragolpe con etiqueta verde y motosierras equipadas con freno de cadena Quickstop STIHL, tanto para los usuarios más experimentados como para aquellos que no poseen experiencia en el uso de motosierras.

STIHL recomienda espadas y cadenas con etiqueta verde para todas las motosierras. Para ver detalles, lea el folleto "Información sobre espadas y cadenas de STIHL".

Es posible que, después de la publicación de esta información, se desarrollen nuevas combinaciones de espadas y cadenas que también cumplan con las normas al ser utilizadas con ciertas motosierras.

⚠ ADVERTENCIA


- El uso de las combinaciones de espadas y cadenas de aserrado no mencionadas en el folleto «Información sobre espadas y cadenas de STIHL» (u otras combinaciones que no cumplen con las normas de motosierras) puede aumentar las fuerzas de contragolpe y la predisposición a contragolpes, y aumentar el riesgo de lesiones por contragolpe.
 - Solicite a su concesionario STIHL autorizado que le proporcione la combinación apropiada de espada y cadena de aserrado para su motosierra, con el fin de reducir el riesgo de lesiones por contragolpe.
- Las espadas de contragolpe reducido y las cadenas de aserrado de bajo contragolpe no impiden el contragolpe, sino que están diseñadas para reducir el riesgo de sufrir lesiones por ese factor.
 - STIHL recomienda espadas y cadenas de aserrado con etiqueta verde para todas las motosierras y todos los usuarios.
- Aunque la sierra esté equipada con un freno Quickstop, una espada de contragolpe reducido o una cadena de aserrado de bajo contragolpe, el riesgo de que se produzcan lesiones por contragolpe no desaparecerá.
 - Respete todas las advertencias de seguridad que se mencionan en este manual para evitar situaciones de contragolpe.

a. Cadena de aserrado de bajo contragolpe

Algunos tipos de cadenas de aserrado tienen componentes especialmente diseñados para reducir la predisposición a contragolpe y la fuerza de contragolpe, si ocurre. STIHL ha desarrollado una cadena de aserrado de bajo contragolpe para su motosierra.

Una "cadena de aserrado de bajo contragolpe" es aquella que satisface los requisitos de rendimiento de la norma ANSI/OPEI B175.1 (para Canadá: CSA Z62.3) cuando se prueba en conformidad con las disposiciones especificadas en ANSI/OPEI B175.1 (para Canadá: CSA Z62.3).


▲ ADVERTENCIA

- Algunas cadenas de aserrado de bajo contragolpe no han sido probadas con todas las combinaciones de motosierra y espada. Existen posibles combinaciones de motosierra y espada con las que se pueden usar cadenas de aserrado de bajo contragolpe, que no han sido específicamente certificadas como satisfactorias con respecto al ángulo de contragolpe de 45° calculado por computadora que estipula la norma sobre motosierras.
 - STIHL recomienda espadas y cadenas de aserrado con etiqueta verde para todas las motosierras y todos los usuarios.
 - Consulte el folleto "Información sobre espadas y cadenas de STIHL" para conocer las combinaciones de espadas/cadenas de aserrado adecuadas.
 - Solicite a su concesionario STIHL autorizado que le proporcione la combinación apropiada de espada y cadena de aserrado para su motosierra, con el fin de reducir el riesgo de lesiones por contragolpe.
- Una cadena de aserrado desafilada o mal afilada puede reducir o anular la efectividad de las características de diseño destinadas a reducir la predisposición a contragolpes o la energía de estos. Una reducción o afilado incorrectos de los calibradores de profundidad o la alteración de la forma de las cuchillas puede aumentar el riesgo y la energía de contragolpes.
 - Siempre corte con una cadena bien afilada.
 - Lea y siga las instrucciones acerca de cómo afilar la cadena de aserrado.  24.4.
- Toda motosierra equipada con una guía en forma de arco es potencialmente una herramienta muy peligrosa. El riesgo de contragolpe aumenta con una guía en forma de arco debido al aumento del área de contacto del contragolpe y a que el diseño de las guías coloca la parte superior de la espada más cerca del cuerpo del operador. El uso de una guía en forma de arco con una cadena de aserrado de bajo contragolpe no reducirá significativamente el riesgo de lesiones por contragolpe.
 - Nunca instale una guía en forma de arco en ninguna de las motosierras de STIHL.

b. Espadas de contragolpe reducido

Las espadas de contragolpe reducido de STIHL con etiqueta verde están diseñadas para reducir el riesgo de lesiones por contragolpe cuando se las utiliza con las cadenas de aserrado de bajo contragolpe de STIHL con etiqueta verde.

▲ ADVERTENCIA

- Cuando se usan con otras cadenas de aserrado más agresivas, estas espadas pueden ser menos eficaces para reducir el contragolpe.
 - STIHL recomienda espadas y cadenas de aserrado con etiqueta verde para todas las motosierras y todos los usuarios.
- Para lograr un equilibrio adecuado y cumplir con las normas de motosierras:
 - Use solo las longitudes de espada que se mencionan en este manual.  27.

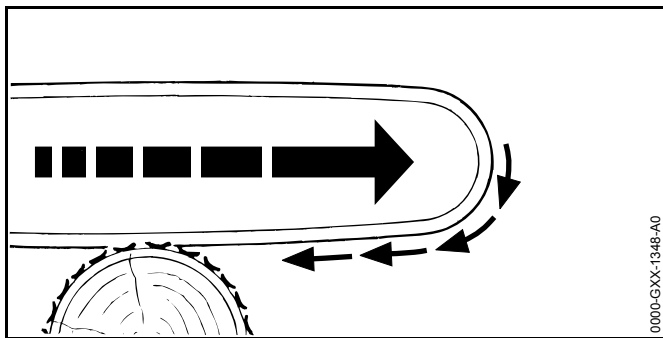
7.2.4 Para evitar el contragolpe

La mejor protección contra lesiones personales como resultado de un contragolpe es evitar las situaciones de contragolpe:

- 1) Sostenga la motosierra firmemente y con ambas manos, y mantenga un agarre seguro con la mano derecha en el mango trasero y la mano izquierda en el mango delantero. Agarre firmemente, envolviendo con los pulgares y los otros dedos los mangos de la motosierra. No la suelte.
- 2) Cerciórese de que la zona donde está cortando no tenga ningún obstáculo.
- 3) Sea consciente de la ubicación de la punta de la espada en todo momento. Nunca deje que la punta de la espada haga contacto accidentalmente con ningún objeto. No corte ramas con la punta de la espada. Preste especial atención al trabajar cerca de vallas de alambre y al cortar ramas pequeñas y duras, matorrales pequeños y arbolitos que puedan quedar enredados fácilmente en la cadena de aserrado.
- 4) No trate de llegar más lejos de lo debido.

- 5) No corte a una altura superior a la de los hombros.
- 6) Empiece a cortar y continúe trabajando a máxima aceleración.
- 7) Corte solamente un tronco a la vez.
- 8) Tenga sumo cuidado cuando vuelva a entrar a un corte previamente iniciado.
- 9) No intente cortar por penetración de la sierra si no tiene experiencia en ese tipo de corte.
- 10) Esté atento al desplazamiento del tronco o a la intervención de otras fuerzas que puedan causar el cierre del corte y el aprisionamiento de la cadena de aserrado.
- 11) Cuide bien la cadena de aserrado. Siempre corte con una cadena de aserrado bien afilada y correctamente tensada.
- 12) Sitúese a un lado de la trayectoria de corte de la motosierra.
- 13) Use únicamente las espadas y cadenas de repuesto especificadas por STIHL, o unas equivalentes.

7.3 Tirón



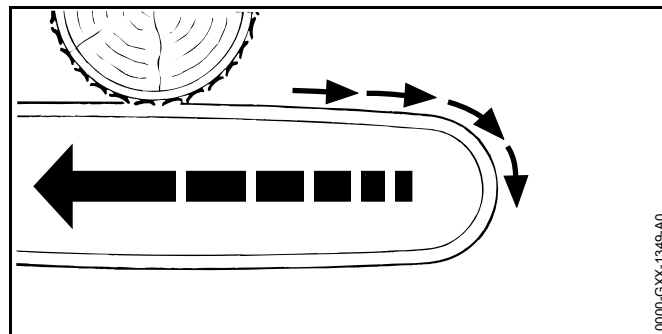
⚠ ADVERTENCIA

- El tirón se produce cuando la cadena de aserrado en la parte inferior de la espada se detiene repentinamente o reduce la velocidad significativamente por estar aprisionada, quedar atrapada o entrar en contacto con algún objeto extraño en la madera. La reacción de la

cadena de aserrado puede hacer que la motosierra se mueva hacia atrás y que el operador pierda el control, lo cual, a su vez, podría ocasionar lesiones graves o mortales. Si la punta entra en contacto con un objeto, puede producirse un contragolpe.

- El tirón suele producirse cuando la púa de tope de la motosierra no está firmemente sujeta contra el árbol o la rama, y cuando la cadena de aserrado no gira a velocidad máxima antes de hacer contacto con la madera.
- Para reducir el riesgo de tirón:
 - Corte con una cadena afilada y con la tensión adecuada.
 - Siempre empiece el corte con la cadena de aserrado girando a velocidad máxima y con la púa de tope en contacto con la madera.
 - Use cuñas para abrir la entalla o el corte, donde sea posible.
 - Tenga sumo cuidado al cortar arbolitos y matorrales pequeños que puedan enredarse fácilmente en la cadena de aserrado, rebotar contra usted o hacerle perder el equilibrio.

7.4 Rechazo



⚠ ADVERTENCIA

- El rechazo se produce cuando la cadena de aserrado en la parte superior de la espada se detiene de repente o reduce la velocidad significativamente por estar

aprisionada, quedar atrapada o entrar en contacto con algún objeto extraño en la madera. La reacción de la cadena de aserrado puede hacer que la motosierra se mueva rápidamente hacia atrás en dirección al operador, y podría causar la pérdida de control de la motosierra, lo cual, a su vez, podría ocasionar lesiones graves o mortales.

- El rechazo frecuentemente ocurre cuando se utiliza la parte superior de la espada para hacer los cortes.
- Para reducir el riesgo de rechazo:
 - Esté atento a las fuerzas o situaciones que puedan permitir que el material se atasque o aprisione en la parte superior de la cadena de aserrado.
 - No corte más de un tronco a la vez.
 - No tuerza la motosierra cuando retire la espada de un corte por debajo, porque la cadena puede quedar aprisionada o atascarse.
 - Corte con una cadena afilada y con la tensión adecuada.

8 Técnicas adecuadas para el tronzado, el desramado, la poda y la tala básicos

8.1 Usos previstos

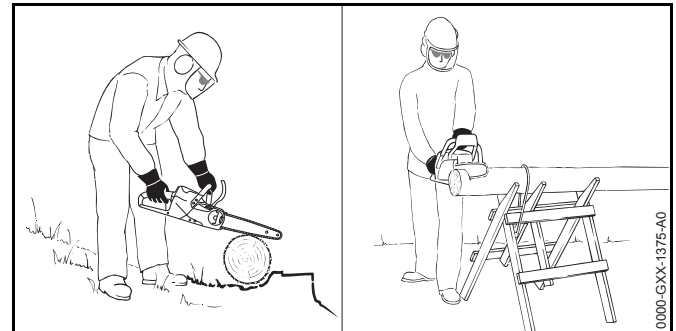
▲ ADVERTENCIA

- Esta motosierra no está diseñada para talar árboles grandes o cortar troncos de gran diámetro.
- Para cortar árboles grandes, troncos o ramas, es posible que se requiera una sierra más grande, potente y rápida para reducir el riesgo de agarrotamiento, estancamiento u otros riesgos causados por un cambio en las condiciones durante períodos de corte más largos. La interrupción de las velocidades de corte o una pérdida de potencia durante la tala o el desramado puede hacer que pierda la capacidad de controlar la caída del árbol o de la rama y causar lesiones personales graves o fatales.

- Antes de comenzar cualquier operación de tronzado, desramado, poda y tala, cargue por completo la batería STIHL AK y asegúrese de que todos los cortes necesarios para talar el árbol se puedan realizar con una única carga.
 - Cargue por completo la batería STIHL AK antes de comenzar a trabajar.
 - Asegúrese de que todos los cortes de tala y desramado se puedan realizar con la carga existente antes de comenzar con los cortes de tronzado, desramado, poda y tala.
 - Si no está seguro de que el árbol pueda derribarse o de que la rama pueda cortarse con la carga restante, use una motosierra más potente y consulte a un profesional en extracción de árboles antes de comenzar a trabajar.
- Coloque la motosierra en una posición tal que el cuerpo esté lejos del accesorio de corte cuando el motor está funcionando. Párese a la izquierda del corte durante el tronzado, fuera del plano de corte.

8.2 Tronzado

El tronzado consiste en cortar un tronco en secciones.

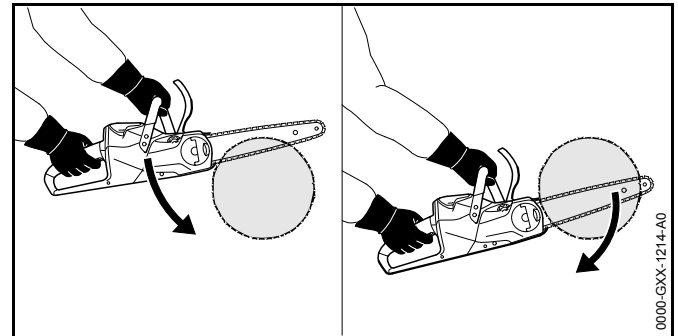


⚠ ADVERTENCIA

- Tenga cuidado con los troncos que giran. Estos pueden causar lesiones personales graves o la muerte. Para prevenir que un tronco gire durante el tronzado:
 - Controle que el tronco esté seguro y no gire cuesta abajo antes de comenzar el corte. De ser necesario, use cuñas, piñones o calzas resistentes.
 - Si se encuentra en una ladera, sitúese siempre cuesta arriba del tronco.
 - Nunca se pare sobre el tronco.
- Para reducir el riesgo de contragolpes causados por el contacto con la punta de la espada y otros troncos o ramas:
 - Corte solamente un tronco a la vez.
 - No corte los troncos en una pila.
- Al cortar madera rota, las astillas afiladas pueden atraparse y salir lanzadas hacia el operador o los espectadores.
 - Tenga cuidado al cortar madera rota y use siempre equipos protectores personales y trajes de protección adecuados, incluidas gafas.
 - Mantenga a los espectadores fuera de la zona de trabajo.
- Al cortar troncos más pequeños, asegúrese de que el tronco esté apoyado correctamente para reducir el riesgo de lesiones personales a causa de la pérdida de control de la motosierra o del movimiento del tronco. Los troncos pequeños pueden moverse al entrar en contacto con los dientes de la cadena de aserrado:
 - Coloque los troncos en soportes con forma de V, en la parte superior del caballete, cuando sea posible.
 - No permita que otra persona sujete el tronco.
 - No estabilice nunca el tronco con las piernas o pies.

- No controlar la sierra en la parte inferior del corte de tronzado puede causar lesiones personales graves o la muerte.
 - Prepare la sierra para que salga de la parte inferior del corte al reducir la fuerza de alimentación que ejerce sobre esta.
 - Mitigue el peso de la motosierra de modo que la espada y la cadena no salgan expulsadas hacia la parte inferior del cuerpo y las piernas.

Durante el tronzado:



- ▶ Coloque la púa de tope de la sierra contra el tronco y úsela como punto de apoyo.
- ▶ Vuelva a colocar continuamente la púa de tope mientras empuja la espada por completo hacia el tronco.

8.3 Desrame

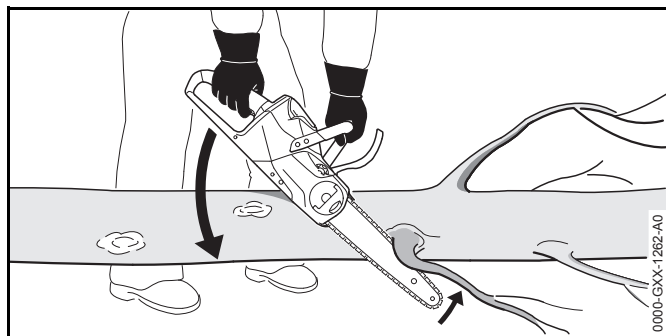
El desrame consiste en cortar las ramas de un árbol caído.

⚠ ADVERTENCIA

- Para prevenir que un tronco gire durante el desramado:
 - Comience el desramado dejando las ramas en la parte inferior y en declive del tronco para mantenerlo por encima del suelo.
 - Estabilice el tronco con piñones, cuñas o calzas resistentes, de ser necesario.
 - Nunca se pare en un tronco durante el desramado.

- Hay un mayor riesgo de contragolpe durante las operaciones de desramado, ya que las ramas, las hojas, los tallos y otros materiales se pueden enredar en las cuchillas en el cuadrante superior de la punta de la espada y hacer que la cadena reduzca la velocidad o se detenga de repente.
 - No use la punta de la espada para cortar ramas.
 - Sea precavido y evite tocar el tronco, el suelo, las ramas u hojarasca con la punta de la espada.
- Cuando corte de abajo hacia arriba las ramas que están en el aire, la sierra puede quedar aprisionada o la rama puede caerse, golpear al operador o a la motosierra y causar la pérdida del control.
 - Si la espada o la cadena quedan aprisionadas, apague el motor, active el freno de la cadena y quite la batería de la sierra antes de comenzar a retirar la sierra del corte, con cuidado de que la rama no se quiebre o suelte de repente.
- Las ramas o los troncos bajo tensión (pértigas de salto) pueden rebotar hacia usted con gran fuerza y golpearlo o hacerlo perder el control de la sierra, lo que podría causar lesiones graves o fatales.
 - Sea precavido cuando corte ramas o troncos que están bajo tensión.
 - Lea y siga las advertencias e instrucciones acerca de cómo cortar troncos bajo tensión. 📖 8.5.

Durante el desramado:



- ▶ Apoye la motosierra sobre el tronco.

- ▶ Párese en el lado del tronco opuesto a la rama que se debe cortar si es seguro.
- ▶ Empuje la espada a toda velocidad con un movimiento en eje hacia la rama.
- ▶ Corte la rama con el lado superior o inferior de la espada, apartando la punta de la espada del tronco, el suelo, las ramas u hojarasca.

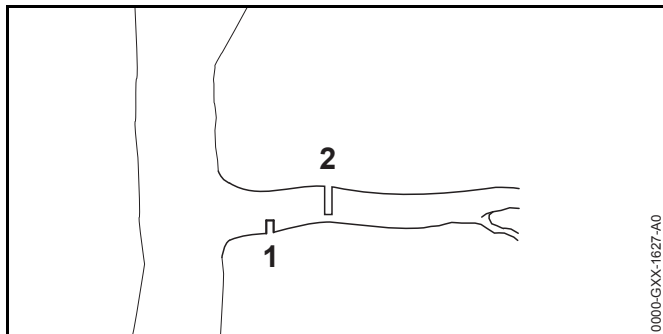
8.4 Poda

La poda consiste en quitar de manera selectiva las ramas de un árbol en pie.

⚠ ADVERTENCIA

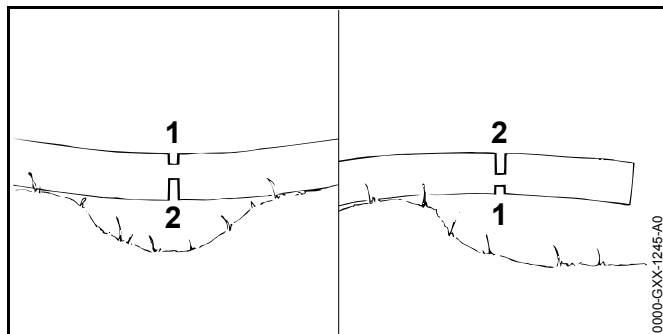
- Para reducir el riesgo de lesionarse por la pérdida del control:
 - No use la motosierra con una sola mano.
 - No trabaje sobre una escalera, sobre un techo, en un árbol o cualquier otro punto de apoyo que no sea seguro.
 - Nunca use la motosierra a una altura más arriba de los hombros o por encima suyo.
 - No trate de alcanzar más lejos de lo debido.
- Para reducir el riesgo de lesiones:
 - Nunca se pare directamente debajo de la rama que está cortando.
 - Esté atento a la caída de las ramas. Tan pronto como la rama empieza a caer, apártese y guarde una distancia adecuada. Una rama puede rebotar hacia usted después de haber caído al suelo.
 - Antes de comenzar a trabajar, quite las ramas y los arbustos del área para reducir el riesgo de tropezarse y perder el control de la motosierra.

Para cortar las ramas de un árbol en pie:



- ▶ Realice el primer corte (1) en la parte inferior de la rama, aproximadamente a 2 pulg (5 cm) del tronco. Corte aproximadamente 1/4 del diámetro de la rama. Esto evitará que la rama se astille después del corte.
- ▶ Realice el segundo corte (2) en la parte superior de la rama, aproximadamente a 2 pulg (5 cm) del primer corte.
- ▶ No bien la rama comienza a caer, retire la motosierra y deje que la rama caiga al suelo.

8.5 Corte de troncos bajo tensión



⚠ ADVERTENCIA

- Hay un mayor riesgo asociado con el aprisionamiento de la motosierra durante el tronzado bajo tensión. La tensión en la madera también puede liberarse repentinamente y con gran fuerza, e impulsar el tronco, la rama o la motosierra hacia el operador y causarle lesiones o pérdida de control. Para reducir el riesgo de lesiones

personales graves o fatales a causa de las fuerzas reactivas, incluido el contragolpe, o una pérdida de control al cortar madera bajo tensión:

- Comience siempre con un recorte (1) en el lado de compresión del tronco y realice un corte de tronzado (2) en el lado de la tensión.
- Si la espada/cadena queda aprisionada, apague el motor, active el freno de la cadena, quite la batería y retire la sierra del tronco, con cuidado de que la rama no se quiebre o suelte de repente.

- Trabajar en áreas en las que los troncos, ramas y raíces están enredados (áreas derribadas) es extremadamente peligroso.
 - Arrastre los troncos, las ramas y otros materiales para cortar a un área libre antes de comenzar a trabajar. Retire de la zona primero los troncos aislados y despejados. No corte donde la punta de la espada pueda entrar en contacto con otros troncos, ramas u hojarasca.

8.6 Tala

8.6.1 Condiciones de tala

La tala consiste en cortar un árbol hasta que caiga. Antes de talar un árbol, estudie cuidadosamente todas las condiciones que pueden afectar la dirección de la caída.

⚠ ADVERTENCIA

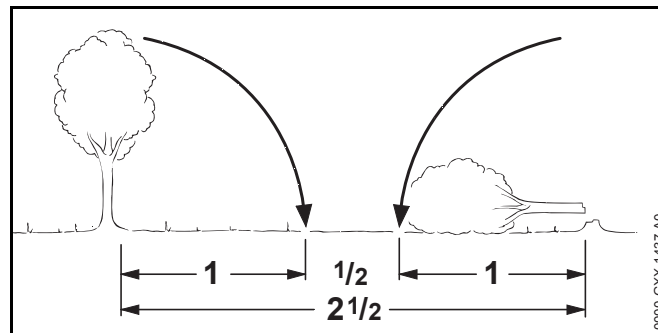
- Esta motosierra no está diseñada para la tala de árboles grandes; usarla para este fin podría impedir que se controle la caída del árbol o de la rama y generar lesiones personales graves o fatales.
- Existen varios factores que pueden afectar y cambiar el sentido previsto de caída, por ej., el sentido y la velocidad del viento, la inclinación natural del árbol, los árboles y obstáculos adyacentes, el terreno en declive, la

estructura de ramas de un solo lado, la estructura del follaje, la estructura de la madera, la pudrición, el peso de la nieve, etc.

- Para reducir el riesgo de sufrir lesiones graves o mortales, tanto para usted como para los demás, analice y planifique estas condiciones antes de comenzar el trabajo y manténgase alerta a cualquier cambio en el sentido durante la caída del árbol.
- Para talar un árbol cuyo diámetro es mayor que el doble del largo de corte de la espada, es necesario emplear el método de corte de tala por secciones o de corte por penetración. Ninguna de estas técnicas de corte se recomienda para este modelo de motosierra. Estos métodos pueden ser extremadamente peligrosos porque implican el uso de la punta de la espada y pueden causar contragolpe. Estas técnicas deben ser empleadas únicamente por profesionales competentes. Si no tiene experiencia en el manejo de una motosierra, no intente hacer el corte por penetración. Pida la ayuda de un profesional calificado.
- Nunca intente cortar un árbol de diámetro grande con una motosierra que no tenga el tamaño, la potencia o el tiempo de operación suficientes para completar la tarea de manera eficiente y sin volver a cargarla.
- Hay un riesgo mayor de que los árboles que se parten o pudren por dentro, o que se están inclinando o están bajo tensión, se derrumben o partan mientras se cortan, lo que puede causar lesiones graves o fatales al operador o los espectadores.
 - Siempre observe la condición general del árbol y tenga precaución.
 - Los usuarios sin experiencia nunca deben intentar cortar estos árboles.
 - Siempre tenga en cuenta las ramas quebradas o muertas que puedan soltarse con la vibración y caer encima del operador durante la tala. Algunos tipos de árboles son más susceptibles a esta condición, como los abetos Douglas. Debe consultar a un servicio de árboles reconocido si tiene preguntas acerca de la estabilidad de los árboles que cortará.

- Cuando esté talando en una ladera, siempre que sea posible sitúese en el lado cuesta arriba.

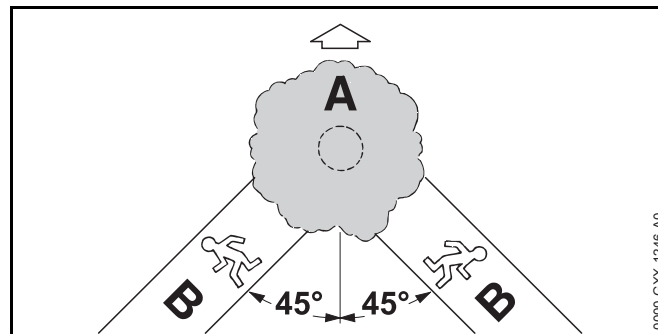
Durante la tala:



- ▶ Mantenga una distancia de, por lo menos, 2 1/2 veces la longitud del árbol con respecto a la persona más cercana.
- ▶ Tome más precauciones cerca de carreteras, líneas ferroviarias o líneas eléctricas. Antes de comenzar los trabajos de corte, avise a la policía, empresas de servicios públicos o autoridades del ferrocarril.

8.6.2 Ruta de escape

Antes de realizar el primer corte, prepare una ruta de escape:

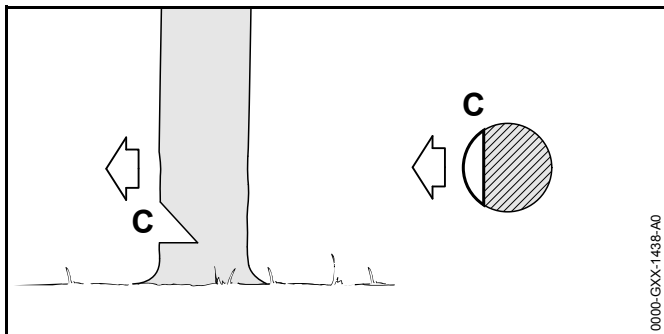


- ▶ Primero quite las ramas y la maleza del área alrededor de la base del árbol. Quite la vegetación de la parte inferior del árbol con un hacha.

- ▶ Luego, establezca al menos dos rutas de escape libres (B) y quite los obstáculos, como maleza, árboles pequeños y otra vegetación. Estas rutas deben permitir alejarse de la dirección planificada para la caída del árbol (A) a un ángulo de 45° de la línea de caída esperada. Coloque todas las herramientas y equipo a una distancia segura lejos del árbol, pero no en las rutas de escape.

8.6.3 Entalla convencional

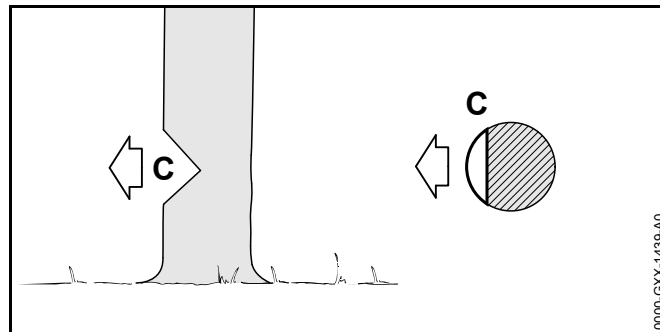
Para una entalla convencional:



- ▶ La entalla de tala determina la dirección de la caída del árbol. Coloque la entalla de tala perpendicular a la línea de caída, cerca del suelo.
- ▶ Esté atento a las condiciones, como el viento, la estructura de la rama y el follaje, la inclinación del árbol, la ladera del terreno y otros factores que pudieran alterar la dirección de la caída.
- ▶ Corte en un ángulo de aproximadamente 45° hasta una profundidad de aproximadamente 1/5 a 1/4 del diámetro del tronco.
- ▶ Realice un corte horizontal hasta la parte inferior del primer corte.
- ▶ Quite el pedazo de 45° resultante. El tamaño de la cuña variará según el tamaño del árbol. Cuanto más grande es el árbol, más grande es la cuña. Este modelo de motosierra no está diseñado para la tala de árboles de gran diámetro.

8.6.4 Entalla de cara libre

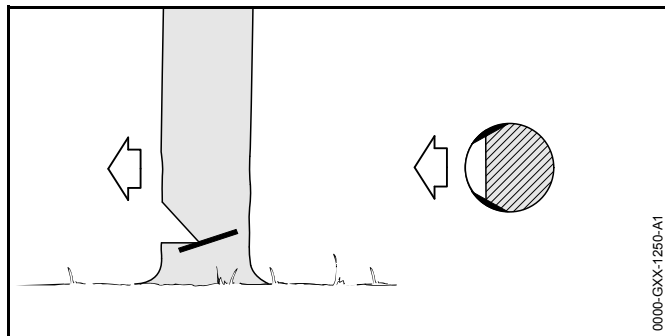
Para una entalla de cara libre:



- ▶ La entalla de tala determina la dirección de la caída del árbol. Coloque la entalla de tala perpendicular a la línea de caída, cerca del suelo.
- ▶ Esté atento a las condiciones, como el viento, la estructura de la rama y el follaje, la inclinación del árbol, la ladera del terreno y otros factores que pudieran alterar la dirección de la caída.
- ▶ Corte en un ángulo de aproximadamente 50° hasta una profundidad de aproximadamente 1/5 a 1/4 del diámetro del tronco.
- ▶ Realice un segundo corte hasta la parte inferior del primer corte por debajo a un ángulo de 40°.
- ▶ Quite el pedazo de 90° resultante. El tamaño de la cuña variará según el tamaño del árbol. Cuanto más grande es el árbol, más grande es la cuña. Este modelo de motosierra no está diseñado para la tala de árboles de gran diámetro.

8.6.5 Cortes de albura

Los cortes de albura ayudan a prevenir que las maderas blandas en verano se astillen cuando caen:



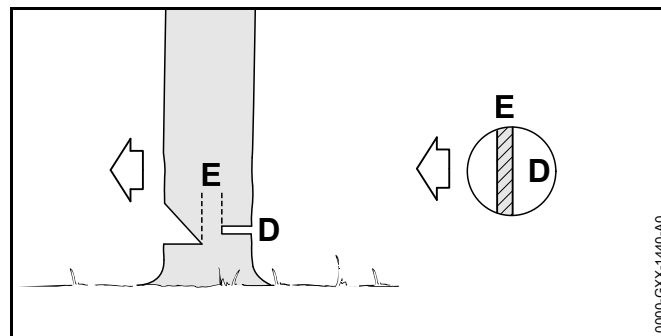
- ▶ Realice cortes a ambos lados del tronco, a la misma altura que el corte de tala subsiguiente. Asegúrese de que la sierra que utiliza tenga el tamaño, la potencia y el tiempo de funcionamiento suficientes para completar la operación de tala de manera eficiente y sin tener que volver a cargarla. Este modelo de motosierra no está diseñado para la tala de árboles de gran diámetro.
- ▶ Corte no más del ancho de la espada.

8.6.6 Corte trasero de tala

⚠ ADVERTENCIA

- Si la punta de la espada entra en contacto con la cuña que se usó para mantener la entalla o el corte abiertos, puede haber un contragolpe. Las cuñas deben ser de madera o de plástico, pero jamás de acero porque se dañaría la cadena.
- Para reducir el riesgo de lastimarse, no se sitúe nunca directamente detrás del árbol cuando está listo para caer, ya que parte del tronco puede rajarse y caer en dirección del operador, o el árbol puede saltar hacia atrás desprendiéndose del tocón.
- Siempre sitúese a un lado del árbol que va a caer. Cuando el árbol empiece a caer, retire la espada, libere el gatillo, accione el freno de cadena y aléjese rápidamente por la ruta de escape prevista.

- Tenga cuidado con las ramas que caen del árbol talado.
- Preste especial atención a los árboles parcialmente caídos. Cuando el árbol por alguna razón no se cae completamente, deje a un lado la sierra y tire el árbol al suelo con un cabrestante de cable, un polipasto y aparejo o un tractor. Intentar cortarlo con la sierra es extremadamente peligroso y puede causar lesiones graves o fatales. Los árboles de esta naturaleza pueden caer de forma repentina y, con frecuencia, están bajo tensión.



El árbol se derriba con el corte trasero de tala (D).

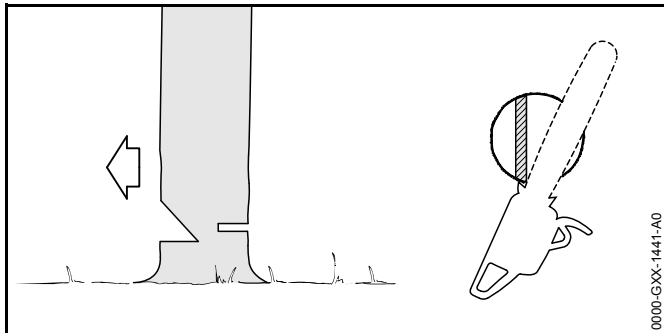
Para las entallas convencionales y de cara libre:

- ▶ Comience de 1 a 2 pulg (2,5 a 5 cm) más arriba que la parte inferior de la entalla de tala.
- ▶ Corte horizontalmente hacia la entalla de tala.
- ▶ Deje aproximadamente 1/10 del diámetro del árbol sin corte. Este es el eje (E) que ayudará a controlar la caída del árbol.
- ▶ No corte a través del eje ya que podría perder el control del sentido de la caída.
- ▶ De ser necesario, las cuñas pueden impulsarse hacia el corte trasero de tala para mantener el corte abierto y ayudar a controlar la dirección de la caída. Por ejemplo, si un árbol tiende a resistirse y la sierra se atasca, se pueden usar las cuñas para reposicionarla.

Este modelo de motosierra no está diseñado para la tala de árboles de gran diámetro.

8.6.7 Corte en abanico

Use el corte en abanico simple para realizar el corte trasero de tala en los árboles con un diámetro menor que la longitud de corte eficaz de la espada.



- ▶ Después de crear la entalla de tala, enganche las púas de tope de la motosierra directamente detrás de la ubicación del eje previsto y 1 a 2 pulg (2,5 a 5 cm) más arriba que la parte inferior de la entalla de tala. Haga girar la sierra alrededor de ese punto solamente hasta la parte posterior del eje. No corte a través del eje. La púa de tope debe llegar al tronco hasta que se complete el corte trasero.

9 Seguridad de la batería

9.1 Advertencias e instrucciones

⚠ ADVERTENCIA

- El uso de baterías no autorizadas puede dañar la motosierra y causar incendios, explosiones, lesiones personales y daños a la propiedad.
 - Use solo baterías de la serie STIHL AK genuinas.
- El uso de baterías de la serie STIHL AK para cualquier fin que no sea alimentar las herramientas eléctricas STIHL podría ser extremadamente peligroso.
 - Use las baterías de la serie STIHL AK solo con herramientas eléctricas STIHL compatibles.
- El uso de cargadores no autorizados puede dañar la batería y causar incendios, explosiones, lesiones personales y daños a la propiedad.
 - Use solo cargadores de la serie STIHL AL auténticos para cargar las baterías de la serie STIHL AK.
- La batería posee características y dispositivos de seguridad que, de dañarse, pueden provocar que esta genere calor, se rompa, pierda líquido, se incendie o explote.



- Nunca caliente la batería por encima de los 100 °C (212 °F).
- Nunca la incinere ni la coloque sobre el fuego o cerca de este, de estufas o de otros sitios con altas temperaturas.
- Nunca utilice ni cargue una batería defectuosa, dañada, agrietada, deformada o que pierda líquido.
- Nunca abra, desarme, aplaste, deje caer o dañe la batería ni la esponja a impactos.
- Nunca la esponja a microondas o altas presiones.
- Nunca coloque objetos en las ranuras de refrigeración de la batería.

- Las altas temperaturas pueden hacer que la batería genere calor, se rompa, pierda líquido, se incendie o explote, lo que podría causar lesiones personales graves o fatales y daños a la propiedad. La exposición a temperaturas fuera del rango recomendado también puede reducir la vida útil y el rendimiento de la batería.



- Utilice y guarde la batería únicamente a una temperatura ambiente de $-10\text{ }^{\circ}\text{C}$ a $50\text{ }^{\circ}\text{C}$ ($14\text{ }^{\circ}\text{F}$ a $122\text{ }^{\circ}\text{F}$).
- No guarde la batería en un lugar con luz solar directa ni dentro de un vehículo en climas calurosos.
- Para reducir el riesgo de lesiones personales o daños a la propiedad en caso de que la batería emane humo o un olor inusual, o esté más caliente de lo habitual durante el uso, la carga o el almacenamiento:
 - Inmediatamente deje de usar o cargar la batería. Prepárese para ponerse en contacto con las autoridades en caso de incendio o explosión.
- Para reducir el riesgo de cortocircuito, que podría causar una descarga eléctrica, un incendio o una explosión:



- No moje la batería. Protéjalo de la lluvia, el agua, los líquidos y las condiciones de humedad.
- Nunca sumerja la batería en agua u otros líquidos.
- Nunca coloque un puente entre los contactos de la batería con cables u otros objetos metálicos.
- Mantenga las baterías en desuso alejadas de objetos metálicos (por ejemplo, presillas de papel, clavos, monedas, llaves).
- Nunca transporte o guarde la batería en un recipiente metálico.
- Guarde la batería bajo techo, en un lugar seco.
- Nunca guarde la batería en entornos húmedos o corrosivos, o en condiciones que podrían generar la corrosión de sus componentes metálicos.
- Nunca guarde la batería en la motosierra o el cargador.

- Proteja la batería de la exposición a agentes corrosivos, como productos químicos de jardinería y sales de deshielo.
- No intente reparar, abrir o desarmar la batería. No contiene en su interior piezas que el usuario pueda reparar.

- El fluido de baterías que se escape es dañino y puede causar irritaciones en la piel o los ojos, quemaduras químicas y otras lesiones personales graves.
 - Evite el contacto con la piel y los ojos.
 - Use un absorbente inerte, como arena, sobre los líquidos derramados.
 - En caso de contacto accidental, lave el área de contacto inmediatamente con agua y un jabón suave.
 - Si entra líquido en los ojos: No se frote. Enjuague el ojo abierto con agua por al menos 15 minutos y busque atención médica.
- Un incendio de batería puede ser peligroso. Para reducir el riesgo de lesiones personales graves y daños a la propiedad en caso de incendio:
 - Evacúe el área. El fuego se puede propagar rápidamente. Manténgase alejado de los vapores generados y mantenga una distancia segura.
 - Póngase en contacto con el departamento de bomberos.
 - Aunque se puede usar agua para apagar un incendio de batería, es preferible usar un extintor de incendios de polvo químico multiuso.
 - Consulte al departamento de bomberos acerca de cómo desechar correctamente la batería quemada.
- Caída de la batería puede causar lesiones personales o daños a la propiedad. Para prevenir la caída de la batería durante el retiro:
 - Coloque la motosierra en una superficie nivelada.
 - Tenga cuidado al sacar la batería.

10 Seguridad del cargador

10.1 Advertencias e instrucciones

⚠ ADVERTENCIA

- Para reducir el riesgo de incendios, descargas eléctricas u otras lesiones personales o daños a la propiedad:

- Lea y respete todas las marcas de precaución del cargador, de la batería y de la motosierra, y todas las instrucciones de este manual antes de usar el cargador.
- Cargue solamente baterías originales STIHL AK o STIHL AP. Otras baterías podrían romperse, incendiarse o explotar y causar lesiones personales o daños a la propiedad.



- Para uso en interior únicamente.
- No moje el cargador. Protéjalo de la lluvia, el agua, los líquidos y las condiciones de humedad. No inserte una batería mojada ni use el cargador si está mojado.
- No toque el cargador, el cordón eléctrico ni el enchufe con las manos mojadas.
- Nunca use el cargador si está roto.
- Nunca cargue baterías defectuosas, dañadas, agrietadas, deformadas o que pierdan líquido.
- Nunca guarde una batería en el cargador.
- Utilice el cargador bajo techo, únicamente en recintos secos, y a una temperatura ambiente de 41 °F a 104 °F (5 °C a 40 °C).
- Mantenga el cargador fuera del alcance de los niños.
- Siempre enchufe el cargador en un tomacorriente de pared instalado correctamente, que tenga los mismos voltaje y frecuencia eléctrica que se indican en el cargador.

- Nunca use zapatillas eléctricas para hacer funcionar varios cargadores u otros dispositivos desde el mismo tomacorriente o que formen parte del mismo circuito.
- No opere el cargador si este ha recibido un fuerte golpe, o se ha caído o dañado de cualquier otro modo.
- No intente reparar, abrir o desarmar el cargador. No contiene en su interior piezas que el usuario pueda reparar.

- Para reducir el riesgo de descarga eléctrica o incendio debido a un cortocircuito:
 - Asegúrese de que la batería y el cargador estén completamente secos antes de iniciar el proceso de carga.
 - Nunca coloque un puente entre los contactos del cargador con cables u otros objetos metálicos.
 - No inserte ningún objeto en las ranuras de enfriamiento del cargador.
- El cargador se calienta durante el proceso de carga. Para reducir el riesgo de incendios:
 - No haga funcionar el cargador sobre superficies que puedan incendiarse (por ejemplo, papel, cartón o telas) o en un entorno combustible.
 - Deje que el cargador se enfríe por sí solo. No lo cubra.
- Los cargadores pueden producir chispas que pueden encender los gases, líquidos, vapores, polvos u otros materiales combustibles. Para reducir el riesgo de incendio y explosión:
 - No haga funcionar en un lugar donde haya gases, líquidos, vapores, polvos u otros materiales combustibles.
- Usar un cordón eléctrico o un enchufe dañado puede provocar incendios, descargas eléctricas y otras lesiones personales o daños a la propiedad. Para reducir estos riesgos:




- Revise regularmente el cordón eléctrico y el enchufe del cargador en busca de daños. Si están dañados, desconecte el enchufe del tomacorriente de pared inmediatamente.
- Reemplace el cargador si el cordón eléctrico se daña. El cordón eléctrico no se puede reparar ni reemplazar.
- Desenchufe el cordón eléctrico del tomacorriente cuando el cargador no esté en uso.
- Nunca tire del cordón eléctrico para desconectarlo del tomacorriente de pared. Para desenchufarlo, sujete el enchufe y no el cordón.
- No use el cordón eléctrico para ningún otro fin, por ejemplo, para transportar o sostener el cargador.
- Asegúrese de que el cordón eléctrico esté ubicado o marcado como para que no se lo pise, cause tropiezos, esté en contacto con objetos cortantes o partes móviles, o de otro modo sujeto a daño o esfuerzo.
- No debería usarse un alargador a menos que sea absolutamente necesario. Sobrecargar un alargador puede provocar sobrecalentamiento e incendio. Si es imprescindible utilizar un alargador:
 - Solamente emplee un alargador debidamente formado con alambres calibre 16 (AWG 16) o de mayor calibre.
 - Nunca conecte más de un cargador u otro dispositivo a un alargador.
 - Nunca use un alargador cuyo vataje sea inferior al indicado en la chapa de especificaciones del cargador.
 - Nunca use un alargador si las clavijas del enchufe difieren de las clavijas del enchufe del cargador en cuanto a la cantidad, el tamaño o la forma.
 - No una alargadores entre sí.

- En caso de incendio o si el cargador o la batería emana humo, un olor inusual, está caliente al tacto o tiene un aspecto anormal durante el proceso de carga:
 - Desconecte inmediatamente el cargador del tomacorriente y comuníquese con las autoridades pertinentes en caso de incendio o explosión.


11 Mantenimiento, reparación y almacenamiento

11.1 Advertencias e instrucciones

▲ ADVERTENCIA

- La batería, el cargador o la motosierra no contienen piezas que el usuario esté autorizado a reparar. Para reducir el riesgo de incendios, descargas eléctricas u otras lesiones personales y daños a la propiedad:
 - Los usuarios deben efectuar únicamente los trabajos de mantenimiento y limpieza descritos en este manual. Los usuarios no deben realizar ningún otro trabajo de limpieza, mantenimiento o reparación.
 - Siga precisamente las instrucciones de limpieza y mantenimiento dadas en las secciones correspondientes de este manual de instrucciones.
 - STIHL recomienda que un concesionario de servicio STIHL autorizado efectúe todos los trabajos de reparación.
- El arranque accidental puede causar lesiones personales o daños a la propiedad. Para reducir el riesgo de lesiones personales y daños a la propiedad a causa de un arranque accidental:
 - Accione el freno de la cadena moviendo el protector de mano delantero hacia adelante a  y quite la batería antes de inspeccionar la motosierra y realizar tareas de limpieza, mantenimiento reparación o antes de almacenamiento, y cuando no está en uso.



- La espada y la cadena son las únicas piezas de la motosierra que el usuario puede reparar. El mantenimiento adecuado ayudará a conservar el rendimiento de corte y reducir el riesgo de lesiones personales causadas por el descarrilamiento de la cadena y las fuerzas reactivas.
 - Siempre use guantes al manipular la cadena de aserrado.
 - Mantenga limpios la cadena, espada y el piñón.
 - Reemplace la cadena y la espada cuando se desgasten o dañen.
 - Mantenga la cadena afilada y correctamente tensada.
 - Apriete todas las tuercas, pernos y tornillos después de haber usado la máquina.
- Igual que el freno de un automóvil, el freno de la cadena de una motosierra se desgasta cada vez que se accione. Para que el freno de la cadena de su motosierra STIHL ejecute correctamente su función de reducir el riesgo de contragolpe y otras lesiones, tiene que estar bien cuidado. Para el funcionamiento adecuado y eficaz del freno de la cadena:
 - Devuelva la motosierra al concesionario de servicio STIHL autorizado para la inspección y el servicio periódicos del sistema de freno de acuerdo con los intervalos indicados a continuación: Uso intenso: cada tres meses; uso moderado: dos veces al año; uso ocasional: anualmente.
 - Lleve la motosierra inmediatamente al taller cada vez que el sistema de freno no pueda limpiarse a fondo o se produzca un cambio en sus características de funcionamiento.
- El uso de piezas no autorizadas o aprobadas por STIHL puede causar lesiones graves o fatales y daños a la propiedad.
 - STIHL recomienda que solo se usen piezas de repuesto STIHL idénticas autorizadas para la reparación o el mantenimiento.
- Para reducir el riesgo de descarga eléctrica:
 - Desenchufe el cargador del tomacorriente de pared antes de inspeccionar o limpiar el cargador.
 - Revise regularmente el cargador y asegúrese de que el aislamiento del cordón eléctrico y el enchufe del cargador estén en buenas condiciones y no muestren signos de deterioro (fragilidad), desgaste o daño.
 - Reemplace el cargador si el cordón eléctrico se desgasta o daña. El cordón eléctrico no se puede reparar ni reemplazar.
- Para reducir el riesgo de cortocircuitos e incendios:
 - Mantenga las ranuras de la batería libres de materia extraña. Efectúe la limpieza necesaria con un paño seco o con un cepillo suave y seco.
- El almacenamiento incorrecto puede provocar un uso no autorizado; daños a la motosierra, la batería y el cargador; y un aumento del riesgo de incendio, descarga eléctrica y otras lesiones personales o daños a la propiedad.
 - Accione el freno de la cadena moviendo el protector de mano delantero hacia adelante a la posición  y saque la batería de la motosierra antes de guardarla.
 - Nunca guarde la motosierra y el cargador con la batería puesta.
 - Antes de guardar la motoguadaña, siempre desenchufe el cargador del tomacorriente de pared y quite la batería.
 - Guarde la motosierra, la batería y el cargador bajo techo en un lugar seco y seguro al que los niños y otras personas no autorizadas no puedan acceder.

- Nunca guarde la batería en la motosierra, en el cargador o en un envase metálico, ni en un envase junto con objetos metálicos (por ejemplo, presillas para papel, clavos, monedas, llaves).

12 Antes de empezar a trabajar

12.1 Preparación de la motosierra para el funcionamiento:

Antes de empezar a trabajar:

- ▶ Cargue la batería completamente. 13.2.
- ▶ Monte la espada y la cadena de aserrado. 15.2.1.
- ▶ Tense la cadena de aserrado. 15.3.
- ▶ Llene el tanque de aceite de la cadena. 15.4.2.
- ▶ Revise el freno de la cadena. 19.1.
- ▶ Verifique los controles para la función y la condición adecuada. .
- ▶ Revise el flujo de aceite de la cadena. 19.3.

13 Carga de la batería

13.1 Preparación del cargador para el funcionamiento

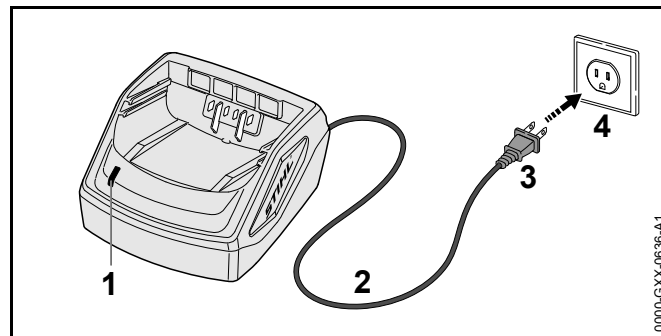
ADVERTENCIA

Lea y siga las precauciones e instrucciones de seguridad de la batería y del cargador en este manual 9 y 10. Para reducir el riesgo de cortocircuito, que podría provocar una descarga eléctrica, un incendio y una explosión, asegúrese de que el cargador y sus componentes estén secos y no estén dañados; opere el cargador puertas adentro a la temperatura ambiente adecuada. 10.

ADVERTENCIA

Dado que la batería y el cargador se calientan durante el proceso de carga, no haga funcionar el cargador sobre superficies que puedan incendiarse o en un lugar donde haya gases, líquidos, vapores, polvo u otros materiales y sustancias combustibles. 10.

Para preparar el cargador para el funcionamiento:



- ▶ Inserte el enchufe (3) en un tomacorriente de pared correctamente instalado (4) que tenga el mismo voltaje y la misma frecuencia eléctrica que se indican en la placa de capacidad nominal que se encuentra en la parte trasera del cargador. El cargador ejecutará una autoprueba inmediatamente después de enchufarlo. El LED del cargador (1) se iluminará en verde durante 1 segundo aproximadamente, y luego en rojo por un lapso breve hasta apagarse. Una vez que la autoprueba finaliza, el cargador queda listo para cargar la batería.
- ▶ Ubique el cable eléctrico (2) como para que no se lo pise, cause tropiezos, esté en contacto con objetos cortantes o partes móviles o, de otro modo sujeto, a daño o esfuerzo.

13.2 Carga

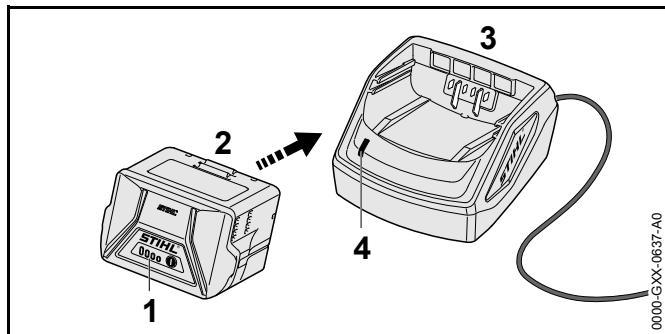
ADVERTENCIA

Las baterías STIHL poseen características y dispositivos de seguridad que, de dañarse, pueden provocar que esta genere calor, se rompa, pierda líquido, se incendie o

explote. Nunca cargue una batería defectuosa, dañada, agrietada, deformada o que pierda líquido. Para uso en interior únicamente. No moje el cargador. Protéjalo de la lluvia, el agua, los líquidos y las condiciones de humedad. Nunca coloque ni utilice una batería o un cargador mojados.



Para cargar la batería:



- ▶ Inserte la batería (2) en el cargador (3) hasta que haga tope. El LED del cargador (4) se ilumina en verde cuando la batería se está cargando. Los LED (1) de la batería se iluminan en verde e indican el estado de la carga. Cuando se apagan los LED de la batería, el proceso de carga está finalizado y el cargador se apagará a sí mismo.
- ▶ Retire la batería del cargador y desconecte el cordón eléctrico del tomacorriente de pared cuando el proceso de carga haya finalizado.

Una batería nueva no está completamente cargada. STIHL recomienda cargar completamente la batería antes de usarla por primera vez.

Utilice el cargador bajo techo solamente, en recintos secos, y a una temperatura ambiente de 5 °C a 40 °C (41 °F a 104 °F).

La batería se calienta durante el funcionamiento de la motosierra. Si se coloca una batería caliente dentro del cargador, posiblemente habrá que dejarla enfriar antes de cargarla. El proceso de carga comienza únicamente cuando la batería está lo suficientemente fría.

El tiempo de carga depende de varios factores, tales como el estado de la batería y la temperatura ambiente. Para obtener una lista completa de tiempos de carga aproximados, visite www.stihl.com/charging-times.

14 Diagnóstico de LED

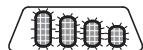
14.1 LED en la batería

14.1.1 Estado de la batería

Cuatro LED muestran el estado de la batería. Estos LED pueden encenderse o destellar en verde o rojo.



Si un LED se enciende en rojo continuamente, la batería está demasiado caliente o demasiado fría. Deje que la batería se caliente o se enfríe gradualmente a una temperatura ambiente de aproximadamente 10 °C a 20 °C (50 °F a 68 °F).



Si los cuatro LED destellan en rojo, la batería está averiada y debe reemplazarse. No intente cargar, usar ni guardar la batería.




14.1.2 Estado de la motosierra

Cuando la batería se coloca en la motosierra, los mismos LED en la batería indicarán el estado de la motosierra.

Si los tres LED se encienden en rojo continuamente, el motor de la motosierra está demasiado caliente. Deje que el motor se enfríe.

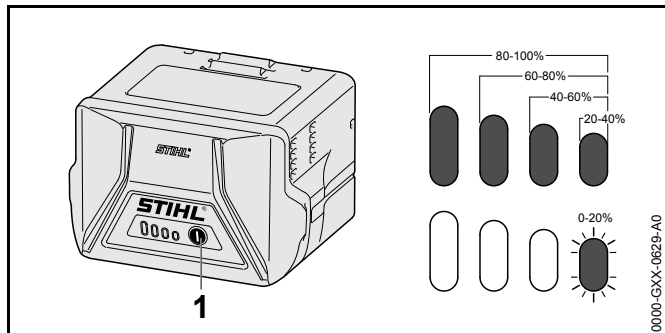
Si tres LED destellan en rojo cuando activa el gatillo, la motosierra tiene un defecto eléctrico. No opere la motosierra. Solicite a un concesionario de servicio STIHL autorizado que la revise antes de usarlo.

Para información de localización de averías,  25.

14.1.3 Estado de carga

Los LED en la batería también muestran el estado de carga de la batería.

Para determinar el estado de carga de la batería:



- Presione el botón (1) en la batería. Los LED de la batería se encenderán o destellarán en verde por unos 5 segundos e indicarán el estado de carga (vea la ilustración).

Por ejemplo:

Si cuatro LED se encienden en verde continuamente, la carga está completa.

Si un LED destalla en verde, queda menos del 20 % de la carga.

14.2 LED en el cargador

El estado del cargador se indica mediante un LED. El LED puede iluminarse en verde o destellar en rojo.



Si el LED se ilumina continuamente en verde: la batería se está cargando.

o

La batería está muy caliente o muy fría para cargarse. Para determinar la condición de la batería, revise los LED de la batería. Si hay una luz roja iluminada, deje que la batería se caliente o se enfríe gradualmente a una temperatura ambiente de aproximadamente 50 °F a 68 °F (10 °C a 20 °C).




Si el LED destalla en rojo: no hay contacto eléctrico entre la batería y el cargador. Retire y vuelva a colocar la batería.

o

La batería está averiada y es necesario reemplazarla. Revise los LED de la batería. No utilice una batería ni la recargue si sus LED indican que ha habido una avería.

o

El cargador está averiado. Solicite a un concesionario de servicio STIHL autorizado que lo revise antes de usarlo.

Para obtener más información,  25.

15 Armado de la motosierra

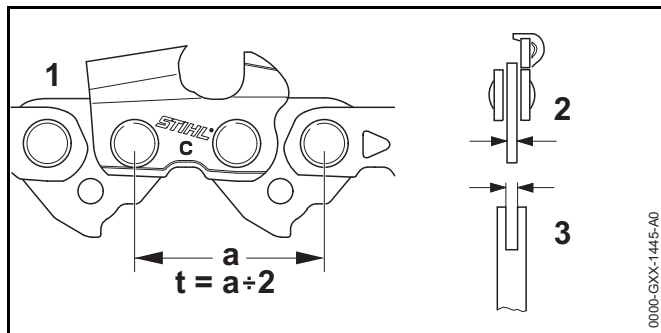
15.1 El accesorio de corte



ADVERTENCIA

Si no se utilizan los componentes correspondientes, el accesorio de corte se dañará de manera permanente después de un período breve de uso, y la cadena podría descarrilarse y causar lesiones personales graves o fatales.

Un accesorio de corte consta de la cadena de aserrado, la espada y el piñón. El accesorio de corte que se incluye como equipo estándar con este modelo de motosierra está diseñado especialmente para la motosierra.



- El paso (t) de la cadena de aserrado (1), el piñón de la cadena y, si corresponde, el piñón impulsor de la espada Rollomatic deben corresponder entre sí.
- El grosor del eslabón impulsor (2) de la cadena de aserrado debe corresponder con el ancho de la ranura de la espada (3).

15.2 Montaje y extracción de la espada y la cadena de aserrado

15.2.1 Montaje de la espada y la cadena de aserrado

⚠ ADVERTENCIA

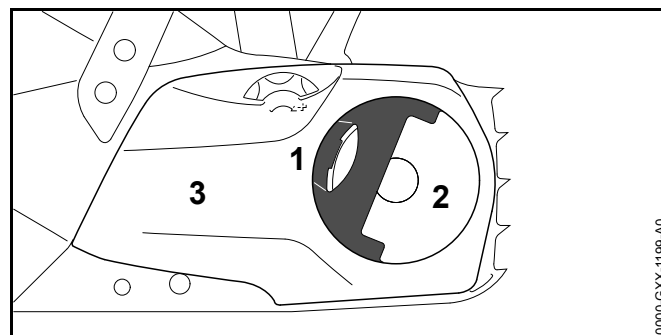
Asegúrese de que se quite la batería y de que el freno de la cadena esté accionado antes de comenzar el armado. Nunca ponga la motosierra en funcionamiento sin montar correctamente la espada y la cadena de aserrado. 6.5. Use solo las combinaciones de espadas y cadenas de aserrado expresamente recomendadas y aprobadas por STIHL. 6.4.

⚠ ADVERTENCIA

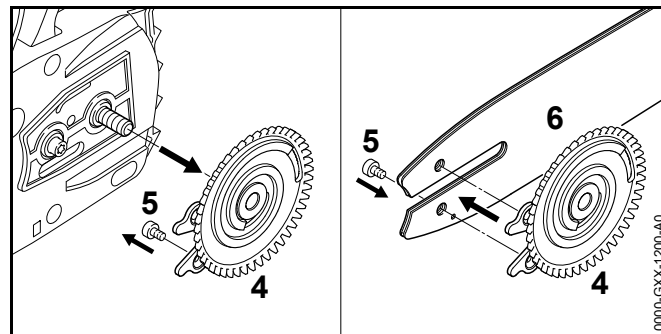
La cadena de aserrado tiene muchos cortadores afilados. Si entran en contacto con alguna parte de su cuerpo, le causarán una herida, aunque la cadena de aserrado esté detenida. 6.4. Use siempre guantes resistentes al montar o manipular la cadena de aserrado. 6.3.

Para montar la espada y la cadena de aserrado:

- ▶ Apague la motosierra. 18.1.
- ▶ Accione el freno de la cadena. 16.1.
- ▶ Retire la batería. 17.2.

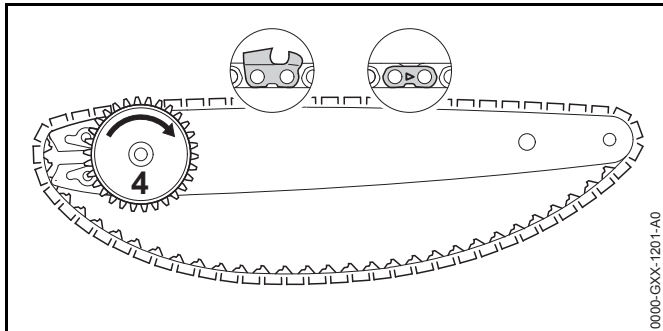


- ▶ Levante el mango (1) de la tuerca mariposa (2).
- ▶ Gire la tuerca mariposa en sentido contrahorario hasta que la cubierta del piñón de la cadena (3) se pueda quitar.
- ▶ Quite la cubierta del piñón de la cadena.

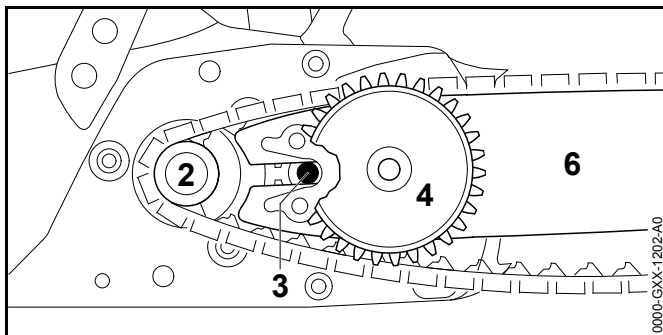


- ▶ Retire el engranaje tensor (4).

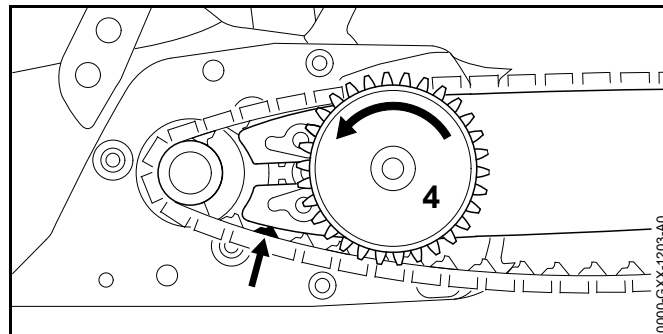
- ▶ Saque el tornillo (5).
- ▶ Coloque la espada (6) en el engranaje tensor de modo que los pasadores de este encajen en los orificios de la espada.
- ▶ Coloque el tornillo y apriételo.



- ▶ Coloque la cadena de aserrado en la ranura de la espada, comenzando con la punta.
- ▶ Asegúrese de que las cuchillas en la ranura del lado superior de la espada estén orientadas hacia la punta de la espada. Las cadenas de aserrado STIHL están fabricadas con flechas en las correas de amarre para ayudar al operador a determinar la dirección correcta de la cadena. Las flechas en las correas de amarre en la parte superior de la espada deben estar orientadas hacia la punta de la espada.
- ▶ Gire el engranaje tensor en sentido horario hasta que se detenga.



- ▶ Aparte la punta de la espada del piñón (2) de la cadena con los dientes del engranaje tensor (4) a una distancia adecuada del motor.
- ▶ Coloque la cadena de aserrado alrededor del piñón de la cadena.
- ▶ Deslice la espada sobre el tornillo del collarín (3). La cabeza del tornillo del collarín debe sobresalir del orificio oblongo.



- ▶ Suelte el freno de la cadena. 16.2.
- ▶ Dirija los eslabones impulsores hacia la ranura de la espada (flecha) mientras gira el engranaje tensor (4) en sentido contrahorario hasta que se detenga. La espada y la cadena de aserrado deben montarse de manera firme y segura en la motosierra.
- ▶ Ajuste la cubierta del piñón en la motosierra de modo que quede al ras con la carcasa.
- ▶ Al colocar la cubierta del piñón de la cadena, los dientes de la rueda de ajuste y el engranaje tensor deben engranar.
- ▶ De ser necesario, gire un poco la rueda de ajuste hasta que la cubierta del piñón quede al ras con la carcasa.
- ▶ Gire la tuerca mariposa en sentido horario hasta que la cubierta del piñón de cadena quede firmemente colocada en la motosierra.
- ▶ Cierre el mango de la tuerca mariposa.

15.2.2 Extracción de la espada y la cadena de aserrado


- ▶ Levante el mango de la tuerca mariposa para abrirla y luego gírela en sentido contrahorario hasta que pueda quitarse la cubierta del piñón de la cadena.
- ▶ Quite la cubierta del piñón de la cadena.
- ▶ Gire el engranaje tensor en sentido contrahorario hasta que se detenga y la cadena de aserrado se suelte.
- ▶ Quite la espada, incluidos el engranaje tensor y la cadena de aserrado.

INDICACIÓN





Las partes superior e inferior de la espada son simétricas y la espada debe montarse con la impresión hacia arriba o hacia abajo. Girar la espada cada vez que la cadena se afila o cambia ayudará a reducir el desgaste desperejo y mejorar su vida útil.

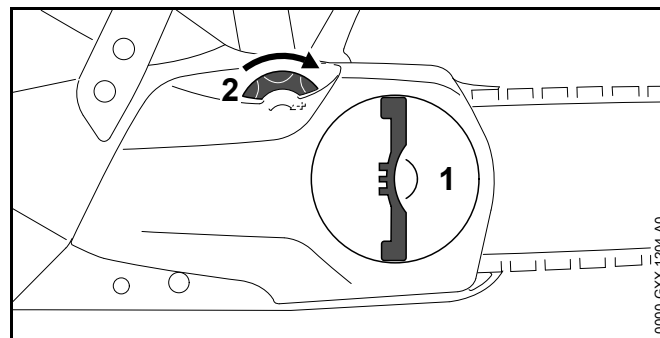
15.3 Tensado de la cadena de aserrado

ADVERTENCIA

Para reducir el riesgo de lesiones personales a causa del descarrilamiento de la cadena, compruebe la tensión de la cadena frecuentemente.  6.5. A temperaturas de funcionamiento, la cadena se estira y se afloja. Una cadena de aserrado tiende a estirarse más que una cadena usada. Tense la cadena de aserrado de modo que los eslabones impulsores no se puedan salir de la ranura en la parte inferior de la espada.

Para tensar la cadena de aserrado correctamente:

- ▶ Apague la motosierra.  18.2.
- ▶ Accione el freno de la cadena.  16.1.
- ▶ Retire la batería.  17.2.
- ▶ Levante el mango de la tuerca mariposa (1).
- ▶ Gire la tuerca mariposa en sentido contrahorario dos veces o hasta que la cadena de aserrado se suelte.
- ▶ Suelte el freno de la cadena.  16.2.



- ▶ Gire la rueda de ajuste (2) en sentido horario hasta ajustar la cadena.
Una cadena ajustada de manera correcta encajará estrechamente contra la parte inferior de la espada, pero todavía podrá tirarse fácilmente de ella junto a la espada con la mano. Siempre use guantes al manipular la cadena.
- ▶ Si la cadena no puede moverse por la espada, la cadena está demasiado ajustada.
 - Reduzca la tensión girando la rueda de ajuste en sentido contrahorario hasta que la cadena se pueda mover libremente por la espada.
 - Asegúrese de que los eslabones impulsores permanezcan en la ranura y de que la cadena encaje ajustadamente contra la parte inferior de la espada.
- ▶ Una vez que la cadena se tensó adecuadamente, ajuste la tuerca mariposa con la mano para asegurar la cubierta del piñón de la cadena.

INDICACIÓN

Suelte siempre la tensión de la cadena después de terminar los trabajos. La cadena se contrae al enfriarse. Si no se suelta la tensión, se podrían dañar el eje impulsor y los cojinetes. Vuelva a tensar la cadena de forma correcta antes de usar la sierra nuevamente.

15.4 Lubricación de la cadena de aserrado y de la espada

15.4.1 Lubricante de espadas y cadenas

! ADVERTENCIA

Nunca haga funcionar la sierra si la espada y la cadena no están lubricadas. Si la cadena funciona sin lubricación, el accesorio de corte sufrirá daños permanentes en un lapso muy breve. Una cadena dañada puede romperse y causar lesiones personales graves o fatales. Siempre revise la lubricación de la cadena y el nivel de aceite en el tanque antes de empezar a trabajar y de manera frecuente durante el trabajo.

! ADVERTENCIA

Nunca use aceite de desecho para lubricar la cadena de aserrado y la espada STIHL. El contacto repetido con aceite de desecho puede causar cáncer en la piel. Además, el aceite de desecho es dañino para el ambiente.

El aceite de la espada y la cadena lubrica y refrigera la cadena de aserrado en movimiento. La vida útil de la cadena y de la espada depende de la calidad del lubricante. Por lo tanto, es esencial usar un lubricante de cadena de formulación especial.

- ▶ Para la lubricación automática y confiable de la cadena y espada, utilice exclusivamente un lubricante de calidad, compatible con el medio ambiente, diseñado para uso con cadenas y espadas. STIHL recomienda el uso de aceite rápidamente biodegradable STIHL BioPlus.

INDICACIÓN




El aceite de cadena biodegradable debe ser resistente al envejecimiento, pues de lo contrario se convertiría rápidamente en resina. Esto produce como resultado depósitos sólidos difíciles de quitar, especialmente en las zonas del mando de la cadena y la cadena misma. Hasta puede causar el agarrotamiento de la bomba de aceite.

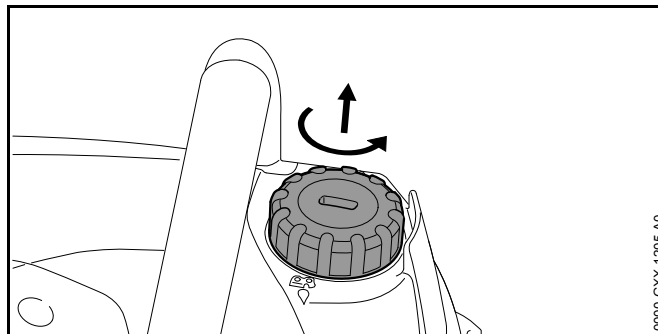
INDICACIÓN

El aceite de desecho no tiene las propiedades lubricantes necesarias y no es adecuado para la lubricación de cadenas.

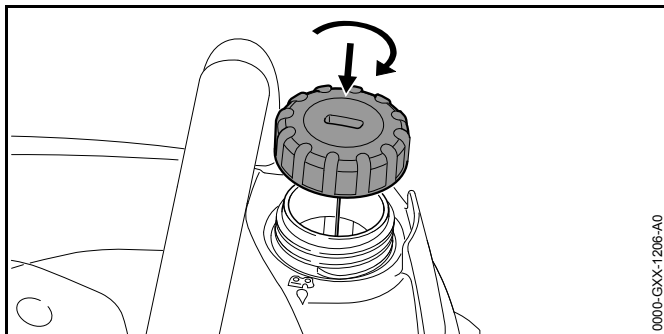
15.4.2 Llenado del tanque de aceite de la cadena

Para llenar el tanque de aceite de la cadena:

- ▶ Apague la motosierra.  18.2.
- ▶ Accione el freno de la cadena.  16.1.
- ▶ Retire la batería.  17.2.
- ▶ Coloque la motosierra sobre una superficie nivelada con la tapa de llenado de aceite hacia arriba.
- ▶ Limpie el área alrededor de la tapa de llenado de aceite con un paño levemente humedecido.



- ▶ Gire la tapa de llenado de aceite en sentido contrahorario hasta que pueda quitarse.
- ▶ Retire la tapa de llenado de aceite y llene el tanque con aceite de cadena.
- ▶ Tenga cuidado de no derramar el aceite de la cadena mientras rellena el tanque.
- ▶ No llene en exceso el tanque. Deje aproximadamente 0,5 pulg (13 mm) de espacio de aire.



Para cerrar el tanque:

- Coloque la tapa de llenado de aceite en el cuello del tanque de llenado de aceite y presiónela mientras la gira en sentido horario hasta que esté ajustada.

16 El freno de cadena

16.1 Accionamiento del freno de la cadena

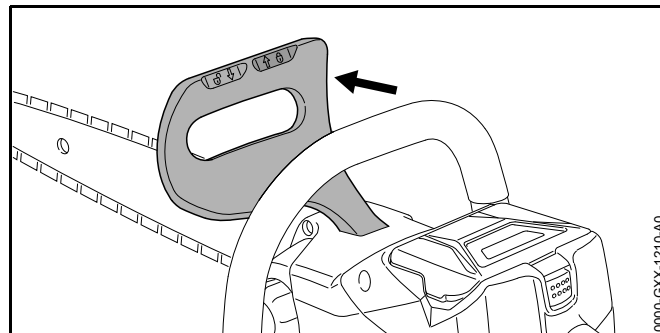
⚠ ADVERTENCIA


El freno de la cadena funcionará únicamente si ha recibido el mantenimiento adecuado y el protector delantero de la mano no se ha modificado. 📖 7.2.1.

⚠ ADVERTENCIA

Ningún dispositivo de freno de la cadena impide el contragolpe. Este dispositivo está diseñado para reducir el riesgo de lesiones por contragolpe, si se activa, en ciertas situaciones de contragolpe. Para que el freno de la cadena reduzca el riesgo de lesiones por contragolpe, debe estar bien mantenido y en buenas condiciones de funcionamiento. 📖 7.2.1.

Al accionar el freno de la cadena, la cadena se bloquea. Para accionar manualmente el freno de la cadena:



- Coloque el protector delantero de la mano en la posición , lejos del mango delantero. Oirá un clic cuando el protector delantero de mano alcance la posición de bloqueo.

En caso de un contragolpe, el freno está diseñado para accionarse cuando la mano izquierda toca el protector delantero y lo empuja hacia adelante.

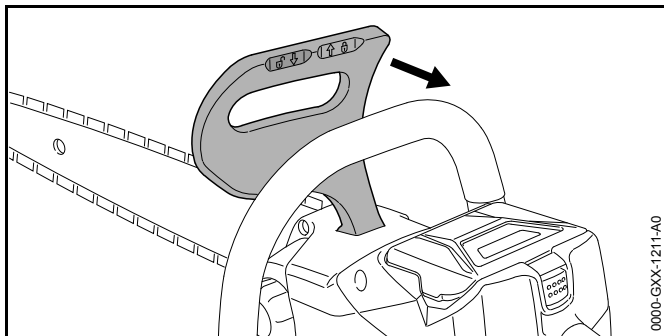
El freno de la cadena también está diseñado para ser activado por la inercia del protector delantero si las fuerzas son lo suficientemente altas para ello. Cuando el freno se acciona por inercia, el protector de la mano es empujado a gran velocidad hacia la punta de la espada, aunque la mano no esté detrás del protector, por ejemplo, durante un corte de tala.


16.2 Cómo soltar el freno de la cadena

⚠ ADVERTENCIA

Antes de soltar el freno de la cadena y de encender la motosierra, asegúrese de que la espada y la cadena estén alejadas del cuerpo y de todos los demás obstáculos y objetos, incluido el suelo. 📖 6.5.

Al soltar el freno de la cadena, la cadena se desbloquea.
Para soltar el freno de la cadena:




- Coloque el protector delantero de la mano en la posición  , hacia el mango delantero.

Oírás un clic cuando el protector delantero de mano alcance la posición de desbloqueo. En esta posición, el freno de la cadena se suelta y la sierra puede encenderse.

16.3 Mantenimiento del freno de la cadena

ADVERTENCIA



Si el freno de cadena no recibe un mantenimiento adecuado, la cadena de aserrado podría demorar más en detenerse después de la activación, o directamente no activarse o detenerse.  7.2. El freno de cadena está sujeto al desgaste según la cantidad de uso, las condiciones en que se usa la sierra y otros factores. El desgaste excesivo reducirá la eficacia del freno de la cadena y lo puede dejar inoperante.

- La motosierra debe entregarse al concesionario de servicio STIHL autorizado para la inspección y el servicio periódicos del sistema de freno de acuerdo con los intervalos indicados a continuación:
 - Uso intenso: cada 3 meses
 - Uso parcial: cada 6 meses
 - Uso ocasional: cada 12 meses


17 Colocación y extracción de la batería.

17.1 Colocación de la batería

ADVERTENCIA

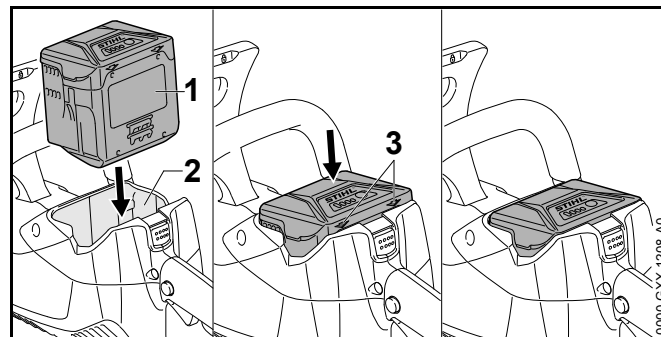
Nunca use una batería defectuosa, dañada, agrietada, deformada o que pierda líquido.  9. Utilice y guarde la batería únicamente a una temperatura ambiente de -10 °C a 50 °C (14 °F a 122 °F),  9.

ADVERTENCIA

Para reducir el riesgo de activación accidental, nunca guarde la batería en la motosierra.  22.2.


Para colocar la batería:

- Accione el freno de la cadena.  16.1.



- Coloque la motosierra en una superficie nivelada.
- Coloque la batería (1) en el compartimento correspondiente (2) hasta que se escuche un clic. En esta posición, las flechas (3) en la batería todavía están visibles y la batería se bloquea en el compartimento. Sin embargo, no hay contacto eléctrico entre la batería y la motosierra.

- ▶ Para suministrar energía a la motosierra, empuje la batería en el compartimiento correspondiente hasta que se detenga.
La batería se ha colocado correctamente cuando se escucha un segundo clic y esta queda al ras con la parte superior de la carcasa. En esta posición, hay contacto eléctrico entre la batería y la motosierra.

Debido a que las baterías nuevas no están completamente cargadas, STIHL recomienda cargarla por completo antes de usarla por primera vez.  13.

17.2 Extracción de la batería

ADVERTENCIA

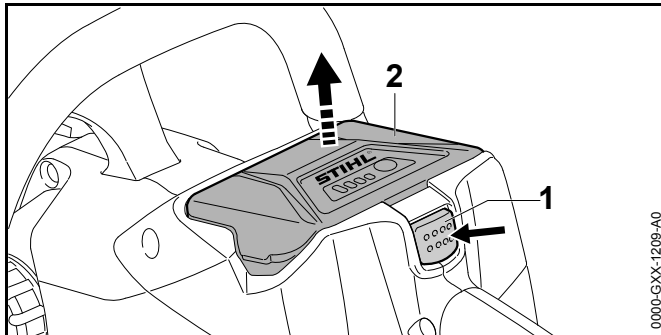
Para reducir el riesgo de sufrir lesiones personales graves debido a la activación accidental, siempre quite la batería antes de armar, transportar, ajustar, limpiar, reparar o guardar la motosierra o cuando no esté en uso.

ADVERTENCIA

Tenga cuidado al sacar la batería para evitar que se caiga y cause daños a la propiedad o lesiones personales.

Para quitar la batería:

- ▶ Suelte el gatillo.
- ▶ Coloque la motosierra en una superficie nivelada.



- ▶ Presione la palanca de bloqueo (1) para quitar la batería (2) de su compartimiento.


INDICACIÓN


Evite exponer la batería a calor excesivo o períodos prolongados de luz directa. El uso o el almacenamiento fuera del rango de temperatura ambiente recomendado pueden reducir el rendimiento o la vida útil de la batería.

18 Encendido y apagado de la motosierra

18.1 Encendido

ADVERTENCIA

Nunca opere la motosierra si está modificada, dañada, mal ajustada o reparada, no fue armada completa y debidamente o no funciona de manera correcta.  6.4.

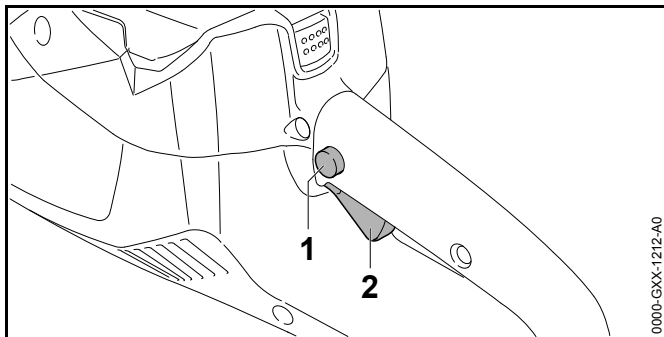
Para reducir el riesgo de lesiones personales, use siempre ropa adecuada y trajes protectores, incluyendo protección adecuada de los ojos cuando utiliza la motosierra.  6.3.

Al encender la motosierra:


- ▶ Asegúrese de tener los pies bien apoyados.
- ▶ Párese derecho.
- ▶ Siempre sujete y maneje la motosierra firmemente con la mano derecha en el mango trasero o el mango de control y la mano izquierda en el mango delantero. Siempre sujete la motosierra con las dos manos de esta manera, ya sea surdo o diestro.

Para encender la motosierra:

- ▶ Suelte el freno de la cadena.  16.2.



- ▶ Mantenga oprimido el bloqueo del gatillo (1) con el pulgar.
- ▶ Mientras mantiene oprimido el bloqueo del gatillo, oprima el gatillo (2) con su dedo índice.
La cadena de aserrado comenzará a girar.

El motor no se pondrá en marcha a menos que el protector de la mano se haya colocado en la posición , y el bloqueo del gatillo y el gatillo se opriman al mismo tiempo. Una vez que el gatillo esté activado y la sierra esté funcionando, no es necesario que el operador siga pulsando el bloqueo del gatillo.

18.2 Apagado

ADVERTENCIA

La motosierra sigue girando por un rato después de que se suelta el gatillo de aceleración. Para evitar lesiones graves o fatales, evite el contacto con la motosierra en movimiento. Para reducir el riesgo de lesiones personales causadas por la activación accidental o el uso no autorizado, apague el motor, asegúrese de que la cadena se haya detenido, active el freno de la cadena y retire la batería antes de transportar o de bajar la motosierra.

Para apagar la motosierra:

- ▶ Suelte el gatillo para que este pueda regresar a la posición de bloqueo. En la posición de bloqueo, el bloqueo del gatillo vuelve a bloquear la activación. La cadena de aserrado sigue girando por un rato después de que se suelta el gatillo.




19 Revisión de la motosierra

19.1 Control del funcionamiento del freno de la cadena

ADVERTENCIA

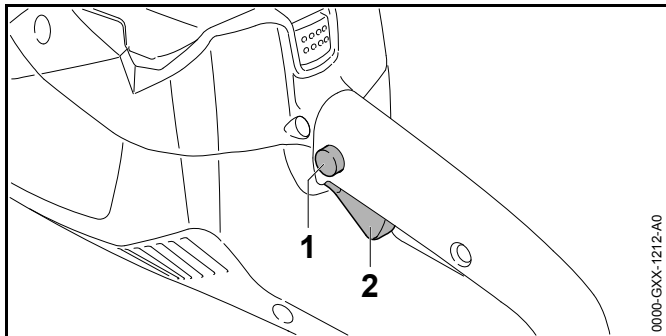
El uso de la sierra sin un freno de cadena o con uno dañado, modificado o que no se haya mantenido correctamente aumenta el riesgo de lesiones graves o fatales a causa de contragolpes. Nunca intente modificar o desactivar el freno de la cadena. Nunca use una motosierra si el freno de la cadena se ha modificado o no funciona correctamente. Si detecta un cambio en las características de funcionamiento del freno de la cadena, haga que un concesionario de servicio STIHL autorizado lo repare inmediatamente.

Antes de comenzar a trabajar, compruebe el funcionamiento del freno de la cadena:

- ▶ Suelte el freno de la cadena.  16.2.
- ▶ Encienda la motosierra.  18.1.
- ▶ Accione el freno de la cadena colocando el protector delantero de la mano en la posición , lejos del mango delantero.
Un freno de cadena que funcione correctamente detendrá la cadena en fracciones de un segundo.
- ▶ Si el freno de la cadena no detiene la cadena en fracciones de un segundo, haga que un concesionario de servicio STIHL autorizado lo inspeccione y repare.

19.2 Prueba de los controles

Antes de comenzar a trabajar, confirme que el bloqueo del gatillo (1) y el gatillo (2) estén libres de daños y funcionen correctamente.



Bloqueo de gatillo (1) y gatillo (2)

! ADVERTENCIA

Para reducir el riesgo de lesiones graves o mortales, mantenga las manos, los pies y cualquier otra parte del cuerpo alejados de la cadena de aserrado. No toque la cadena de aserrado mientras la batería está colocada. No toque nunca con las manos o cualquier parte del cuerpo la cadena de aserrado que está en movimiento. 6.5.2. Mantenga a las demás personas alejadas de la zona mientras prueba los controles.

Para probar los controles:

- ▶ Retire la batería.
- ▶ Intente oprimir el gatillo.
Si el gatillo se puede presionar sin antes oprimir el bloqueo del gatillo, lleve la motosierra a un concesionario de servicio STIHL autorizado para que la reparen antes de utilizarla.

- ▶ Inserte la batería y sujete la motosierra firmemente con la mano izquierda sobre el mango delantero y la mano derecha sobre el mango trasero. Suelte el freno de la cadena y encienda la motosierra presionando el bloqueo del gatillo y el gatillo.

Si la cadena no empieza a girar, accione el freno de la cadena y retire la batería. Lleve la motosierra a un concesionario de servicio STIHL autorizado para que la reparen antes de usarla.

- ▶ Inserte la batería y sujete la motosierra firmemente con la mano izquierda sobre el mango delantero y la mano derecha sobre el mango trasero. Suelte el freno de la cadena y encienda la motosierra presionando el bloqueo del gatillo y el gatillo. Luego suelte el gatillo.

Si la cadena de aserrado no deja de girar al soltar el gatillo, accione el freno de la cadena y retire la batería. Lleve la motosierra a un concesionario de servicio STIHL autorizado para que la reparen antes de usarla.


19.3 Prueba de la lubricación de la cadena de aserrado

! ADVERTENCIA

Nunca haga funcionar la sierra si la espada y la cadena no están lubricadas. Si la cadena funciona sin lubricación, el accesorio de corte sufrirá daños permanentes en un lapso muy breve. Una cadena dañada puede romperse y causar lesiones personales graves o fatales. Siempre revise la lubricación de la cadena y el nivel de aceite en el tanque antes de empezar a trabajar y de manera frecuente durante el trabajo.

Para confirmar si el aceite de lubricación de la cadena fluye correctamente:

- ▶ Coloque la batería. 17.1.
- ▶ Suelte el freno de la cadena. 16.2.
- ▶ Dirija la espada hacia una superficie brillante.

- ▶ Encienda la motosierra.  18.1.
La cadena de aserrado debe lanzar una pequeña cantidad de aceite.

Si no se puede ver el aceite de lubricación de la cadena, revise el tanque de aceite.

Rellene el tanque según se requiera.
- ▶ Vuelva a probar la lubricación de la cadena.
- ▶ Si aún no se puede ver el aceite de lubricación de la cadena, el mecanismo de lubricación no funciona. Lleve la motosierra a un concesionario de servicio STIHL autorizado para que la reparen antes de usarla.




20 Después de completar el trabajo

20.1 Preparación para el transporte o el almacenamiento

ADVERTENCIA

Para reducir el riesgo de lesiones personales causadas por la activación accidental o el uso no autorizado, apague la motosierra, accione el freno de la cadena y retire la batería antes de transportar la motosierra o de bajarla. Para reducir el riesgo de lesiones a causa de cuchillas afiladas en la cadena de aserrado, cubra siempre la espada con la funda antes de transportar o guardar la motosierra.

Para prepara la motosierra para el transporte o el almacenamiento:

- ▶ Apague la motosierra.  18.2.
- ▶ Accione el freno de la cadena.  16.1.
- ▶ Retire la batería.  17.2.
- ▶ Suelte el freno de la cadena y libere la cadena.
- ▶ Vuelva a accionar el freno de la cadena.
- ▶ Deslice la funda de la cadena por la espada de modo que la cubra por completo.
- ▶ Si la batería o la motosierra se humedecieron durante el funcionamiento, déjelas secar por separado y por completo antes de cargarlas o guardarlas.

- ▶ Vuelva a tensar la cadena de aserrado antes de usar la motosierra.

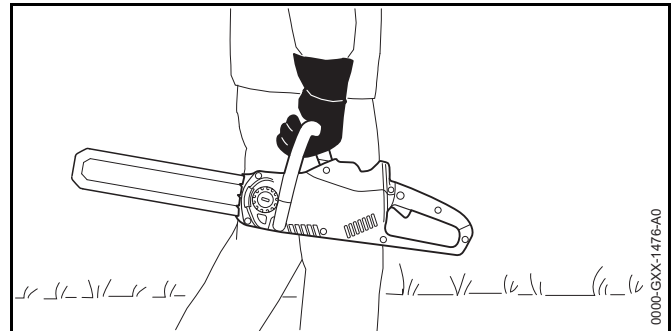
INDICACIÓN

No liberar la cadena después de finalizar el trabajo puede dañar el eje impulsor y los cojinetes ya que la motosierra se contrae cuando se enfría.

21 Transporte de la motosierra y de la batería

21.1 Motosierra

Al transportar la motosierra:




- ▶ Deslice la funda de la cadena por la espada de modo que la cubra por completo.
- ▶ Al transportar la sierra con la mano, sosténgala por el mango frontal con la espada apuntando hacia atrás, en dirección opuesta a la que está caminando.
- ▶ Cuando transporte la sierra en un vehículo, cubra la espada con una funda de cadena. Asegure y coloque la motosierra de manera tal que se eviten vuelcos, impactos y daños.

La sierra incluye como equipo estándar una funda para la espada que corresponde al accesorio de corte. Para reducir el riesgo de lesiones al usar espadas de largos diferentes en

la misma motosierra, asegúrese que el largo de la funda sea apropiado para la espada. Deberá cubrir toda la longitud de la espada.

21.2 Batería

ADVERTENCIA

Para reducir el riesgo de cortocircuito, que podría generar una descarga eléctrica, un incendio o una explosión, nunca transporte la batería en un contenedor metálico o cerca de objetos de metal (por ejemplo, presillas de papel, clavos, monedas, llaves).  9.

Al transportar la batería:

- ▶ Coloque la batería en un contenedor o una caja no metálicos y protéjala de impactos o daños. Nunca transporte la batería en un envase metálico, ni en un envase junto con objetos metálicos (por ejemplo, presillas para papel, clavos, monedas, llaves).
- ▶ Si transporta la batería en un vehículo, asegúrela junto con su contenedor para prevenir vuelcos, impactos y daños.

Las baterías STIHL cumplen con los requisitos descritos en el Manual UN ST/SG/AC.10/11/Ver.5/Parte III, Subsección 38.3.

El transporte comercial por aire, agua y tierra de celdas de ion de litio y baterías está regulado. Esta batería está clasificada como un producto UN 3480, Clase 9 y grupo de envasado II. Para transportarla, ya sea como parte de la herramienta completa o sola, es necesario cumplir con todas las normas de transporte correspondientes. Antes del transporte o traslado, consulte con la empresa de transporte por tierra o agua, o bien con la aerolínea de carga o pasajeros, para determinar si el transporte está prohibido o sujeto a restricciones o exenciones.



Por lo general, el usuario no necesita cumplir con ninguna condición adicional para poder transportar baterías STIHL por carretera hasta el sitio donde se encuentra la herramienta eléctrica. Verifique y respete cualquier norma especial que pudiera aplicarse a su situación.

Para obtener más información, visite www.stihlusa.com/battery-transportation-safety (para Canadá: www.stihl.ca).



22 Almacenamiento de la motosierra, de la batería y del cargador

22.1 Motosierra

ADVERTENCIA



Guarde la motosierra bajo techo, en un lugar seco y bajo llave al que los niños y otras personas no autorizadas no puedan acceder.  6.4. Nunca guarde la batería en la motosierra o el cargador. El almacenamiento inadecuado puede provocar uso no autorizado y daños a la motosierra que pueden ocasionar incendio y explosión, y aumento del riesgo de lesiones personales graves y daños a la propiedad.  6.4.

Cuando guarde la motosierra por tres meses o más:


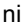
- ▶ Quite las astillas o los escombros del compartimiento de la batería.
- ▶ Quite la cadena de aserrado y la espada
- ▶ Limpie y rocíe la espada con aceite protector.
- ▶ Limpie la motosierra.  23.1.
- ▶ Llene el tanque de aceite de la cadena.  15.4.2.
- ▶ Guarde la motosierra bajo techo, en un lugar seco y bajo llave, fuera del alcance de los niños y de otras personas no autorizadas.

22.2 Batería

ADVERTENCIA

Para reducir el riesgo de cortocircuito, que podría generar una descarga eléctrica, un incendio o una explosión, nunca guarde la batería en un contenedor metálico o cerca de objetos de metal.  9. Si la batería está húmeda o mojada, déjela que se seque completamente antes de guardarla.  9.

⚠ ADVERTENCIA

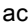
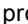
Las altas temperaturas pueden dañar la batería, lo que podría causar la pérdida de rendimiento y acortar su vida útil. También pueden hacer que la batería genere calor, se rompa, pierda líquido, se incendie o explote, lo que podría causar lesiones personales graves o fatales y daño a la propiedad. Utilice y guarde la batería únicamente a una temperatura ambiente de -10 °C a 50 °C (14 °F a 122 °F),  9. No guarde la batería en un lugar con luz solar directa ni dentro de un vehículo en tiempo caluroso,  9.

Para almacenar la batería correctamente:

- ▶ Extraiga la batería de la motosierra o del cargador.
- ▶ Compruebe que la batería esté seca y guárdela bajo techo, en un lugar seco y bajo llave.
- ▶ Manténgase fuera del alcance de los niños y de otras personas no autorizadas.
- ▶ Proteja la batería contra la humedad y los agentes corrosivos, como productos químicos de jardinería y sales de deshielo.
- ▶ Para obtener la duración máxima de la batería, guarde la batería en una temperatura ambiente de entre 10 °C y 20 °C (50 °F y 68 °F) con una carga de entre el 40 % y el 60 % (2 LED iluminados en verde).
- ▶ No deje sueltas las baterías que no se utilizan. Rótelas.

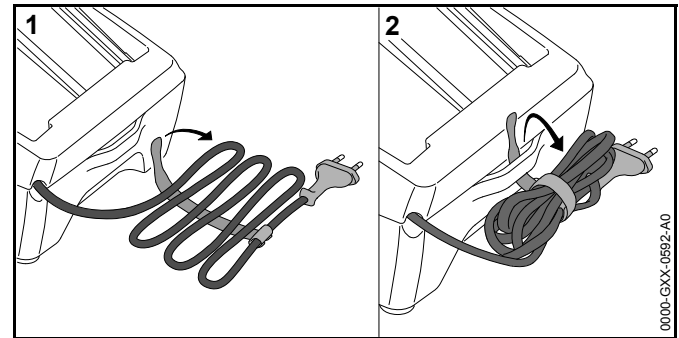
22.3 Cargador

⚠ ADVERTENCIA

Guarde el cargador bajo techo, en un lugar seco y bajo llave al que los niños y otras personas no autorizadas no puedan acceder.  10. El almacenamiento inadecuado puede provocar uso no autorizado, uso incorrecto o daños al cargador que pueden ocasionar incendio y aumento del riesgo de lesiones personales graves y daños a la propiedad.  10.

Para almacenar el cargador correctamente:

- ▶ Retire la batería del cargador.
- ▶ Desconecte el cargador del tomacorriente de pared.




- ▶ Enrolle el cordón eléctrico y sujételo al cargador.
- ▶ Guarde el cargador bajo techo, en un lugar seco y bajo llave.
- ▶ Mantenga el cargador fuera del alcance de los niños y de otras personas no autorizadas.

23 Limpieza

23.1 Limpieza de la motosierra, de la batería y del cargador

⚠ ADVERTENCIA

Para reducir el riesgo de lesiones personales por la activación accidental, quite la batería y accione el freno de la cadena antes de realizar el trabajo de limpieza.  11.1. Los usuarios de esta motosierra deben efectuar únicamente la limpieza descrita en este manual.

Para limpiar la motosierra, la batería y el cargador:

- ▶ Limpie los componentes plásticos de la motosierra con un paño levemente humedecido. No use detergentes o solventes. Estos pueden dañar los componentes de polímero.
- ▶ Quite la cubierta del piñón y limpie el área alrededor del piñón de la cadena con un paño levemente humedecido o un solvente de resinas, como el lubricante y eliminador de resinas STIHL.

- ▶ No utilice una hidrolavadora para limpiar la motosierra ni la rocíe con agua u otros líquidos.
- ▶ Mantenga la carcasa de la batería y las guías sin materias extrañas y limpie según sea necesario con cepillo suave o un paño suave y seco.
- ▶ Mantenga la carcasa y los contactos eléctricos del cargador libres de materias extrañas. Efectúe la limpieza necesaria con un cepillo suave o un paño suave y seco. Siempre desenchufe el cargador antes de limpiarlo.

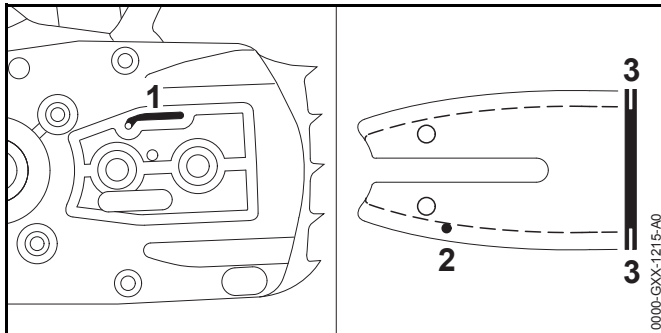
23.2 Limpieza de la espada y la cadena de aserrado

⚠ ADVERTENCIA

Para reducir el riesgo de lesiones personales por la activación accidental, quite la batería y accione el freno de la cadena antes de realizar el trabajo de limpieza. 11.1. Los usuarios de esta motosierra solo deben llevar a cabo la limpieza tal como se describe en este manual. Para ayudar a prevenir lesiones, use siempre guantes resistentes al manipular la motosierra.

Para limpiar correctamente la espada y la cadena de aserrado:

- ▶ Quite la espada y la cadena de aserrado. 15.2.2.



- ▶ Limpie el conducto de salida de aceite (1), el orificio de entrada de aceite (2) y la ranura (3) con un cepillo, un paño levemente humedecido o un solvente de resinas, como el lubricante y eliminador de resinas STILH. No use detergentes.

- ▶ Limpie la cadena de aserrado con un cepillo, un paño levemente humedecido o un solvente de resinas. No use detergentes.
- ▶ No utilice una hidrolavadora para limpiar la espada o la cadena de aserrado ni las rocíe con agua u otros líquidos.

24 Inspección y mantenimiento

24.1 Inspección y mantenimiento de la motosierra

⚠ ADVERTENCIA


Para reducir el riesgo de lesiones personales por la activación accidental, quite la batería antes de inspeccionar la motosierra o realizar cualquier mantenimiento. 11. Realice únicamente los trabajos de mantenimiento descritos en este manual. No hay reparaciones autorizadas para los usuarios. STIHL recomienda que los concesionarios de servicio STIHL autorizados efectúen los trabajos de reparación.

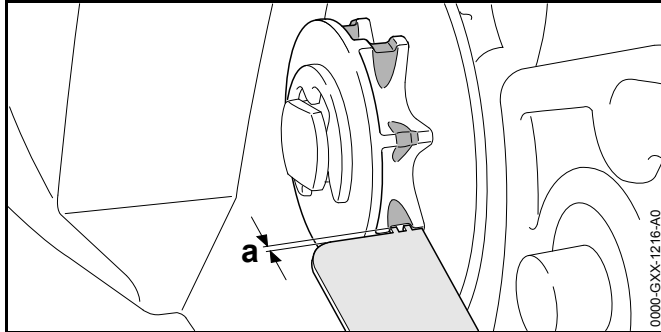
El mantenimiento adecuado de la motosierra incluye las siguientes actividades:

- ▶ Solicitar a un concesionario de servicio STILH autorizado que inspeccione el piñón de la cadena periódicamente y lo reemplace si está gastado.
- ▶ Inspeccionar que la espada tenga una expansión y profundidad de ranura adecuadas, y reemplazarla si muestra signos de desgaste o daños excesivos.
- ▶ Afilar periódicamente la cadena, mantener las guías de limitación de profundidad a una altura adecuada y reemplazar la cadena de aserrado cuando las marcas de desgaste relevantes lo indiquen o cuando la cadena esté dañada o muestre signos de desgaste excesivo.
- ▶ Si las etiquetas de seguridad están dañadas o faltan, solicite etiquetas de repuesto a un concesionario de servicio STIHL autorizado.

Si usted está reclamando cobertura de garantía para algún componente que no ha sido reparado o mantenido debidamente, es posible que se deniegue la garantía.

24.2 Revisión y mantenimiento del piñón de cadena

- ▶ Apague la motosierra, accione el freno de la cadena y quite la batería.
- ▶ Suelte el freno de la cadena.  16.2.
- ▶ Quite la cubierta del piñón, la cadena de aserrado y la espada.




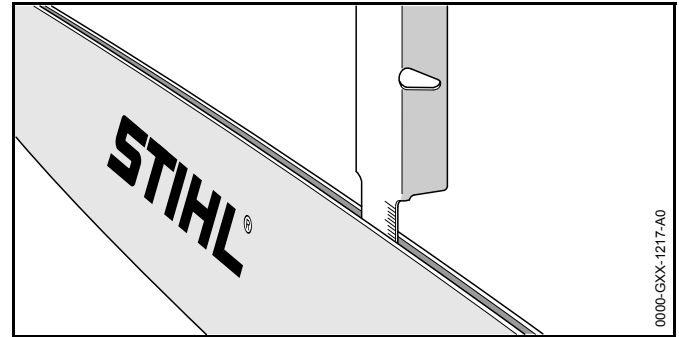
- ▶ Revise si hay marcas de desgaste en la cubierta del piñón de la cadena.
- ▶ Si las marcas de desgaste son más profundas que 0,020 pulg (0,5 mm), reemplace el piñón de la cadena.


STIHL recomienda el uso de piñones de cadena originales de STIHL para asegurar el funcionamiento óptimo del freno de cadena.

Alternar entre las dos cadenas de aserrado ayuda a reducir el desgaste y a preservar el piñón de la cadena.

24.3 Inspección y mantenimiento de la espada

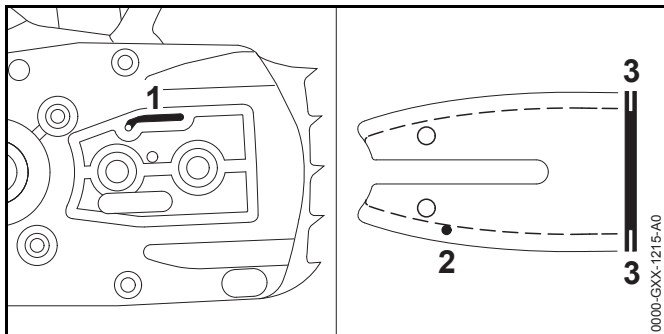
- ▶ Apague la motosierra, accione el freno de la cadena y quite la batería.
- ▶ Retire la espada y la cadena de aserrado  15.2.2.



- ▶ Mida la profundidad de la ranura de la espada en el área con el mayor desgaste usando la herramienta de medición en el calibrador de afilado (accesorio especial, no incluido).
- ▶ Reemplace la espada si la profundidad medida es menor a las profundidades mínimas requeridas mencionadas en  26.3.
- ▶ Revise la expansión de la ranura de la espada con la herramienta de medición en el calibrador de limado.
- ▶ Reemplace la espada si la ranura se estrechó, se expandió o muestra signos de desgaste o daño significativos.

Para realizar el mantenimiento de la espada:

- ▶ Dé vuelta la espada después de cada afilado y cada vez que la cadena se cambie para evitar el desgaste desparejo. La espada no tiene una "parte superior" o "parte inferior". Puede usarse en cualquier orientación, aunque la impresión de la espada esté para abajo.



- ▶ Limpie regularmente el orificio de entrada de aceite (1), el conducto de aceite (2) y la ranura de la espada (3).
- ▶ Quite periódicamente las rebabas metálicas que se puedan formar en la espada con una lima plana o una herramienta rectificadora de espada STIHL.
- ▶ Reemplace la espada si las rebabas no se pueden limar o si la espada se daña.

24.4 Inspección, mantenimiento y afilado de la cadena de aserrado

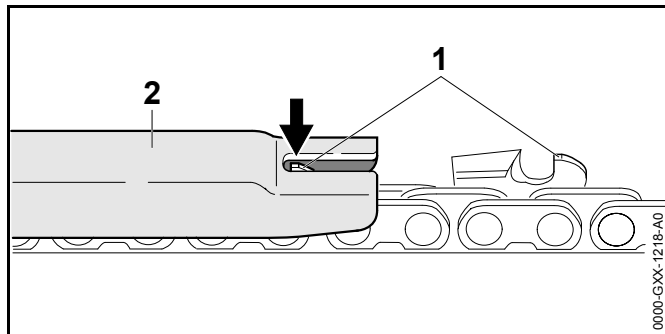
⚠ ADVERTENCIA

Una cadena de aserrado afilada incorrectamente puede aumentar el riesgo de contragolpe y otras fuerzas reactivas, lo que puede causar lesiones personales graves o la muerte. Por ejemplo, los calibradores de profundidad demasiado bajos o las cuchillas afiladas incorrectamente pueden aumentar la tendencia a contragolpes de la motosierra y pueden aumentar las fuerzas de contragolpe, lo que dificulta el control de la sierra. Siempre revise y cumpla con los ángulos y las dimensiones de afilado recomendados por STIHL al controlar o afilar la cadena de aserrado.

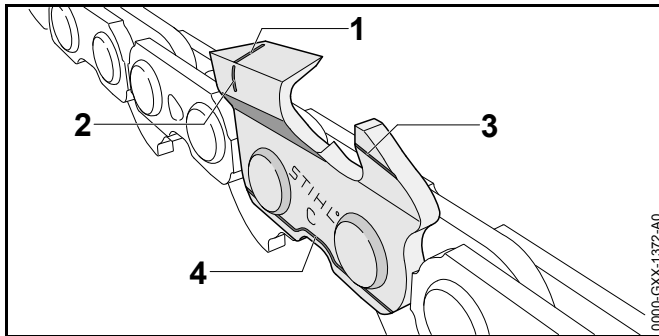
⚠ ADVERTENCIA

No use nunca una cadena de aserrado que esté roma o dañada. Esto genera un mayor esfuerzo físico, una mayor carga de vibración, resultados de corte no satisfactorios y un mayor desgaste. Si las astillas de corte son finas, más similares a aserrín, es probable que la cadena esté roma.

- ▶ Apague la motosierra, accione el freno de la cadena y quite la batería.



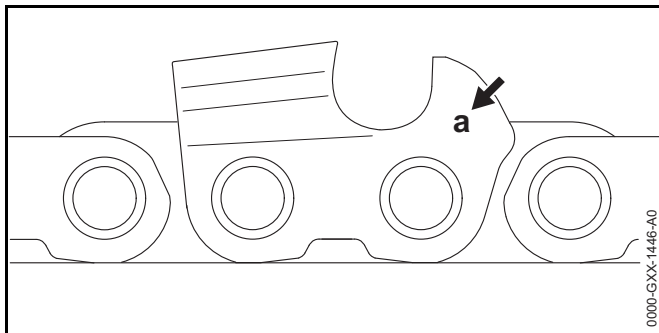
- ▶ Compruebe la altura del calibrador de profundidad (1) con un calibrador de afilado STIHL (2) que corresponda con el paso de la cadena de aserrado.
- ▶ Si el calibrador de profundidad sobresale por encima del calibrador de afilado, lime el primero a la altura adecuada.
- ▶ Trabaje con mucho cuidado. No lime el calibrador de profundidad demasiado bajo. Un calibrador de profundidad demasiado bajo debe ser reemplazado y afilado por un concesionario de servicio STIHL autorizado, ya que puede aumentar la tendencia a contragolpes de la motosierra y aumentar las fuerzas de contragolpe.



La cadena de aserrado STIHL está fabricada con marcas de desgaste para ayudar al operador a identificar el desgaste excesivo. Las marcas de desgaste que se muestran arriba (1 - 4) deben permanecer visibles.

- ▶ Reemplace la cadena de aserrado si las marcas de desgaste ya no son visibles.
- ▶ Compruebe el ángulo de afilado de las cuchillas con un calibrador de afilado STIHL que corresponda con el paso de la cadena de aserrado. 26.4.
- ▶ Si el ángulo de afilado es incorrecto, lime las cuchillas al ángulo adecuado. 26.4.
- ▶ Si no puede lograr el ángulo correcto, o sospecha que no lo ha logrado, solicite que un concesionario de servicio STIHL autorizado afile la cadena de aserrado.

Una cadena limada incorrectamente puede ser muy peligrosa y aumentar la tendencia de la motosierra a contragolpe y otras fuerzas reactivas.



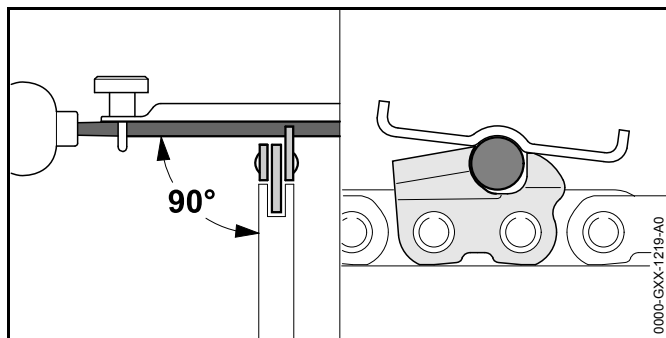
La marca (a) de paso de la cadena está trabada en la zona del calibrador de profundidad de cada cuchilla.

Estas marcas pueden significar lo siguiente:

Marca (a)	Paso de la cadena de aserrado
1	1/4 pulg
2	0,325 pulg
3	3/8 pulg
4	0,404 pulg
6	3/8 pulg Picco
7	1/4 pulg Picco

Para afilar la cadena de aserrado:

- ▶ Apague la motosierra, accione el freno de la cadena y quite la batería.
- ▶ Seleccione una lima de cadena de aserrado con un diámetro acorde al paso de la cadena de aserrado. Otras limas no son adecuadas y pueden hacer que la cadena quede mal afilada, lo que puede aumentar la posibilidad y la fuerza de contragolpe u otras fuerzas reactivas.
- ▶ Fije la espada si es necesario para facilitar el afilado.
- ▶ Para hacer que la cadena de aserrado avance, primero suelte el freno de la cadena. 16.2.
- ▶ Use un portalimas. Los portalimas tienen marcas que designan el ángulo de afilado adecuado.
- ▶ Lime todas las cuchillas con un ángulo idéntico. Por lo general, dos o tres pasadas de la lima son suficientes para un afilado simple. Quite un poco de material con cada pasada, El afilado a diversos e inconsistentes ángulos y alturas puede ser muy peligroso y puede hacer que la cadena de aserrado funcione de manera despereja y aumentar el desgaste, hasta el punto de romperla. También puede aumentar la tendencia de la motosierra a contragolpe y otras fuerzas reactivas.



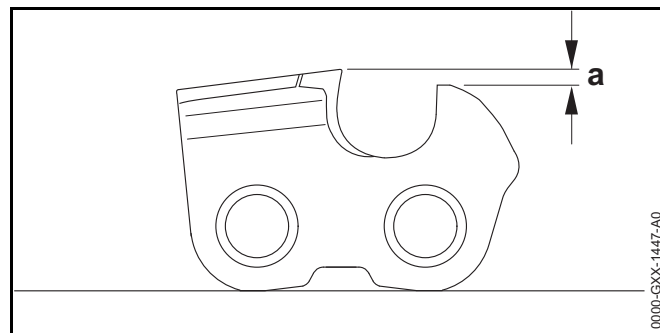
- ▶ Guíe la lima horizontalmente al ángulo correcto al lado de la superficie de la espada de acuerdo con el ángulo especificado.
- ▶ Lime únicamente desde el interior de la cuchilla hacia afuera.
- ▶ Levante la lima en la pasada de vuelta. La lima afila solamente en la pasada de ida.
- ▶ No lime las tiras ni los eslabones impulsores.
- ▶ Gire periódicamente la lima para evitar el desgaste desparejo.
- ▶ Para quitar una rebaba de afilado del diente de la cuchilla, pásela por un pedazo de madera dura.
- ▶ Controle el ángulo de afilado con un calibrador de afilado.

Todas las cuchillas deben ser de igual longitud y deben limarse hasta el largo de la cuchilla más corta. De lo contrario, aumentará la tendencia a contragolpe de la motosierra y otras fuerzas reactivas.

STIHL recomienda que un concesionario de servicio STIHL autorizado afile la cadena de aserrado para reducir el riesgo de lesiones graves o fatales a causa del afilado incorrecto de la cadena.

! ADVERTENCIA

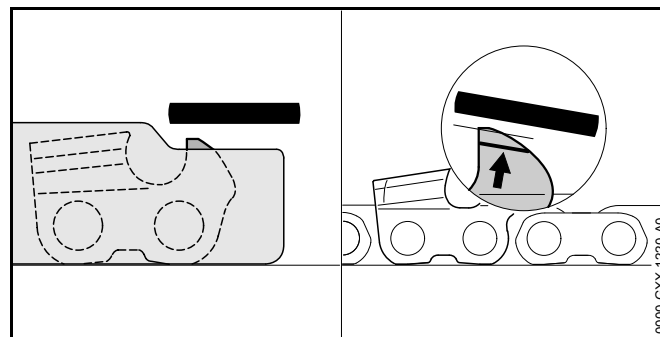
Los calibradores de profundidad que son demasiado bajos aumentan la tendencia a contragolpe de la motosierra y otras fuerzas, lo que puede generar un mayor riesgo de lesiones personales graves. Mantenga siempre la distancia (a) adecuada entre el calibrador de profundidad y la parte superior de la cuchilla.



El calibrador determina la profundidad a la cual el cortador penetra la madera, y por lo tanto regula el grosor de las astillas.

Un calibrador de profundidad que es demasiado bajo aumentará la tendencia a contragolpe y otras fuerzas reactivas de la motosierra.

Un calibrador de profundidad que es demasiado alto evitará que la cuchilla entre en la pieza y reducirá el rendimiento del corte. Mantenga siempre la distancia (a) requerida entre el calibrador de profundidad y el borde cortante. 26.5.













Para bajar correctamente el calibrador de profundidad:

- ▶ Apoye el calibrador de afilado adecuado para el paso de la cadena sobre la cadena de aserrado y presiónelo contra la cuchilla que se debe controlar. Si el calibrador de profundidad sobresale por encima del calibrador de afilado, debe limarse el calibrador de profundidad.
- ▶ Lime el calibrador de profundidad de modo que quede a ras con el calibrador de afilado.
- ▶ Luego, quite el calibrador de afilado y el borde frontal de la lima del calibrador de profundidad paralelo a la marca de servicio. Al hacer esto, tenga cuidado de no bajar más el punto más alto del calibrador de profundidad.
- ▶ Apoye el calibrador de afilado sobre la cadena de aserrado para comprobar la altura de este. El punto más alto del calibrador de profundidad debe quedar al ras con el calibrador de afilado.
- ▶ Después del afilado, limpie la cadena de aserrado completamente y quite las partículas metálicas y el polvo.
- ▶ Aceite la cadena de aserrado completamente.


25 Guía de solución de problemas

25.1 Motosierra y batería

Siempre retire la batería antes de realizar alguna tarea de inspección, limpieza o mantenimiento.

Condición	LED en batería	Causa	Solución
La motosierra no arranca cuando se la enciende.		No hay contacto eléctrico entre la motosierra y la batería.	<ul style="list-style-type: none"> ▶ Retire la batería.  17.2. ▶ Accione el freno de la cadena.  16.1. ▶ Inspeccione visualmente los contactos eléctricos en el compartimiento de la batería y en la batería. ▶ Vuelva a colocar la batería.  17.1.
	Un LED destella en verde.	La batería tiene poca carga.	▶ Cargue la batería.  13.
	Un LED se enciende en rojo.	La batería está muy caliente/fría.	▶ Deje que la batería se caliente o se enfríe gradualmente a temperaturas ambiente de aproximadamente 10 °C a 20 °C (50 °F a 68 °F).
	Cuatro LED destellan en rojo.	Batería averiada.	<ul style="list-style-type: none"> ▶ Quite la batería y vuelva a colocarla.  17. ▶ Encienda la motosierra.  18.1. ▶ Si los LED siguen destellando, no intente usar. La batería está averiada y es necesario reemplazarla.
	Tres LED se encienden en rojo.	La motosierra está demasiado caliente.	▶ Deje que la motosierra se enfríe.
	Tres LED destellan en rojo.	La motosierra está averiada.	<ul style="list-style-type: none"> ▶ Quite la batería y vuelva a colocarla.  17 ▶ Encienda la motosierra.  18.1. ▶ Si los LED siguen destellando, no intente usar. La motosierra tiene una avería y debe ser revisada por un concesionario de servicio.
La motosierra se apaga durante el funcionamiento	Un LED se enciende en rojo.	La batería está muy caliente/fría.	<ul style="list-style-type: none"> ▶ Retire la batería.  17.2. ▶ Accione el freno de la cadena.  16.1. ▶ Deje que la motosierra y la batería se enfríen gradualmente a temperaturas ambientes de aproximadamente 50 °F a 68 °F (10 °C a 20 °C).
	Tres LED se encienden en rojo.	La motosierra está demasiado caliente.	

Siempre retire la batería antes de realizar alguna tarea de inspección, limpieza o mantenimiento.

Condición	LED en batería	Causa	Solución
La duración de uso es demasiado corta.		La batería no está completamente cargada.	► Cargue la batería.  13.
		Se alcanzó o se superó la vida útil de la batería.	► Solicite a un concesionario de servicio STIHL autorizado que revise la batería.
La batería no se carga a pesar de que el LED del cargador se enciende en verde.	Un LED se enciende en rojo.	La batería está muy caliente/fría.	<ul style="list-style-type: none"> ► Deje que la batería se caliente o se enfríe gradualmente a temperaturas ambiente de aproximadamente 10 °C a 20 °C (50 °F a 68 °F). ► Utilice el cargador únicamente en lugares cerrados y secos a temperaturas ambiente de 41 °C a 104 °C (5 °F a 40 °F).

25.2 Cargador

Condición	LED del cargador	Causa	Solución
El LED del cargador destella en rojo.	El LED destella en rojo.	No hay contacto eléctrico entre el cargador y la batería.	► Retire la batería y vuelva a insertarla en el cargador.
		La batería funciona mal.	<ul style="list-style-type: none"> ► Retire la batería y vuelva a insertarla en el cargador. ► Si el LED sigue destellando, no intente cargar la batería. Si los 4 LED de la batería destellan, la batería está averiada y es necesario reemplazarla. De lo contrario, solicite a un concesionario de servicio STIHL autorizado que revise la batería.
		Cargador averiado.	► Solicite a un concesionario de servicio STIHL autorizado que revise el cargador.

26 Especificaciones

26.1 STIHL MSA 140 C

Destinado para el uso doméstico.

- Tipo de batería aprobada: Serie STIHL AK
- Peso sin la batería, la espada y la cadena de aserrado: 4,6 lb (2,1 kg)
- Volumen máximo del tanque de aceite: 3,7 oz (0,11 l)

26.2 Piñones de cadena

- 6 dientes para Picco de 1/4 pulg

26.3 Profundidad de ranura mínima para las espadas

La profundidad de ranura mínima de una espada depende del paso de esta.

- 1/4 pulg Picco: 4 mm (0,157 pulg)

26.4 Ángulo de afilado de las cadenas de aserrado

- 71 PM3, (Tipo 3670): 30°

26.5 Ajuste de calibrador de profundidad

El ajuste del calibrador de profundidad de una cadena de aserrado depende del paso de esta.

- 1/4 pulg P: 0,45 mm (0,018 pulg)

26.6 Batería STIHL serie AK

Tipo de cargador aprobado: Serie AL STIHL

- Tecnología de la batería: Ion de litio
- Voltaje: 36 V
- Capacidad en Ah: Ver chapa de identificación
- Contenido energético en Wh: Ver chapa de identificación

- Peso en kg: Ver chapa de identificación
- Rango de temperatura ambiente permitido durante el uso o el almacenamiento: 14 °F a 122 °F (-10 °C a 50 °C)


Para obtener una lista completa de tiempos de carga aproximados, visite www.stihl.com/charging-times.


26.7 STIHL AL 101



- Voltaje de alimentación: 120 V
- Corriente nominal: 1,3 A
- Frecuencia: 60 Hz
- Corriente de carga: 1,5 A
- Potencia nominal: 75 W
- Aislamiento: Clase II (aislamiento doble)
- Rango de temperatura ambiente permitido durante la carga: 41 °F a 104 °F (5 °C a 40 °C)

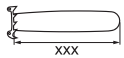
26.8 Símbolos de la motosierra, de la batería y del cargador

Símbolo	Explicación
V	Voltio
Hz	Hercio
A	Amperio
Ah	Amperio-hora
W	Vatio
Wh	Vatio-hora
AC	Corriente alterna
IP20	Grado de protección eléctrica

 Accione el freno de la cadena.

 Suelte el freno de la cadena.

 Depósito de aceite de la cadena




Largo de la espada máximo



Sentido de rotación de la cadena de aserrado



Giérela en sentido horario para tensar la cadena de aserrado.



Marca de certificación del grupo CSA. Los aparatos que llevan esta marca han sido certificados según normas nacionales por el organismo de certificación externa de CSA.



Los productos STIHL no se deben desechar junto con la basura del hogar, sino en conformidad con las leyes y normas locales, estatales y federales provistas en este manual. 29.



Corriente continua



Cantidad de celdas y contenido energético según las especificaciones del fabricante de celdas. El contenido energético disponible en ciertos usos específicos es más bajo.



El sello de la RBRC indica que STIHL ya aportó dinero para el reciclado de la batería.



Lea el manual.



Aislamiento: Clase II (aislamiento doble)



Úselo y guárdelo bajo techo y en un recinto seco.



Comisión de Energía de California. Este sistema de batería cumple con los requisitos de eficiencia energética de la Comisión de Energía de California.



Código del fabricante

26.9 Declaración de cumplimiento con norma FCC 15

Este dispositivo cumple con la parte 15 de las normas de la FCC.

El funcionamiento está sujeto a las dos condiciones dadas a continuación:

- este dispositivo no deberá causar interferencias nocivas.
- este dispositivo deberá aceptar todas las interferencias que reciba, incluso las interferencias que pudieran causar un funcionamiento no deseado.

Nota: Este equipo ha sido probado y se ha hallado que satisface los límites correspondientes a un dispositivo digital Categoría B, según la parte 15 de las normas de la FCC. Estos límites están diseñados para ofrecer protección razonable contra las interferencias nocivas en una instalación residencial. Este equipo genera, utiliza y puede irradiar energía a radiofrecuencias y, si no se lo instala y utiliza conforme a las presentes instrucciones, podría causar interferencias nocivas para las comunicaciones por radio. No obstante, no se ofrece garantía alguna de que la interferencia no ocurrirá en una instalación particular.

Si este equipo llega a causar interferencias nocivas para la recepción de señales de radio o televisión, lo cual puede determinarse por medio del encendido y apagado del equipo, se recomienda al usuario corregir las interferencias tomando una o más de las medidas siguientes:

- reoriente o cambie la ubicación de la antena de recepción,
- aumente la separación entre el equipo y el receptor,
- conecte el equipo a un tomacorriente que forme parte de un circuito diferente al cual se ha conectado el receptor,
- consulte a un concesionario de servicio STIHL autorizado o a un técnico de radio/TV experto para recibir ayuda.

No cambie ni modifique este producto en modo alguno, a menos que se le indique específicamente hacerlo en este manual, puesto que podría anular la autoridad de usarlo.

27 Combinaciones de espadas y cadenas de aserrado

27.1 STIHL MSA 140 C

Paso	Grueso del eslabón impulsor/Ancho de la ranura	Largo	Espada	Cantidad de dientes del piñón	Número de eslabones impulsores	Cadena de aserrado
1/4 pulg P	1,1 mm	25 cm (10 pulg)	Rollomatic E Mini	8	56	71 PM3, (Tipo 3670)
		30 cm (12 pulg)			64	

Las combinaciones de espadas y cadenas de aserrado mencionadas anteriormente cumplen con el requisito de ángulo de contragolpe calculado de 45° de UL 60745-2-13 (para Canadá: CSA Z 62.3) cuando se utilizan en este modelo de motosierra con el piñón correspondiente que se indica anteriormente.

Use las espadas o cadenas de aserrado de reemplazo solo como se indicó anteriormente o como lo indica STIHL en conformidad con el requisito de ángulo de contragolpe calculado de 45° de UL 60745-2-13 (para Canadá: CSA Z 62.3) cuando se utilizan en este modelo de motosierra.

Las espadas especificadas son las espadas de contragolpe reducido con etiqueta verde STIHL. Las cadenas de aserrado especificadas son las cadenas de aserrado de bajo contragolpe con etiqueta verde STIHL.


Debido a la posibilidad de que nuevas combinaciones de espada/cadena hayan sido desarrolladas después de la publicación de este manual, consulte con su concesionario STIHL acerca de las recomendaciones más recientes de STIHL.

28 Piezas y equipos de repuesto

28.1 Piezas de repuesto originales de STIHL

STIHL recomienda el uso de piezas de repuesto originales de STIHL. Es posible identificar las piezas originales de STIHL por el número de pieza STIHL, el logotipo de

STIHL[®]

y, en ciertos casos, el símbolo  de piezas STIHL. En las piezas pequeñas el símbolo puede aparecer solo.

- ▶ Comuníquese con un concesionario de servicio STIHL autorizado para obtener la información más actualizada acerca de la eliminación de desechos.
- ▶ Recicle las baterías agotadas rápidamente.
- ▶ Mantenga las baterías alejadas de los niños. No desarme el producto ni lo incinere.



STIHL está comprometida con el desarrollo de productos que protejan el medio ambiente. Este compromiso no termina cuando el producto sale del concesionario de servicio STIHL autorizado. STIHL se asoció con la RBRC (Corporación de Reciclaje de Baterías Recargables) para fomentar la recolección y el reciclado de baterías de ion de litio STIHL en los Estados Unidos y Canadá.

El sello de la RBRC indica que STIHL ya aportó dinero para el reciclado de la batería. El sello de la RBRC lleva impreso un número telefónico gratuito (1-800-822-8837) que le permite acceder a información sobre lugares de reciclaje de baterías y prohibiciones o restricciones respecto del reciclado de baterías en su zona. También puede devolver las baterías a cualquier concesionario de servicio STIHL autorizado para reciclarlas gratuitamente.

29 Eliminación

29.1 Desecho de la motosierra y del cargador

Los productos STIHL no se deben desechar junto con la basura del hogar, sino de la manera en que se detalla en este manual.

- ▶ Lleve la motosierra, el cargador, los accesorios y el embalaje a un vertedero autorizado para reciclarlos y contribuir con el cuidado del medio ambiente.
- ▶ Comuníquese con un concesionario de servicio STIHL autorizado para obtener la información más actualizada sobre eliminación y reciclado.

29.2 Reciclado de las baterías

ADVERTENCIA

Manipule las baterías descargadas/agotadas con cuidado. Aunque parezca que están descargadas, las baterías de ion de litio nunca se descargan completamente y pueden generar una corriente de cortocircuito peligrosa. Si se dañan o exponen a temperaturas altas, pueden perder líquido, generar calor, incendiarse o explotar.

- ▶ Respete todas las leyes y normas federales, estatales y locales sobre eliminación de desechos.

30 Garantía limitada

30.1 Política de garantía limitada de STIHL Incorporated

Este producto se vende sujeto a la Política de garantía limitada de STIHL Incorporated, disponible en <http://www.stihlusa.com/warranty.html>. También puede obtenerlo de un concesionario de servicio STIHL autorizado o llamando al 1-800-GO-STIHL (1-800-467-8445).

31 Marcas comerciales

31.1 Marcas comerciales registradas

STIHL®

STIHL®

La combinación de los colores anaranjado y gris (n.º de registro EE. UU. 2,821,860; 3,010,057; 3,010,058; 3,400,477 y 3,400,476)

AutoCut®

YARD BOSS®

STIHL ROLLOMATIC®

WOOD BOSS®



FARM BOSS®

iCademy®

MAGNUM®

MasterWrench Service®

MotoMix®

OILOMATIC®

Rock Boss®

STIHL Cutquik®

STIHL DUROMATIC®

STIHL Quickstop®

STIHL WOOD BOSS®

TIMBERSPORTS®



STIHL Interchangeable Attachment Series™
TapAction™



STIHL Multi-Cut HomeScaper Series™
STIHL Territory™



Esta lista de marcas comerciales está sujeta a cambios.

Queda terminantemente prohibido todo uso de estas marcas comerciales sin el consentimiento expreso por escrito de ANDREAS STIHL AG & Co. KG, Waiblingen.

32 Direcciones

32.1 STIHL Incorporated

STIHL Incorporated

536 Viking Drive

P.O. Box 2015

Virginia Beach, VA

23452-2015

31.2 Marcas comerciales por ley común

4-MIX™

BioPlus™

Easy2Start™

EasySpool™

ElastoStart™

Ematic™

STIHL Precision Series™

FixCut™

Micro™

Pro Mark™

Quad Power™

Quiet Line™

STIHL Arctic™

STIHL Compact™

HT Plus™

STIHL PowerSweep™

STIHL Protech™

STIHL MiniBoss™

STIHL MotoPlus 4™

Master Control Lever™

STIHL OUTFITTERS™

STIHL PICCO™

TrimCut™

STIHL M-Tronic™

STIHL HomeScaper Series™

STIHL PolyCut™

STIHL RAPID™

STIHL SuperCut™

⚠ WARNING

Use of this chain saw can generate dust and other substances containing chemicals known to the State of California to cause cancer, birth defects or other reproductive harm.

⚠ ADVERTENCIA

El uso de esta motosierra puede generar polvo y otras sustancias que contienen productos químicos considerados por el Estado de California como causantes de cáncer, defectos de nacimiento u otra toxicidad reproductora.

⚠ WARNING

This chain saw, battery and charger contain chemicals known to the State of California to cause cancer, birth defects or other reproductive harm.

⚠ ADVERTENCIA

Esta motosierra, esta batería y este cargador contienen productos químicos considerados por el Estado de California como causantes de cáncer, defectos de nacimiento u otra toxicidad reproductora.

0458-727-8621-A

englisch / spanisch USA



www.stihl.com



0458-727-8621-A