

REMINGTON®

ELECTRIC CHAIN SAW OWNER'S MANUAL



MODELS

RM1215U, RM1415U, RM1415A

IMPORTANT: Read and understand this manual before assembling or operating this chain saw. Improper use of saw can cause severe injury. Keep this manual for future reference.

PART NO. 769-05149 P00

(06/09)



**DO NOT RETURN THIS PRODUCT
NO DEVUELVA ESTE PRODUCTO
NE RAMENEZ PAS CET APPAREIL AU MAGASIN**



Please call the Customer Support Department or visit our website for assistance:

Llame al Departamento de Atención al Cliente o visite nuestro sitio Web para solicitar asistencia:

Pour obtenir de l'aide, veuillez appeler le service à la clientèle ou visitez notre site web :

U.S. - EE.UU. - aux États Unis

1-866-206-2707

Canada - Canadá - au Canada

1-877-696-5533

or - o - ou

www.remingtonpowertools.com

DO NOT RETURN THIS UNIT TO THE RETAILER. PROOF OF PURCHASE WILL BE REQUIRED FOR WARRANTY SERVICE.

THIS PRODUCT IS COVERED BY ONE OR MORE U.S. PATENTS. OTHER PATENTS PENDING.

For assistance regarding the assembly, controls, operation or maintenance of the unit, please call the Customer Support Department. Additional information about the unit can be found on our website.

For service, please call the Customer Support Department to obtain a list of authorized service dealers near you. Service on this unit, both within and after the warranty period, should only be performed by an authorized and approved service dealer. When servicing, use only identical replacement parts.

NO DEVUELVA ESTA UNIDAD AL VENDEDOR. PARA SOLICITAR SERVICIO POR LA GARANTÍA, DEBERÁ PRESENTAR PRUEBA DE SU COMPRA.

ESTE PRODUCTO ESTÁ CUBIERTO POR UNA O MÁS PATENTES DE EE.UU., OTRAS PATENTES ESTÁN PENDIENTES.

Para solicitar asistencia en relación con el ensamblaje, los controles, la operación o el mantenimiento de la unidad, llame al Departamento de Atención al Cliente. Puede encontrar más información sobre la unidad en nuestro sitio Web.

Para mantenimiento, llame al Departamento de Apoyo al Cliente para obtener una lista de distribuidores de servicio autorizados de su localidad. El mantenimiento y reparación de este equipo, ya sea durante o después del período cubierto por la garantía, deben ser realizados solamente por un proveedor de servicios autorizado y aprobado. Cuando vaya a dar mantenimiento al equipo, utilice solo piezas de repuesto originales.

NE RAMENEZ PAS CET APPAREIL CHEZ LE DÉTAILLANT. UNE PREUVE D'ACHAT SERA EXIGÉE POUR TOUTE PRISE EN CHARGE DANS LE CADRE DE LA GARANTIE.

CE PRODUIT EST COUVERT PAR UN OU PLUSIEURS BREVETS AUX ÉTATS UNIS. AUTRES BREVETS EN INSTANCE.

Si vous éprouvez des difficultés à assembler ce produit ou si vous avez des questions sur les commandes, l'utilisation ou l'entretien de cet appareil, veuillez contacter le service à la clientèle. Des informations supplémentaires sont disponibles sur notre site web.

Pour un entretien ou une réparation, veuillez appeler le service à la clientèle pour obtenir une liste complète des concessionnaires agréés près de chez vous. L'entretien de cet appareil doit être confié exclusivement à un concessionnaire agréé pendant et après la période de garantie. Lors de l'entretien, utilisez uniquement des pièces de rechange identiques.

Before beginning, locate the unit's model plate, which lists the model and serial numbers of your unit. Refer to the sample plate below and copy the information for future reference.

Antes de comenzar, localice la placa correspondiente al modelo de la unidad, la cual indica el modelo y los números de serie de la misma. Vea la placa de muestra debajo y copie la información para consultarla en el futuro.

Avant de commencer, cherchez la plaque mentionnant le modèle et le numéro de série de votre appareil. Reportez-vous à l'exemple ci-dessous et notez-y les informations pour pouvoir vous y référer ultérieurement.

Model Number - Número del modelo - Numéro de modèle

Serial Number
Número de serie
Numéro de série



Parent Part Number
Número de la pieza del fabricante
Numéro de pièce mère

Copy the model and parent part numbers here: _____

Copie el modelo y los números de piezas del fabricante aquí: _____

Copiez ici le modèle ainsi que le n° de l'article : _____

Copy the serial number here: _____

Copie el número de serie aquí: _____

Copiez ici le n° de série : _____

CONTENTS

IMPORTANT SAFETY INFORMATION	4
Before Operating Saw	4
While Operating Saw	4
Kickback	5
Maintenance and Storage of Chain Saw	6
UNPACKING	6
PRODUCT IDENTIFICATION	7
CHAIN SAW NAMES AND TERMS.....	7
ASSEMBLY	8
SAW CHAIN TENSION ADJUSTMENT	9
OPERATING CHAIN SAW.....	10
Filling Oil Tank	10
Oiling Chain	10
Extension Cords	10
Cutting with the Chain Saw	10
Felling a Tree (Cutting Down a Tree)	11
Limbing a Tree.....	12
Bucking a Log.....	13
Trimming a Tree (Pruning).....	13
CLEANING AND MAINTENANCE	14
Cleaning Saw Body	14
Care of Guide Bar	14
Sharpening Saw Chain.....	14
Replacing Saw Chain	16
STORAGE.....	16
REPLACEMENT PARTS AND ACCESSORIES	16
REPAIR SERVICE	16
Warranty Service	16
Non-Warranty Service	16
TROUBLESHOOTING	17
WARRANTY INFORMATION.....	18

SAVE THESE INSTRUCTIONS

All information, illustrations and specifications in this manual are based on the latest product information available at the time of printing. We reserve the right to make changes at any time without notice.

Copyright© 2009 MTD SOUTHWEST INC, All Rights Reserved.

IMPORTANT SAFETY INFORMATION

⚠ WARNING: When using an electric chain saw, basic safety precautions should always be followed to reduce the risk of fire, electric shock, and injury to persons, including the following:

READ ALL INSTRUCTIONS.

Make sure you read and understand all instructions in *Important Safety Information*. Improper use of this chain saw can cause severe injury or death from fire, electrical shock, body contact with moving chain, or falling wood.

BEFORE OPERATING SAW

1. Read and understand this owner's manual before operating chain saw.
2. Watch what you are doing. Use common sense. Do not operate saw when you are tired.
3. Use chain saw for cutting wood only. Do not use chain saw for purpose not intended. Do not use for cutting plastic, masonry, etc.
4. Only well-instructed adults should operate chain saw. Never allow children to operate chain saw.
5. Use only electrical voltage noted on model plate of chain saw.
6. Use only extension cords marked for outdoor use. See *Extension Cord Requirements*.
7. Do not operate chain saw
 - while under the influence of alcohol, medication, or drugs
 - in rain or in damp or wet areas
 - where highly flammable liquids or gases are present
 - if saw is damaged, adjusted wrong, or not fully and securely assembled
 - if trigger does not turn saw on and off. Chain must stop moving when you release trigger. Have faulty switch replaced by authorized service center.
 - while in a hurry
 - while in tree or on a ladder unless trained to do so
8. Wear snug-fitting clothes when operating chain saw. Do not wear loose clothing or jewelry. They can get caught in moving saw chain.
9. Wear the following safety gear when operating chain saw.
 - heavy-duty gloves (wear rubber gloves when working outdoors)
 - steel-toed safety footwear with non-skid soles
 - eye protection such as safety glasses, goggles, or face screen
 - safety hard hat
 - ear mufflers or ear plugs

- hair covering to contain long hair
 - face or dust mask (if working in dusty areas)
10. Before cutting, always provide the following:
 - clear work area
 - secure footing
 - planned retreat path from falling tree
 11. Inspect tree before cutting down. Make sure there are no dead limbs or branches that may fall on you.
 12. To reduce the risk of electric shock, this saw has a polarized plug (one blade is wider than the other). This plug will fit in a polarized outlet only one way. If the plug does not fit fully in the outlet of your extension cord, reverse the plug. If it still does not fit, a polarized extension cord will be necessary. Do not change the plug in any way.

WHILE OPERATING SAW

1. Stay alert. Use common sense while operating chain saw.
2. Keep work area clean. Cluttered areas invite injuries.
3. Be aware of extension cord while operating chain saw. Be careful not to trip over cord. Keep cord away from chain and operator at all times.
4. Keep children, animals, and bystanders away from chain saw and extension cord. Only chain saw user should be in work area.
5. Do not cut down a tree unless you are trained or have expert help.
6. If two or more persons perform bucking and felling operations at the same time, provide plenty of distance between operations. Provide distance of at least twice the height of tree being felled.
7. Secure wood you are cutting by using clamps or chocks.
8. Grip chain saw firmly with both hands. Never operate chain saw with one hand. Never use hand guard as handle.
9. Keep finger off trigger until ready to make cut.
10. Before starting chain saw, make sure chain is not touching anything.
11. To guard against electrical shock, avoid body contact with grounded objects such as pipes, fences, and metal posts.
12. Keep all parts of body away from chain when saw is running.
13. Do not force chain saw while cutting. Apply light pressure. It will do the job better and safer at the rate for which it was intended.
14. Cut small brush and saplings with extreme care. Slender material may catch in chain and be whipped toward you. This could also pull you off balance.

IMPORTANT SAFETY INFORMATION

15. When cutting limb or tree trunk that is under tension, use extreme caution. Be alert for wood springing back. When wood tension is released, limb could spring back and strike operator causing severe injury or death.
16. Carry chain saw from one place to another
 - with saw stopped and unplugged
 - by holding front handle (never use hand guard as handle)
 - with finger off trigger
 - with guide bar and chain to rear

⚠ WARNING: This product contains chemicals known to the State of California to cause cancer or birth defects, or other reproductive harm.

⚠ WARNING: Some dust created by power sanding, sawing, grinding, drilling, and other construction activities contains chemicals known (to the state of California) to cause cancer, birth defects, or other reproductive harm. Some examples of these chemicals are:

- lead from lead-based paints
- crystalline silica from bricks and cement and other masonry products
- arsenic and chromium from chemically-treated lumber

Your risk from these exposures varies, depending on how often you do this type of work. To reduce your exposure to these chemicals: work in a well ventilated area, and work with approved safety equipment, such as those dust masks that are specially designed to filter out microscopic particles.

KICKBACK

⚠ WARNING: Kickback may occur when the nose or tip of the guide bar touches an object, or when the wood closes in and pinches the saw chain in the cut. Tip contact in some cases may cause a lightning fast reverse reaction, kicking the guide bar up and back towards the operator. Pinching the saw chain along the top of the guide bar may push the guide bar rapidly back towards the operator. Either of these reactions may cause you to lose control of the saw which could result in serious injury to user.

Kickback Safety Devices On This Saw

This saw has a low-kickback chain and reduced kickback guide bar. Both items reduce the chance of kickback. Kickback can still occur with this saw.

Follow assembly instructions on page 7. Do not remove front hand guard. Do not replace front hand guard with substitute.

The following steps will reduce the risk of kickback.

- Use both hands to grip saw while saw is running. Use firm grip. Thumbs and fingers must wrap around saw handles.
- Keep all safety items in place on saw. Make sure they work properly.
- Do not overreach or cut above shoulder height.
- Keep solid footing and balance at all times.
- Stand slightly to left side of saw. This keeps your body from being in direct line with chain.
- Do not let guide bar nose touch anything when chain is moving (see Figure 1).
- Never try cutting through two logs at same time. Only cut one log at a time.
- Do not bury guide bar nose or try plunge cut (boring into wood using guide bar nose).
- Watch for shifting of wood or other forces that may pinch chain.
- Use extreme caution when reentering a previous cut.
- Use low-kickback chain and guide bar supplied with this chain saw. Only replace these parts with chains and guide bars listed in this manual.
- Never use dull or loose chain. Keep chain sharp with proper tension.

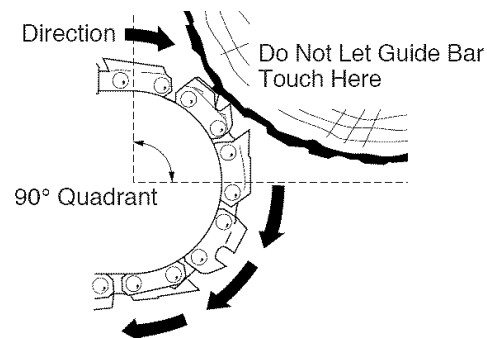
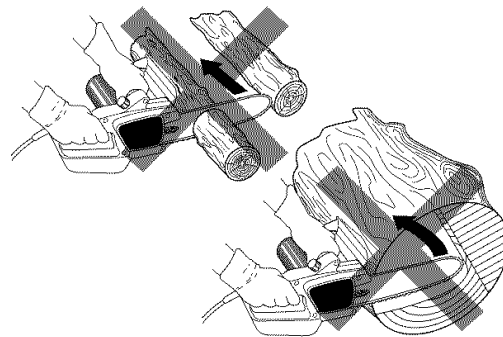


Figure 1 - Kickback Hazard Example: Do Not Let Nose of Guide Bar Touch Object While Chain is Moving

ENGLISH

IMPORTANT SAFETY INFORMATION

Saw Maintenance and Kickback Safety

Follow maintenance instructions in this manual. Proper cleaning of saw and chain and guide bar maintenance can reduce chances of kickback. Inspect and maintain saw after each use. This will increase the service life of your saw. **Note:** Even with proper sharpening, risk of kickback can increase with each sharpening.

MAINTENANCE AND STORAGE OF CHAIN SAW

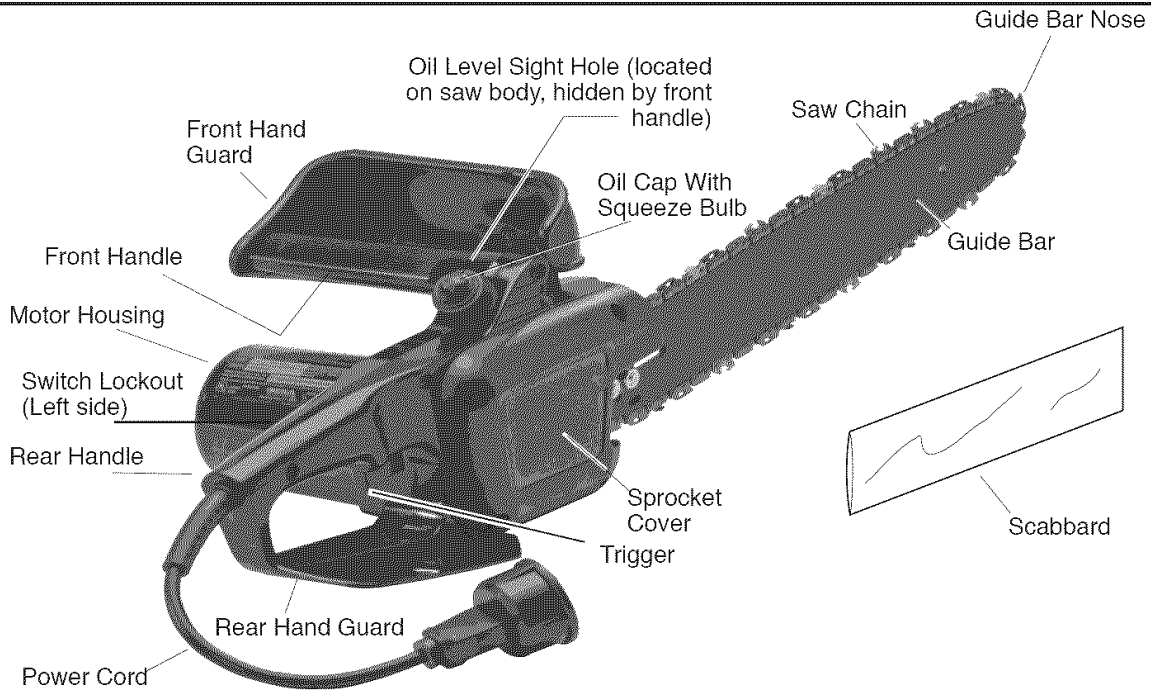
1. Unplug chain saw from power source
 - when not in use
 - before moving from one place to another
 - before servicing
 - before changing accessories or attachments, such as saw chain and guard
2. Inspect chain saw before and after each use. Check saw closely if guard or other part has been damaged. Check for any damage that may affect operator safety or operation of saw. Check for alignment or binding of moving parts. Check for broken or damaged parts. Do not use chain saw if damage affects safety or operation. Have damage repaired by authorized service center.
3. Maintain chain saw with care.
 - Never expose saw to rain.
 - Keep chain sharp, clean, and lubricated for better and safer performance.
 - Follow steps outlined in this manual to sharpen chain.
 - Keep handles dry, clean, and free of oil and grease.
 - Keep all screws and nuts tight.
 - Inspect power cord often. If damaged, have repaired by authorized service center.
 - Never carry chain saw by power cord.
 - Never yank power cord to unplug it.
 - Keep power cord from heat, oil, and sharp edges.
 - Inspect extension cords often and replace if damaged.
4. When servicing, use only identical replacement parts.
5. When not in use, always store chain saw
 - in a high or locked place, out of children's reach
 - in a dry place
 - in a carrying case or with scabbard over guide bar

UNPACKING

1. Remove all items from carton.
2. Check all items for any shipping damage. If you find any damage or if any parts are missing, call 1-866-206-2707 (in Canada, call 1-877-696-5533).

SAVE THESE INSTRUCTIONS

PRODUCT IDENTIFICATION



ENGLISH

CHAIN SAW NAMES AND TERMS

Bucking Process of cutting a felled tree or log into lengths.

Felling Process of cutting down a tree.

Felling Cut Final cut when felling a tree. Make this cut on opposite side of tree from notching cut.

Front Handle Located at front of saw body.

Front Hand Guard Shield between front handle and guide bar. Protects left hand while using saw.

Guide Bar Metal bar that extends from saw body. The guide bar supports and guides chain.

Guide Bar Nose Tip or end of guide bar.

Kickback Quick backward and upward motion of guide bar. Kickback may occur when tip of guide bar touches an object while chain is moving. The guide bar will kick up and back towards operator.

Limbing Process of cutting limb(s) from a felled tree.

Low-Kickback Chain Chain that reduces chance of kickback as required by ANSI B175.1.

Normal Cutting Position Stance used while making bucking and felling cuts.

Notching Cut Notch cut in tree that directs fall of tree.

Oiler Control System for oiling guide bar and chain.

Power Head Chain saw without chain and guide bar. Also known as saw body.

Pushback (Kickback, Pinch) Rapid pushback of chain saw. Pushback may occur if chain along top of guide bar is pinched, caught, or contacts a foreign object.

Rear Handle Handle located at rear of saw body.

Reduced Kickback Guide Bar Guide bar that reduces chance of kickback.

Replacement Chain Chain that complies with ANSI B175.1 when used with a specific saw. It may not meet ANSI requirements when used with other saws.

Saw Chain (Chain) Loop of chain having cutting teeth for cutting wood. The motor drives chain. The guide bar supports chain.

Spiked Bumper (Spike) Pointed teeth at front of saw body beside guide bar. Keep spiked bumper in contact with wood when felling or bucking. It helps maintain position of saw while cutting.

Sprocket Toothed wheel that drives chain.

Switch Device that completes or interrupts electrical circuit to motor of saw.

Switch Linkage This device connects switch to trigger. It moves switch when you squeeze trigger.

Switch Lockout Device that reduces accidental starting of saw.

Trigger Device that turns saw on and off. Squeezing trigger turns saw on. Releasing trigger turns saw off.

Trimming (Pruning) Process of cutting limb(s) from a living tree.

Undercut An upward cut from underside of log or limb. This is done while in normal cutting position and cutting with top of guide bar.

ASSEMBLY

IMPORTANT: Read and understand this manual before assembling or operating this chain saw. Improper use of saw can cause severe injury. Keep this manual for future reference.

Note: Some models are pre-assembled. Assembly is not needed on these models.

See *Saw Chain Tension Adjustment*.

WARNING: Cutting edges on chain are sharp. Use protective gloves when handling chain.

IMPORTANT: Do not clamp chain saw in vise during assembly.

The plastic hardware bag should include:

- two guide bar bolts
 - two guide bar nuts
 - one Phillips-head tapping screw
1. Lay chain out flat.
 2. Install front hand guard onto saw body. Do this by pressing two mounting stand-outs on hand guard into hex-shaped holes in saw body (see Figure 2).
 3. Insert tapping screw through hand guard and into saw handle. Tighten screw firmly.
 4. Turn adjusting screw counterclockwise (see Figure 3). Continue to turn adjusting screw until adjusting block is to rear of adjusting plate.
 5. Install guide bar onto saw body. Place rear of guide bar between adjusting plate and sprocket support.
IMPORTANT: Make sure to insert adjusting block into oval adjusting hole on guide bar.
 6. Line up holes on sprocket support with center slot on guide bar and holes in saw body.
 7. Insert guide bar bolts through front hand guard, saw body, center slot of guide bar, and sprocket support. Attach guide bar nuts to guide bar bolts.
IMPORTANT: Tighten guide bar nuts finger tight only. Make sure adjusting block is in oval adjusting hole on guide bar.
 8. Place chain around drive sprocket, then along top groove of guide bar and around guide bar nose. **Note:** Make sure cutting edges of chain are facing the right direction. Position chain so cutting edges on top of guide bar face guide bar nose (see Figure 3).
 9. Adjust saw chain tension. Follow steps under *Saw Chain Tension Adjustment*.

CAUTION: Do not place chain on saw backwards. If chain is backwards, saw will vibrate badly and will not cut.

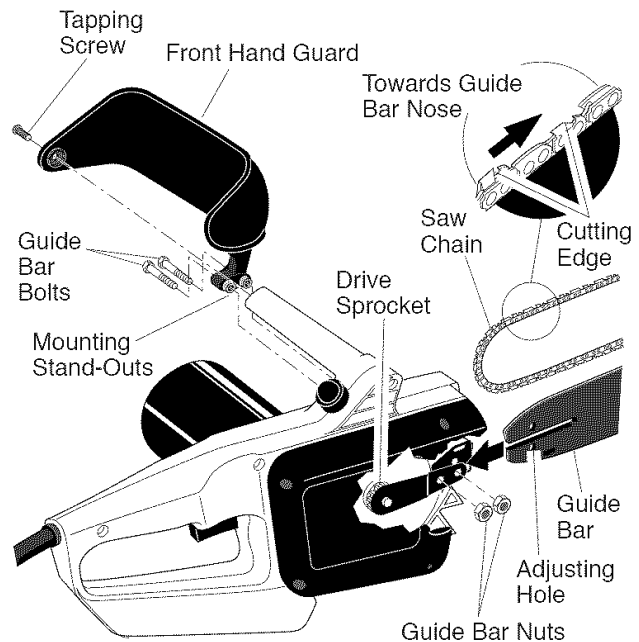


Figure 2 - Assembling Guide Bar, Chain, and Hand Guard

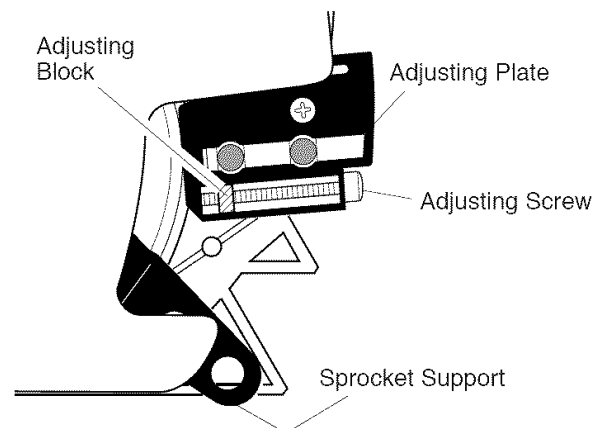


Figure 3 - Part Locations For Assembling Guide Bar

SAW CHAIN TENSION ADJUSTMENT

⚠ WARNING: Unplug chain saw from power source before adjusting saw chain tension.

⚠ WARNING: Cutting edges on chain are sharp. Use protective gloves when handling chain.

⚠ WARNING: Maintain proper chain tension always. A loose chain will increase the risk of kickback. A loose chain may jump out of guide bar groove. This may injure operator and damage chain. A loose chain will cause chain, guide bar, and sprocket to wear rapidly.

Note: For pre-assembled models, the saw chain tension is properly set at factory. A new chain will stretch. Check new chain after first few minutes of operation. Allow chain to cool down. Follow steps below to readjust saw chain tension.

1. Before adjusting chain, make sure guide bar nuts are only finger tight (see Figure 2, page 8). Also make sure adjusting block is in oval adjusting hole on guide bar (see Figures 2 and 3, page 8).
2. Turn adjusting screw clockwise until all slack is out of chain (see Figure 4). **Note:** There should be no gap between side links of chain and bottom of guide bar (see Figure 5).
3. Wearing protective gloves, move chain around guide bar. Chain should move freely. If chain does not move freely, loosen chain by turning adjusting screw counterclockwise.
4. After chain tension is correct, tighten guide bar nuts firmly. If not, guide bar will move and loosen chain tension. This will increase the risk of kickback. This can also damage saw. **Note:** A new chain will stretch. Check new chain after first few minutes of operation. Allow chain to cool down. Readjust chain tension.

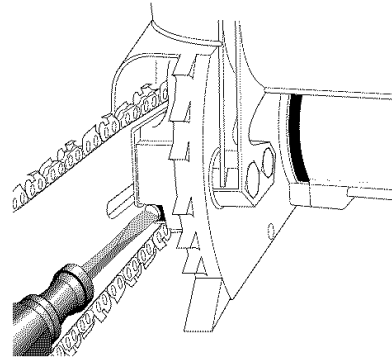


Figure 4 - Turning Adjusting Screw

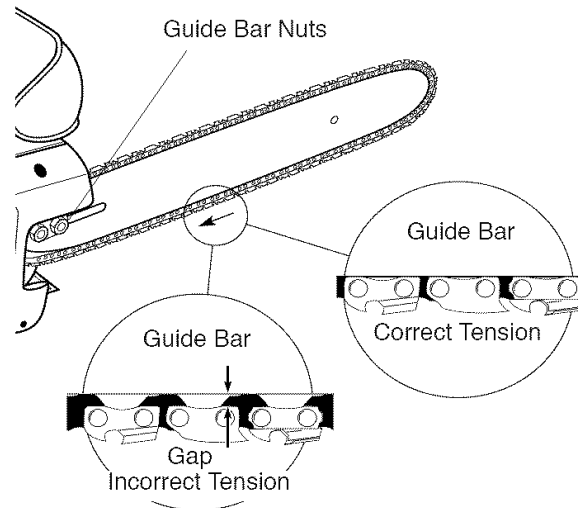


Figure 5- Saw Chain Adjustment

ENGLISH

OPERATING CHAIN SAW

FILLING OIL TANK

1. Remove oil cap.
2. Fill oil tank with SAE #30 motor oil. **Note:** For temperatures below 30°F, use SAE #10 oil. For temperatures above 75°F, use SAE #40 oil.
3. Replace oil cap at once. Tighten oil cap firmly for good seal. This will avoid oil seepage from tank.
4. Wipe off excess oil.

Note: It is normal for oil to seep when saw is not in use. Empty oil tank after each use to prevent seepage.

⚠ WARNING: Read and understand this owner's manual before operating this saw. Make certain you read and understand all Important Safety Information. Improper use of this chain saw can cause severe injury or death from fire, electrical shock, or body contact with moving chain, or falling wood.

OILING CHAIN

Always check oil level before using saw. Do not attempt to operate the oil system while saw is in operation. To oil chain, press squeeze bulb. Oil will feed onto the guide bar and chain. Press squeeze bulb at least once before each cut. Check oil level often by looking at oil sight level hole. Oil sight level hole is on left side of saw, between front handle and front hand guard.

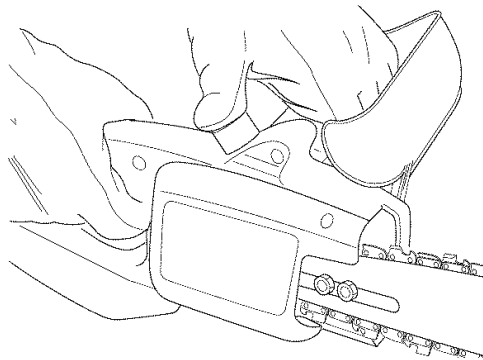


Figure 7 - Pressing Squeeze Bulb on Oil Cap to Oil Chain

EXTENSION CORDS

Use proper extension cords with this saw. Use only extension cords marked for outdoor use. The cord must be marked with suffix W or W-A following the cord type designation. **Example:** SJTW-A or SJTW.

Use proper sized cord with this saw. Cord must be heavy enough to carry current needed. An undersized cord will cause voltage drop at saw. Saw will lose power and overheat. Follow cord size requirements on the chart.

Cord Length	AWG Cord Size
25 feet	16 AWG
50 feet	16 AWG
100 feet	16 AWG
150 feet	14 AWG

Keep cord away from cutting area. Make sure cord does not catch on branches or logs during cutting. Inspect cords often. Replace damaged cords.

The extension cord may come undone from the power cord during use. To avoid this, make a knot with the two cords as shown in Figure 6.

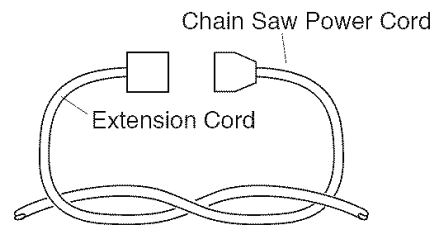


Figure 6 - Tying Extension Cord and Power Cord in Knot

CUTTING WITH THE CHAIN SAW

1. Connect saw to extension cord. Connect extension cord to power supply.
2. Make sure section of log to be cut is not laying on ground. This will keep chain from touching ground as it cuts through log. Touching ground with moving chain will dull chain.
3. Use both hands to grip saw. Always use left hand to grip front handle and right hand to grip rear handle. Use firm grip. Thumbs and fingers must wrap around saw handles (see Figure 8, page 11).
4. Make sure your footing is firm. Keep feet apart. Divide your weight evenly on both feet.
5. When ready to make a cut, press in switch lock-out with right thumb and squeeze trigger (see Figure 8, page 11). This will turn saw on. Releasing trigger will turn saw off. Make sure saw is running at full speed before starting a cut.
6. When starting a cut, place moving chain against wood. Hold saw firmly in place to avoid possible bouncing or skating (sideways movement) of saw.
7. Guide saw using light pressure. Do not force saw. The motor will overload and can burn out. It will do the job better and safer at the rate for which it was intended.
8. Remove saw from a cut with saw running at full speed. Stop saw by releasing trigger. Make sure chain has stopped before setting saw down.
9. Practice until you can maintain a steady, even cutting rate.

OPERATING CHAIN SAW

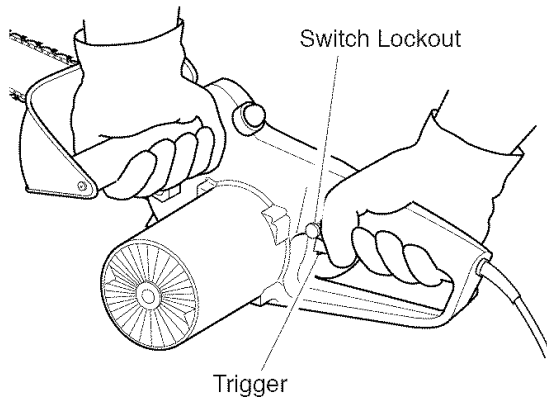


Figure 8 - Switch Lockout and Trigger Location

FELLING A TREE (Cutting Down a Tree)

⚠ WARNING:

- Avoid kickback. Kickback can result in severe injury or death. See *Kickback*, to avoid risk of kickback.
- Do not fell a tree without ample skill or expert help.
- Keep children, animals, and bystanders away from area when felling a tree.
- If two or more persons perform bucking and felling operations at the same time, provide ample distance between operations. Provide distance of at least twice the height of tree being felled.



WARNING: When felling a tree, be aware of your surroundings. Do not endanger any person, strike utility lines, or cause property damage. If tree strikes utility lines, contact utility company at once.

Felling is the process of cutting down a tree. Make sure your footing is firm. Keep feet apart. Divide your weight evenly on both feet. Follow directions below to fell a tree.

Before Felling a Tree

1. Before felling, inspect tree. Make sure there are no dead limbs or branches that may fall on you. Study natural lean of tree, location of larger branches, and wind direction. This will help you judge which way tree will fall.
2. Clear work area around tree.
3. Plan and clear a retreat path before felling. Make retreat path opposite to planned direction of fall of tree and at 45° angle (see Figure 9).

4. Remove dirt, stones, loose bark, nails, staples, and wire from tree where you will make felling cuts.
5. Stay on uphill side when felling tree. Tree could roll or slide downhill after falling.

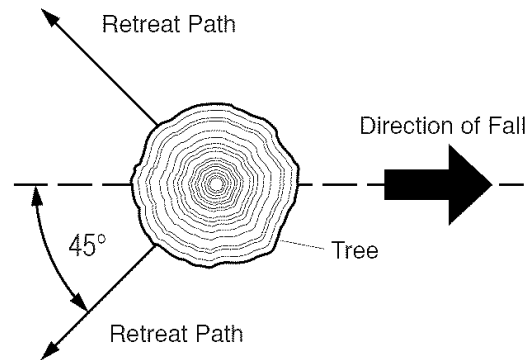


Figure 9 Retreat Path From Tree

Felling Procedure

A) Felling Notch

A properly placed felling notch will determine direction tree will fall. Place felling notch on side of tree in direction you want tree to fall (see Figure 10). Follow directions below to create a felling notch.

1. Make lower notch cut as close to ground as possible. Hold saw so guide bar is horizontal. Cut 1/3 the diameter of tree trunk (see Figure 10). **Note:** Always make this horizontal lower notch cut first. If you make this cut second, tree can pinch chain or guide bar.
2. Start upper notch cut the same distance above first cut as first cut is deep.

Example: If lower notch cut is eight inches deep, start upper notch cut eight inches above it. Cut downward at 45° angle. The upper notch cut should meet end of lower notch cut (see Figure 10).

3. Remove tree trunk wedge created by notching cuts.

B) Felling Cut

1. Make felling cut two inches higher than lower notch cut and on opposite side of tree (see Figure 10). Keep felling cut parallel to lower notch cut.
2. Cut towards notch.
3. As felling cut nears hinge, tree should begin to fall. **Note:** If needed, drive wedges into felling cut to control direction of fall. If tree settles back and pinches chain, drive wedges into felling cut to remove saw. Only use wedges made of wood, plastic, or aluminum. Never use wedge made of steel. This could cause kickback and damage to chain.
4. When tree begins to fall, quickly
 - remove saw from felling cut
 - release trigger to turn saw off
 - put saw down
 - exit area using retreat path

ENGLISH

OPERATING CHAIN SAW

⚠ WARNING: Do not cut all the way through tree. Leave about two inches of tree diameter uncut directly behind felling notch (see Figure 10). This uncut portion acts as a hinge. The hinge helps keep tree from twisting and falling in wrong direction.

⚠ WARNING: Be alert for falling overhead limbs. Watch your footing while exiting area.

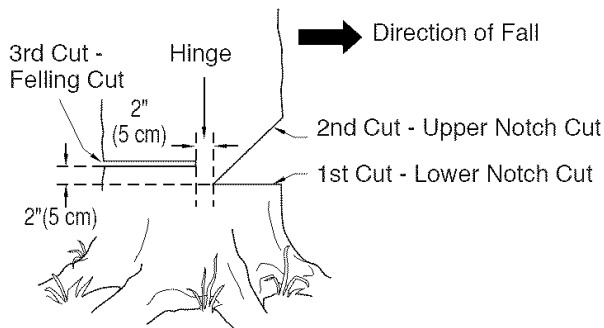


Figure 10 - Felling A Tree

LIMBING A TREE

⚠ WARNING: Avoid kickback. Kickback can result in severe injury or death. See *Kickback* to avoid risk of kickback.

⚠ WARNING: When cutting limb that is under tension, use extreme caution. Be alert for wood springing back. When wood tension is released, limb could spring back and strike operator causing severe injury or death.

Limbing is removing branches from a fallen tree. Make sure your footing is firm. Keep feet apart. Divide your weight evenly on both feet. Do not remove larger limbs under tree that support log off ground. Remove each limb with one cut (see Figure 11). Clear cut limbs from work area often. This will help maintain a safe work area.

Make sure you start your cut where limb will not pinch saw during cutting. To avoid pinching, start cut on freely hanging limbs from above limb. Start cut on limbs under tension from under limb. If pinch occurs, turn saw off, lift limb, and remove saw.

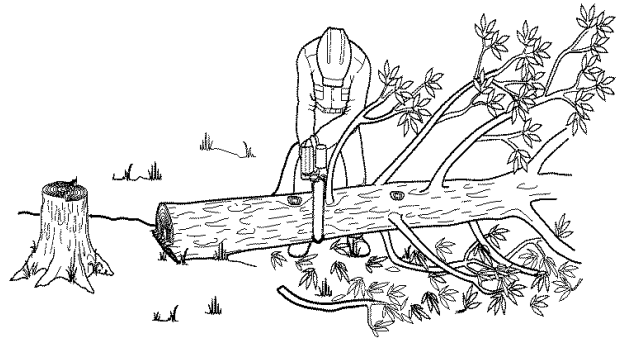


Figure 11 - Limbing A Tree

BUCKING A LOG

⚠ WARNING: Avoid kickback. Kickback can result in severe injury or death. See *Kickback* to avoid risk of kickback.

- ⚠ WARNING:**
- If on slope, make sure log will not roll down hill. Secure log by using wooden stakes. Drive wooden stakes into ground on downhill side of log. Stand on uphill side of log while cutting. Log may roll after cutting.
 - Never try cutting through two logs at same time. This could increase the risk of kickback.
 - While cutting log, never hold log with your hand, leg, or foot.
 - While cutting log, never allow another person to hold log.
 - Turn off and unplug saw before moving from one place to another.

Bucking a log is cutting a log into sections. Make sure your footing is firm. Keep feet apart. Divide your weight evenly on both feet. When possible, raise log or section off ground. Do this by using limbs, logs, chocks, etc.

When cutting through log, maintain control by reducing cutting pressure near end of cut. Do not relax your grip on chain saw handles. Do not let moving chain touch ground. Ground will dull moving chain. After cutting through log, release trigger to turn saw off before moving saw.

Follow directions on page 13 to buck a log.

OPERATING CHAIN SAW

Entire Length Of Log On Ground

Cut log from top (see Figure 12).

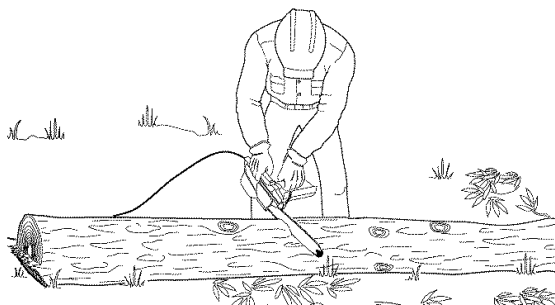


Figure 12 - Bucking Log With Entire Length On Ground

Log Supported On One End

1. Make first cut on underside of log (see Figure 13). Use top of guide bar to make this cut. Cut 1/3 through diameter of log. This cut will keep section from splintering when cut.
2. Make second cut directly above first cut. Cut down to meet first cut. This cut will keep log from pinching guide bar and chain.

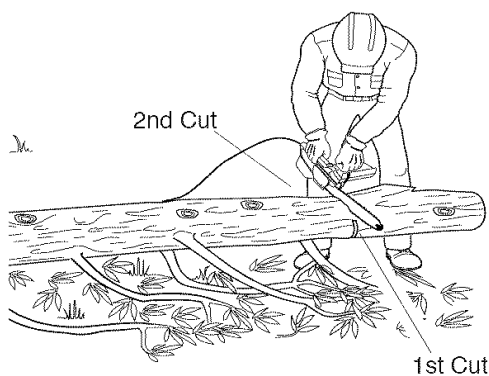


Figure 13 - Bucking Log When Log Is Supported On One End

Log Supported On Both Ends

1. Make first cut from above log (see Figure 14). Cut 1/3 through diameter of log. This cut will keep section from splintering when cut.
2. Make second cut on underside of log, directly under first cut. Use top of guide bar to make this cut. Cut up to meet first cut. This will keep log from pinching guide bar and chain.

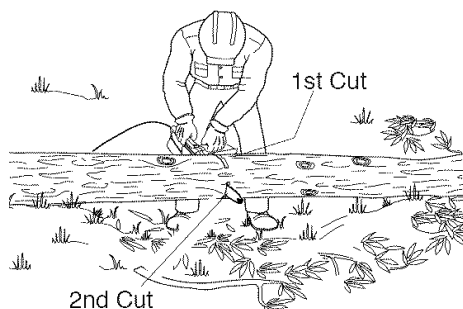


Figure 14 - Bucking Log When Log Is Supported On Both Ends

TRIMMING A TREE (PRUNING)

⚠ WARNING: Avoid kickback. Kickback can result in severe injury or death. See Kickback to avoid risk of kickback.

⚠ WARNING: Do not operate chain saw while

- in a tree
- on a ladder or any other unstable surface
- in any awkward position

You may lose control of saw causing severe injury.

⚠ WARNING: Do not cut limbs higher than your shoulders.

⚠ CAUTION: Seek professional help if facing conditions beyond your ability.

Trimming a tree is the process of cutting limbs from a living tree. Make sure your footing is firm. Keep feet apart. Divide your weight evenly on both feet. Follow directions below to trim a tree.

1. Make first cut six inches from tree trunk on underside of limb. Use top of guide bar to make this cut. Cut 1/3 through diameter of limb (see Figure 15).
2. Move two to four inches farther out on limb. Make second cut from above limb. Continue cut until you cut limb off.
3. Make third cut as close to tree trunk as possible on underside of limb stub. Use top of guide bar to make this cut. Cut 1/3 through diameter of stub.
4. Make fourth cut directly above third cut. Cut down to meet third cut. This will remove limb stub.

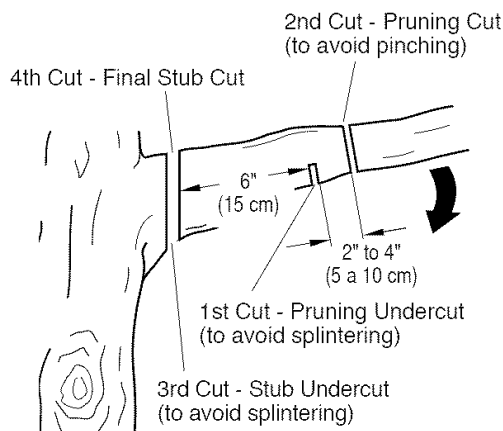


Figure 15 - Cutting A Limb

ENGLISH

CLEANING AND MAINTENANCE

NOTICE: Below are instructions for servicing your chain saw. Any servicing not mentioned below should be done by an authorized service center.

CLEANING SAW BODY

⚠ WARNING: Unplug chain saw from power source before servicing. Severe injury or death could occur from electrical shock or body contact with moving chain.

⚠ WARNING: Cutting edges on chain are sharp. Use protective gloves when handling chain.

⚠ WARNING: When cleaning saw body,

- do not submerge saw in any liquids
- do not use products that contain ammonia, chlorine, or abrasives
- do not use chlorinated cleaning solvents, carbon tetrachloride, kerosene, or gasoline

Keep saw body clean. Use a soft cloth dampened with a mild soap and water mixture. Wipe saw body to clean.

CARE OF GUIDE BAR

Uneven bar wear causes most guide bar problems. Incorrect sharpening of chain cutter and depth gauge settings often cause this. When bar wears unevenly, it widens guide bar groove (see Figure 16). This causes chain clatter and rivet popping. Saw will not cut straight. Replace guide bar if this occurs.

Inspect guide bar before sharpening chain. A worn or damaged guide bar is unsafe. A worn or damaged guide bar will damage chain. It will also make cutting harder.

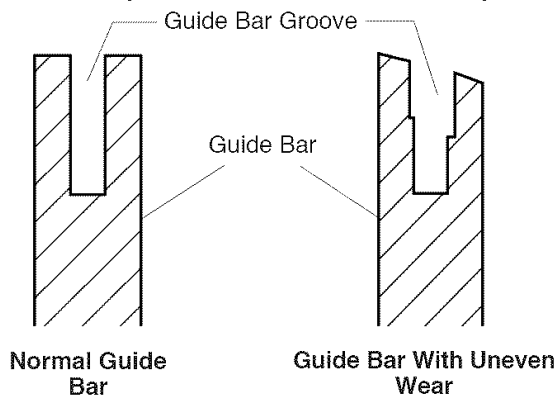


Figure 16 - Guide Bar Cross Section Showing Uneven Bar Wear

Normal Guide Bar Maintenance

1. Remove guide bar from chain saw.
2. Remove sawdust from guide bar groove periodically. Use putty knife or wire (see Figure 17).
3. Clean oil slots after each day of use.
4. Remove burrs from sides of guide bar. Use flat file to make side edges square.

Replace guide bar when

- bar is bent or cracked
- inside groove of bar is badly worn

Note: When replacing guide bar, see *Replacement Parts and Accessories* for proper bar.

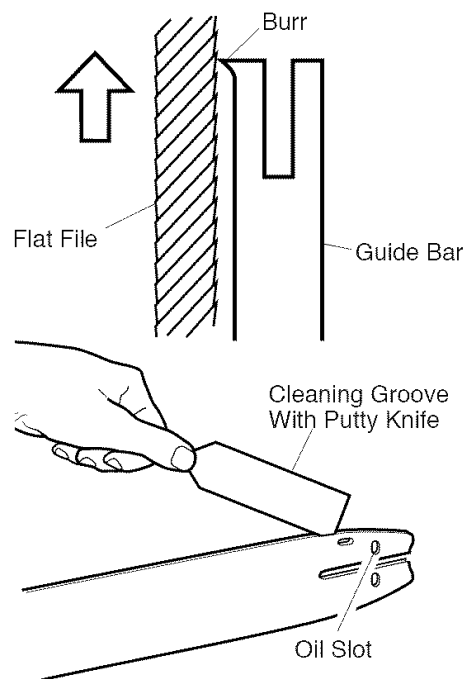


Figure 17 - Guide Bar Maintenance

SHARPENING SAW CHAIN

⚠ WARNING: Unplug chain saw from power source before servicing. Severe injury or death could occur from electrical shock or body contact with moving chain.

⚠ WARNING: Cutting edges on chain are sharp. Use protective gloves when handling chain.

Keep chain sharp. Your saw will cut faster and more safely. A dull chain will cause undue sprocket, guide bar, chain, and motor wear. If you must force chain into wood and cutting creates only sawdust with few large chips, chain is dull.

CLEANING AND MAINTENANCE

Items Needed to Sharpen Chain

Purchase these items from your local dealer, hardware store, or chain saw supplies outlet.

- 5/32" round file
- Depth gauge tool
- File guide
- Vise
- Medium sized flat file

Sharpening Cutters

Use file guide for 30° filing.

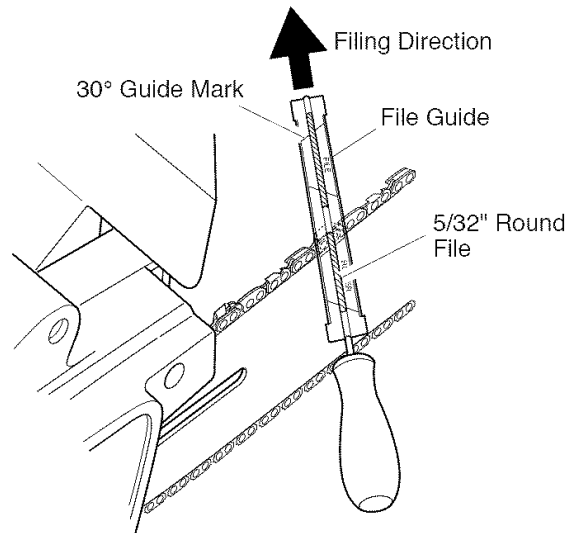
1. Adjust chain for proper tension (see *Saw Chain Tension Adjustment*).
2. Clamp guide bar in vise to hold saw steady. **Note:** Do not clamp chain.
3. Press 5/32" round file (attached to file guide) into groove between top plate and depth gauge on chain. File guide should rest on both top plate and depth gauge (see Figure 18). **Note:** File at midpoint of guide bar.
4. Hold file guide level. Make sure 30° mark on file guide is parallel to center of guide bar (see Figure 18). This will insure that you file cutters at 30° angle.
5. File from inside towards outside of cutter until sharp. Only file in this one direction (see Figure 18). **Note:** Two or three strokes with file should sharpen cutter.
6. After each cutter is sharpened, move chain forward to sharpen next cutter. File all cutters on one side of chain.
7. Move to other side of chain and repeat process.

Filing Cutter Depth Gauges

The cutter depth gauge clearance is reduced as cutters are sharpened. After every second or third sharpening, reset cutter depth gauges.

1. Place depth gauge tool (.025") firmly across top of two cutters. Make sure depth gauge enters slot in depth gauge tool (see Figure 20).
2. Use medium flat file. File depth gauge level with depth gauge tool.
3. Remove depth gauge tool. With flat file, round off front corner of cutter depth gauge (see Figure 21).

After several hand filings, have authorized service center or sharpening service machine sharpen chain. This will insure even filing.



Note: This illustration shows file guide placement and filing direction for sharpening cutters on left side of chain.

Figure 18 - File and File Guide Placement On Chain

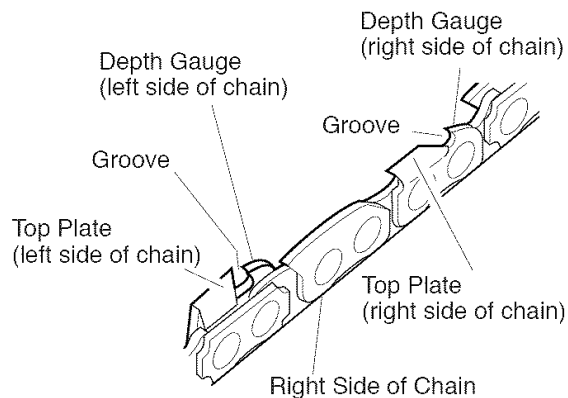


Figure 19 - Chain Part Locations

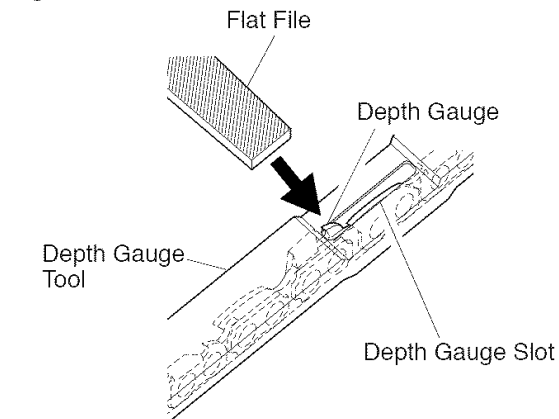


Figure 20 - Depth Gauge Tool On Chain

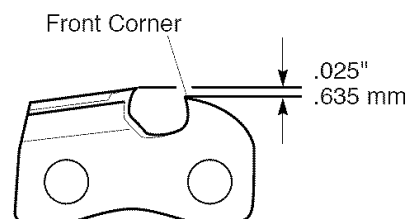


Figure 21 - Round Off Front Corner Of Depth Gauge

REPLACING SAW CHAIN


Replace chain when cutters are too worn to sharpen or when chain breaks. Only use replacement chain noted in this manual. Always include new drive sprocket when replacing chain. This will maintain proper driving of chain. **Note:** For proper chain and drive sprocket, see *Replacement Parts and Accessories*.

STORAGE

If storing saw for more than 30 days, follow steps below.

1. Drain oil tank.
2. Remove and clean guide bar and chain. Clean guide bar and chain by soaking in petroleum based solvent or mild soap and water mixture.
3. Dry guide bar and chain.
4. Place chain in container filled with oil. This will prevent rust.
5. Wipe a thin coating of oil over surface of guide bar.
6. Wipe off outside of saw body. Do this with soft cloth dampened with a mild soap and water mixture.
7. Store chain saw
 - in a high or locked place, out of children's reach
 - in a dry place
 - in a carrying case or with scabbard over guide bar

REPLACEMENT PARTS AND ACCESSORIES

 **WARNING: Use only replacement parts and accessories described in this manual. Use of other parts or accessories could damage saw or injure operator.**

For original replacement parts and accessories, call 1-866-206-2707 (in Canada call 1-877-696-5533) or visit www.remingtonpowertools.com.

REPAIR SERVICE

Note: Only use original replacement parts. This will protect your warranty coverage for parts replaced under warranty.

For service, please call the Customer Support Department to obtain a list of authorized service dealers near you. Service on this unit, both within and after the warranty period, should only be performed by an authorized and approved service dealer.

Call 1-866-206-2707 (in Canada call 1-877-696-5533) or visit www.remingtonpowertools.com.

TROUBLESHOOTING

Note: For additional help, visit www.remingtonpowertools.com.

⚠ WARNING: Unplug chain saw from power source before servicing. Severe injury or death could occur from electrical shock or body contact with moving chain.

ENGLISH

OBSERVED FAULT	POSSIBLE CAUSE	REMEDY
Saw runs, but does not cut	Chain assembled backwards on guide bar	See Assembly
Saw does not cut unless heavily forced. Cutting produces only sawdust with few large chips	Chain is dull	See Sharpening Saw Chain
Saw runs slow. Saw stalls easily	Low power supply voltage	Extension cord wire size too small. See Extension Cords.
Motor of saw does not run when you squeeze trigger	<ol style="list-style-type: none"> 1. Switch lockout not pushed forward in to release trigger 2. Extension cord connections loose 3. Open line fuse or circuit breaker 4. Worn out motor brushes 5. Open wiring circuit on saw 	<ol style="list-style-type: none"> 1. Push switch lockout forward before squeezing trigger 2. Check cord connections 3. Check line fuse or circuit breaker 4. See authorized service center 5. See authorized service center
Motor of saw runs, but chain does not move	Gear Sprocket	Remove and inspect gear sprocket for damage
Chain does not get oil	<ol style="list-style-type: none"> 1. Clogged oil slot in guide bar 2. Oil is too thick 	<ol style="list-style-type: none"> 1. Remove guide bar and clean oil slot 2. Use correct weight of oil. See Filling Oil Tank
Chain comes off guide bar	<ol style="list-style-type: none"> 1. Chain is loose 2. Guide bar and chain not assembled correctly 	<ol style="list-style-type: none"> 1. Tighten chain. See Saw Chain Tension Adjustment 2. See Assembly
Saw smokes	Saw damaged. Do not use saw	See authorized service center
Saw leaks oil	It is normal for oil to seep when the saw is not in use.	Tighten oil cap. Note: Empty oil tank when not in use.

WARRANTY INFORMATION

MANUFACTURER'S LIMITED WARRANTY FOR:

The limited warranty set forth below is given by Remington LLC ("Remington") with respect with new merchandise purchased and used in the United States, its possessions and territories.

Remington warrants this product against defects in material and workmanship for a period of one (1) year commencing on the date of original purchase and will, at its option, repair or replace, free of charge, any part found to be defective in material or workmanship. This limited warranty shall only apply if this product has been operated and maintained in accordance with the Operator's Manual furnished with the product, and has not been subject to misuse, abuse, commercial use, neglect, accident, improper maintenance, alteration, vandalism, theft, fire, water, or damage because of other peril or natural disaster. Damage resulting from the installation or use of any accessory or attachment not approved by Remington for use with the product(s) covered by this manual will void your warranty as to any resulting damage.

This warranty is limited to ninety (90) days from the date of original retail purchase for any Remington product that is used for rental or commercial purposes, or any other income-producing purpose.

HOW TO OBTAIN SERVICE: Warranty service is available, WITH PROOF OF PURCHASE THROUGH YOUR LOCAL AUTHORIZED SERVICE DEALER. To locate the dealer in your area, please check for a listing in the Yellow Pages or contact the Customer Service Department of Remington by calling **1-866-206-2707** or writing to P.O. Box 361032, Cleveland, OH 44136 or if in Canada call **1-877-696-5533**. No product returned directly to the factory will be accepted unless prior written permission has been extended by the Customer Service Department of Remington.

This limited warranty does not provide coverage in the following cases:

- A. Wear items - Bump Knobs, Outer Spools, Cutting Line, Inner Reels, Starter Pulley, Starter Ropes, Drive Belts
- B. Remington does not extend any warranty for products sold or exported outside of the United States of America, its possessions and territories, except those sold through Remington's authorized channels of export distribution

Remington reserves the right to change or improve the design of any Remington Product without assuming any obligation to modify any product previously manufactured.

No implied warranty, including any implied warranty of merchantability or fitness for a particular purpose, applies after the applicable period of express written warranty above as to the parts as identified. No other express warranty or guaranty, whether written or oral, except as mentioned above, given by any person or entity, including a dealer or retailer, with respect to any product shall bind Remington. During the period of the Warranty, the exclusive remedy is repair or replacement of the product as set forth above. (Some states do not allow limitations on how long an implied warranty lasts, so the above limitation may not apply to you.)

The provisions as set forth in this Warranty provide the sole and exclusive remedy arising from the sales. Remington shall not be liable for incidental or consequential loss or damages including, without limitation, expenses incurred for substitute or replacement lawn care services, for transportation or for related expenses, or for rental expenses to temporarily replace a warranted product. (Some states do not allow limitations on how long an implied warranty lasts, so the above limitation may not apply to you.)

In no event shall recovery of any kind be greater than the amount of the purchase price of the product sold. Alteration of the safety features of the product shall void this Warranty. You assume the risk and liability for loss, damage, or injury to you and your property and/or to others and their property arising out of the use or misuse or inability to use the product.

This limited warranty shall not extend to anyone other than the original purchaser, original lessee or the person for whom it was purchased as a gift.

How State Law Relates to this Warranty: This warranty gives you specific legal rights, and you may also have other rights which vary from state to state.

To locate your nearest service dealer dial **1-866-206-2707** in the United States or **1-877-696-5533** in Canada.

REMINGTON LLC

P.O. Box 361032
Cleveland, OH 44136

REMINGTON®

SIERRA ELÉCTRICA MANUAL PARA EL USUARIO



ESPAÑOL

MODELOS
RM1215U, RM1415U, RM1415A

IMPORTANTE: Lea cuidadosamente este manual antes de armar u operar esta sierra eléctrica. El uso indebido de la misma puede provocar graves lesiones. Guarde este manual para consultarlo cuando lo necesite.

PART NO. 769-05149 P00

(06/09)

EL CONTENIDO

INFORMACIÓN IMPORTANTE DE SEGURIDAD.....	21
Antes de utilizar la sierra	21
Al utilizar la sierra	21
Contragolpes	22
Mantenimiento y almacenamiento de su sierra eléctrica	23
DESEMBALAJE	23
IDENTIFICACIÓN DEL PRODUCTO.....	24
TERMINOLOGÍA.....	24
ENSAMBLAJE.....	25
AJUSTE DE TENSIÓN DE LA CADENA SERRADA.....	26
USO DE LA SIERRA ELÉCTRICA	27
Lubricación	27
Lubricación de la cadena	27
Cables de prolongación.....	27
Realización de cortes	27
Tala de un árbol (Derribamiento de un árbol)	28
Desmembramiento de un árbol	29
Trozado de un tronco	30
Poda de un árbol	31
LIMPIEZA Y MANTENIMIENTO	32
Limpieza del cabezal	32
Cuidado de la barra de guía	32
Afilado de la cadena	32
Recambio de la cadena serrada	34
ALMACENAMIENTO	34
ACCESORIOS Y PIEZAS DE REPUESTO	34
SERVICIO DE REPARACIÓN	34
Servicio con garantía.....	34
Servicio sin garantía.....	34
DIAGNÓSTICO Y RESOLUCIÓN DE PROBLEMAS	35
INFORMACIÓN DE GARANTÍA.....	36

GUARDE ESTAS INSTRUCCIONES

Toda la información, las ilustraciones y especificaciones que contiene este manual se basan en la información más reciente disponible en el momento de impresión del manual. Nos reservamos el derecho de hacer cambios en cualquier momento sin previo aviso.
Copyright© 2009 MTD SOUTHWEST INC. Todos los derechos reservados.

⚠ ADVERTENCIA: Al utilizar una sierra eléctrica, deben seguirse siempre las precauciones de seguridad básicas para reducir el riesgo de incendios, choque eléctrico y lesiones a personas, incluyendo las siguientes:

LEA TODAS LAS INSTRUCCIONES.

Asegúrese de leer y comprender completamente todas las instrucciones en *Información Importante de Seguridad*. El uso indebido de esta sierra eléctrica puede provocar lesiones graves (y aun la muerte) a causa de incendio, shock eléctrico, el contacto del cuerpo con la cadena en movimiento o la caída de un trozo de árbol.

ANTES DE UTILIZAR LA SIERRA

1. Lea detenidamente este manual para el usuario antes de utilizar la sierra eléctrica.
2. Proceda con cautela. Utilice el sentido común. No utilice la sierra cuando se sienta cansado.
3. Utilice la sierra sólo para cortar madera. No la utilice con fines para los que no ha sido diseñada. No la utilice para cortar plásticos, mampostería, etc.
4. Sólo un adulto bien instruido debe utilizar la sierra. Nunca permita que sea utilizada por niños.
5. Utilice sólo el voltaje eléctrico indicado en la placa del modelo de la sierra.
6. Utilice sólo cables de prolongación diseñados para el aire libre. Consulte las requisitos del *Cable de Prolongación*.
7. No utilice la sierra
 - cuando se encuentre bajo la influencia de alcohol, medicamentos o drogas;
 - bajo la lluvia o en áreas húmedas o mojadas;
 - en presencia de líquidos o gases altamente inflamables;
 - cuando ésta se encuentre dañada, mal ajustada o armada de manera incompleta e insegura;
 - si no es posible encenderla y apagarla mediante el gatillo. La cadena debe dejar de moverse al soltar el gatillo. Si el interruptor se encuentra defectuoso, hágalo reemplazar en un centro de servicios autorizado
 - cuando tenga prisa;
 - cuando esté arriba de un árbol o sobre una escalera, a menos que se encuentre capacitado para hacerlo.
8. Al utilizar la sierra, lleve ropa ajustada. No utilice ropa ni lleve accesorios sueltos, ya que éstos pueden quedar atrapados en la cadena en movimiento.
9. Utilice los siguientes elementos de seguridad para utilizar la sierra eléctrica:

- guantes resistentes (utilice guantes de goma para trabajar al aire libre);
 - calzado resistente con suelas no resbaladizas;
 - protección ocular, tal como gafas de seguridad o una pantalla facial;
 - casco de seguridad;
 - orejeras o tapones para los oídos;
 - cubrecabellos, especialmente si tiene cabello largo;
 - máscara contra el polvo (el trabajar en zonas polvorientas).
10. Antes de comenzar a cortar, asegúrese de contar con:
 - zona de trabajo limpia;
 - calzado firme;
 - camino de retirada para el momento de caída del árbol.
 11. Inspeccione el árbol antes de talarlo. Asegúrese de que no tenga ramas o vástagos secos que puedan caerle encima.
 12. Para reducir el riesgo de shock eléctrico, esta sierra tiene un enchufe polarizado (un conector es más ancho que el otro) y sólo entrará de una manera en un tomacorriente polarizado. Si el enchufe no entra completamente en el tomacorriente de su cable de prolongación, inviértalo. Si, aun así, tampoco entra, necesitará un cable de prolongación polarizado. No altere el enchufe de manera alguna.

AL UTILIZAR LA SIERRA

1. Permanezca alerta. Utilice el sentido común.
2. Mantenga limpia el área de trabajo. Las áreas de trabajo sucias pueden provocar lesiones.
3. Tenga en cuenta la posición del cable de prolongación. Asegúrese de no tropezar sobre él. Manténgalo alejado de la sierra y del operario en todo momento.
4. Mantenga a los niños, animales y observadores alejados de la sierra y del cable de prolongación. Sólo el operario de la sierra debe permanecer en el área de trabajo.
5. No proceda a talar un árbol a menos que esté entrenado o que disponga de un asistente con experiencia.
6. Si dos o más personas realizan tareas de tala y trozado al mismo tiempo, cerciórese de que haya una buena cantidad de espacio entre ellos. El espacio que separa a ambas personas debe ser por lo menos igual al doble de la altura del árbol que se está talando.
7. Asegure la madera que se ha de cortar mediante mordazas o cuñas.
8. Sujete la sierra firmemente con ambas manos. Nunca utilice la sierra con una sola mano. Nunca utilice el protector de mano a manera de mango.
9. No coloque el dedo en el gatillo hasta que esté listo para realizar el corte.
10. Antes de activar la sierra, asegúrese de que no se encuentre en contacto con nada.

INFORMACIÓN IMPORTANTE DE SEGURIDAD

11. Para protegerse de un shock eléctrico, evite el contacto corporal con objetos conectados a tierra tales como caños, vallas, cercas y postes de metal.
12. Mantenga todas las partes del cuerpo alejadas de la sierra mientras la cadena esté en movimiento.
13. Al cortar, no aplique gran fuerza a la sierra. Para realizar el trabajo de manera más segura, mejor y en la cantidad de tiempo para la cual fue diseñada la sierra, basta aplicar una ligera presión sobre ella.
14. Al cortar matorrales y plantas tiernas, proceda con cuidado. Los materiales finos pueden atascarse en la cadena y azotar contra su cuerpo o provocar que pierda el equilibrio.
15. Proceda con sumo cuidado al cortar ramas o vástagos de árboles que se encuentran en tensión. Esté preparado para actuar en caso de contragolpe de la madera. Al liberarse la tensión de la madera, la rama puede moverse hacia el operario, golpearlo y provocarle lesiones graves y aun la muerte.
16. Lleve la sierra eléctrica de un lugar a otro
 - con la cadena detenida y la sierra desenchufada;
 - tomándola por el mango anterior (nunca utilice el protector de mano a manera de mango);
 - con el dedo fuera del gatillo;
 - con la barra de guía y la cadena mirando hacia atrás.



ADVERTENCIA: El polvo causado cuando se usan herramientas motorizadas para lijar, cortar, esmerilar y taladra, a igual que otras actividades de construcción, contienen sustancias químicas conocidas (en el estado de California) como causantes de cáncer, defectos al recién nacido u otros daños a los órganos de reproducción. Algunos ejemplos de estas sustancias químicas son:

- plomo de las pinturas hechas a base de plomo
- sílice cristalina proveniente de ladrillos y cemento y de otros productos de albañilería
- arsénico y cromo provenientes de madera tratada con sustancias químicas

Su riesgo debido a la exposición a estos elementos varía de acuerdo a cuán a menudo realiza este tipo de trabajo. Para reducir su exposición a estas sustancias químicas: trabaje en una área bien ventilada y use el equipo de seguridad aprobado tales como aquellas mascarillas contra el polvo diseñadas en forma especial para filtrar las partículas microscópicas.



ADVERTENCIA: Este producto contiene sustancias químicas conocidas en el estado de California como causas de cáncer o de defectos al recién nacido o de otros daños de reproducción.

CONTRAGOLPES



ADVERTENCIA: Los contragolpes pueden ocurrir cuando el extremo o la punta de la barra de guía toca un objeto o cuando la madera "se cierra" y presiona la cadena dentro del corte. En algunos casos, el contacto de la punta de la barra puede provocar una rápida reacción de contragolpe y conducir la barra de guía repentinamente hacia arriba y hacia atrás, en dirección al operario. La compresión de la cadena serrada contra la barra de guía puede lanzar la sierra rápidamente hacia atrás, también en dirección al operario. Cualquiera de estas reacciones puede hacer que el operario pierda el control de la sierra y provocarle lesiones graves.

Dispositivos de seguridad de esta sierra contra contragolpes

Esta sierra tiene una cadena de bajo contragolpe y una barra de guía de reducción de contragolpes. Ambas características reducen las probabilidades de contragolpe. Sin embargo, aún pueden ocurrir contragolpes con esta sierra.

Siga las instrucciones de *Ensamblaje* de la página 25. No retire el protector de mano frontal. No lo reemplace con un sustituto.

Las siguientes medidas reducen el riesgo de contragolpe.

- Utilice ambas manos para sujetar la sierra mientras se encuentre en funcionamiento. Sujétela con firmeza: los mangos de la sierra deben quedar bien tomados en sus dedos.
- Mantenga todos los dispositivos de seguridad de la sierra en su lugar. Asegúrese de que funcionen correctamente.
- No se extienda por demás ni realice cortes por encima de la altura de sus hombros.
- Manténgase en posición firme y con buen equilibrio en todo momento.
- Permanezca ligeramente a la izquierda de la sierra. De esta manera, su cuerpo no estará directamente alineado con la cadena.

- No permita que el extremo de la barra de guía toque nada mientras la cadena se halle en movimiento (vea la Figura 1).
- Nunca intente cortar dos troncos de una sola vez. Corte uno por vez.
- No hunda el extremo de la barra de guía ni intente realizar cortes "de punta" (perforando la madera utilizando el extremo de la barra de guía).
- Manténgase alerta a los cambios de posición de la madera y a otras fuerzas que pueden provocar presión sobre la cadena.
- Proceda con suma cautela al reingresar a un corte realizado previamente.
- Utilice la cadena y la barra de guía de contragolpe reducido suministrados con esta sierra. Reemplácelos exclusivamente con las cadenas y barras de guía enumeradas en este manual.
- Nunca utilice cadenas romas (desgastadas) o sueltas. Mantenga la cadena afilada y tensada.

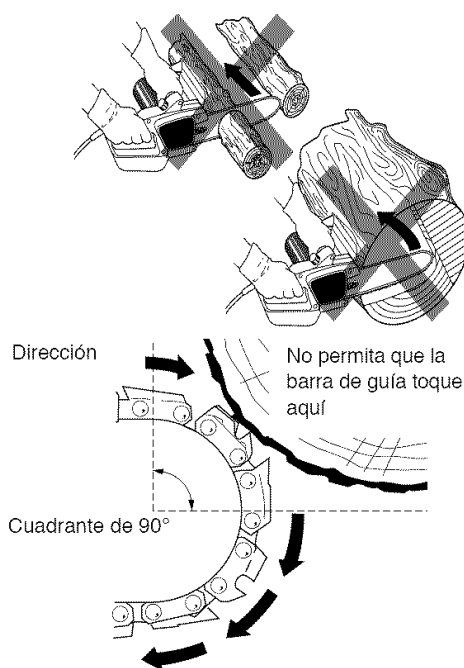


Figura 1 - Ejemplo del peligro de contragolpe: No permita que el extremo de la barra de guía toque el objeto mientras la cadena está en movimiento.

Mantenimiento de la cadena y seguridad contra contragolpes

Siga las instrucciones de mantenimiento de este manual. La limpieza correcta de la sierra y el mantenimiento adecuado de la cadena y la barra de guía pueden reducir las probabilidades de contragolpe. Después de cada uso, inspeccione su sierra y realice las tareas de mantenimiento necesarias. Esto prolongará la vida útil de la sierra. **Nota:** el riesgo de contragolpe puede incrementar cada vez que se afila la cadena, aun al afilarla debidamente.

MANTENIMIENTO Y ALMACENAMIENTO DE SU SIERRA ELÉCTRICA

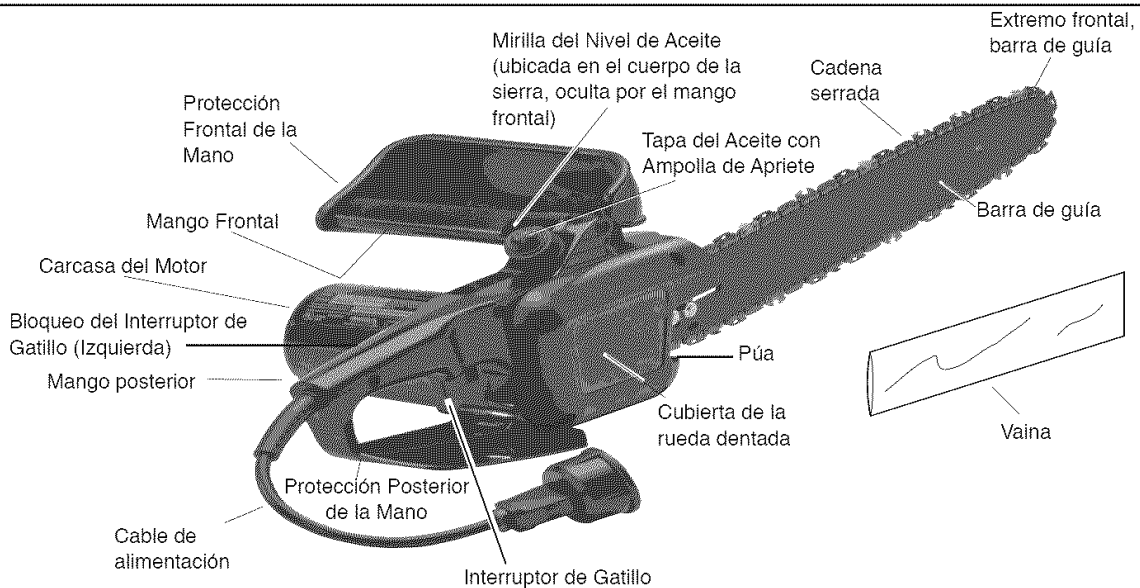
1. Desenchufe la sierra de la fuente de alimentación
 - cuando no se encuentre en uso;
 - antes de trasladarla de un lugar a otro;
 - antes de realizar tareas de servicio en ella;
 - antes de recambiar piezas o accesorios de la misma, tales como la cadena serrada y el protector.
2. Inspeccione la cadena serrada antes y después de cada uso. Inspeccione la sierra detenidamente si se daña el protector u otra parte. Compruebe que no presente daños que pueden afectar la seguridad del operario o de la herramienta en sí. Verifique la alineación y la articulación de las piezas móviles. Compruebe que no haya piezas rotas o dañadas. No utilice la sierra si presenta daños que afectan su funcionamiento o la seguridad del operario. Haga reparar los daños en un centro de servicios autorizado.
3. Cuide de su sierra eléctrica.
 - Nunca la exponga a la lluvia.
 - Mantenga la cadena afilada, limpia y lubricada para mayor rendimiento y seguridad.
 - Para afilar la cadena, siga los pasos delineados en este manual.
 - Mantenga los mangos siempre secos, limpios y sin aceite o grasa.
 - Mantenga ajustadas todas las tuercas y tornillos.
 - Inspeccione el cable de alimentación a menudo. Si se encuentra dañado, hágalo reparar en un centro de servicios autorizado.
 - Nunca acarree la sierra eléctrica llevándola del cable de alimentación.
 - Nunca tire del cable de alimentación para desenchufarlo.
 - Mantenga el cable de alimentación alejado del calor, el aceite y los bordes afilados.
 - Inspeccione los cables de prolongación con frecuencia; si están dañados, reemplácelos.
4. El realizar tareas de servicio, utilice sólo piezas de repuesto idénticas.
5. Cuando no utilice la sierra, guárdela
 - en un sitio alto o bajo llave, fuera del alcance de los niños;
 - en un lugar seco;
 - en un estuche o con la funda colocada sobre la barra de guía.

DESEMBALAJE

1. Retire todos los elementos del embalaje.
2. Inspeccione todos los elementos para asegurar que no se hayan producido daños durante el envío. Si descubre daños o si faltan piezas, llame 1-866-206-2707 (en el Canadá, llame al 1-877-696-5533).

GUARDE ESTAS INSTRUCCIONES.

IDENTIFICACIÓN DEL PRODUCTO



TERMINOLOGÍA

Barra de guía Barra de metal que se extiende hacia adelante desde el cabezal. La barra de guía sostiene y guía la cadena serrada.

Barra de guía de contragolpe reducido Barra de guía que reduce las probabilidades de contragolpe.

Cabezal La sierra eléctrica sin la cadena ni la barra de guía.

Cadena de contragolpe reducido Cadena que reduce las probabilidades de contragolpe según la norma ANSI B175.1.

Cadena de repuesto Cadena que satisface la norma ANSI B175.1 cuando se la utiliza con una sierra específica. Puede no satisfacer las exigencias de ANSI si se la utiliza con otras sierras.

Cadena serrada (Cadena) Una cadena cerrada que tiene eslabones dentados para cortar madera. El motor impulsa la cadena y la barra de guía la sostiene.

Contragolpe Movimiento rápido hacia arriba y hacia atrás de la barra de guía. Los contragolpes pueden producirse cuando el extremo de la barra de guía toca algún objeto mientras la cadena se halla en movimiento. La barra de guía se sacude hacia arriba y hacia atrás, en dirección al operario.

Control de lubricación Sistema para lubricar la cadena y la barra de guía.

Corte de muesca Corte de muesca en un árbol que sirve para dirigir su caída.

Corte inferior Un corte hacia arriba desde el lado inferior de un tronco o una rama. Se realiza adoptando la posición de corte normal, pero utilizando la parte superior de la barra de guía.

Desmembramiento El proceso de cortar ramas de un árbol talado.

Dientes de fijación Protuberancias ("dientes") que se hallan en la sección frontal cabezal, junto a la barra de guía. Mantenga estos dientes en contacto con la madera al talar o trozar, ya que esto contribuye a mantener la posición de la sierra al cortar.

Extremo frontal de la barra de guía La punta de la barra de guía.

Gatillo Dispositivo que enciende y apaga la sierra. Al oprimirlo, la sierra se enciende. Al soltarlo, se apaga.

Interruptor Dispositivo que cierra o interrumpe el circuito eléctrico del motor de la sierra.

Mango anterior Se encuentra en la parte frontal de la sierra.

Mango posterior El mango que se halla en la parte posterior del cabezal.

Podar El proceso de cortar ramas de un árbol con vida.

Posición de corte normal Postura utilizada al realizar cortes para talar un árbol.

Protector de mano frontal Escudo entre el mango frontal y la barra de guía. Protege la mano izquierda mientras se utiliza la sierra.

Retroceso (Contragolpe, Presión) Retroceso rápido de la sierra eléctrica. Puede ocurrir si la parte de la cadena que se encuentra sobre la barra de guía queda presionada, atrapada o toca algún objeto extraño.

Rueda dentada Rueda dentada que impulsa la cadena.

Tala final El último corte que se realiza al talar un árbol. Debe realizarse del lado opuesto a las muescas.

Talar El proceso de cortar y derribar un árbol.

Traba de seguridad Dispositivo que impide el accionamiento accidental de la sierra.

Trozar El proceso de cortar un árbol talado o un tronco en trozos.

Vínculo con el interruptor Este dispositivo conecta el interruptor con el gatillo. Al oprimirse el gatillo, este vínculo mueve el interruptor.

ENSAMBLAJE

Nota: Algunos modelos se suministran previamente ensamblados. No es necesario realizar tareas de ensamblaje en estos modelos.

Vea *Ajuste de Tensión de la Cadena Serrada*.

IMPORTANTE: Lea cuidadosamente este manual antes de armar u operar esta sierra eléctrica. El uso indebido de la misma puede provocar graves lesiones. Guarde este manual para consultarlo cuando lo necesite.

ADVERTENCIA: Los bordes de corte de la cadena son afilados. Al manipular la cadena, utilice guantes de protección.

IMPORTANTE: No coloque ni sujete la sierra eléctrica en una prensa para ensamblarla.

8. Coloque la cadena alrededor del piñón impulsor, luego a lo largo de la ranura superior de la barra guía y alrededor de su punta curva. **Nota:** Asegúrese que los bordes cortantes de la cadena estén con dirección hacia la derecha. Coloque la cadena de modo que los bordes cortantes de la parte superior de la barra guía estén con dirección hacia la punta curva de la barra guía (vea la Figura 3).

9. Regule la tensión de la cadena de la sierra. Siga los pasos indicados en *Ajuste de Tensión de la Cadena Serrada*,

PRECAUCIÓN: Al colocar la cadena sobre la sierra, no lo haga en sentido inverso. En caso contrario, la sierra vibrará intensamente y no cortará.

La Funda plástica de accesorios deberá incluir:

- Dos pernos de la barra guía
- Dos tuercas de la barra guía
- Un tornillo auto roscante cabeza Phillips

1. Extienda la cadena en forma plana.
2. Instale la protección frontal de la mano en el cuerpo de la sierra. Haga esto presionando los dos soportes separadores de montaje de la Protección para la mano hacia los orificios de forma hexagonal en el cuerpo de la sierra (vea la Figura 2).
3. Inserte el tornillo auto roscante a través de la Protección para la mano y hasta el mango de la sierra. Ajuste firmemente el tornillo.
4. Gire el tornillo de regulación en sentido antihorario (vea la Figura 3). Continúe girando el tornillo de regulación hasta que el bloque de regulación esté en la parte posterior de la placa de regulación.
5. Instale la barra guía en el cuerpo de la sierra. Coloque la parte posterior de la barra guía entre la placa de regulación y el soporte del piñón.

IMPORTANTE: Asegúrese de insertar el bloque de regulación en el orificio oval de regulación de la barra guía.

6. Ponga en línea los orificios del soporte del piñón con la ranura central de la barra guía y con los orificios del cuerpo de la sierra.

7. Inserte los pernos de la barra guía a través de: la protección frontal de la mano, cuerpo de la sierra, ranura central de la barra guía, y soporte del piñón. Enrosque las tuercas a los pernos de la barra guía.

IMPORTANTE: Ajuste las tuercas de la barra guía solamente a lo que da la mano. Asegúrese que el bloque de regulación esté en el orificio ovalado de regulación de la barra guía.

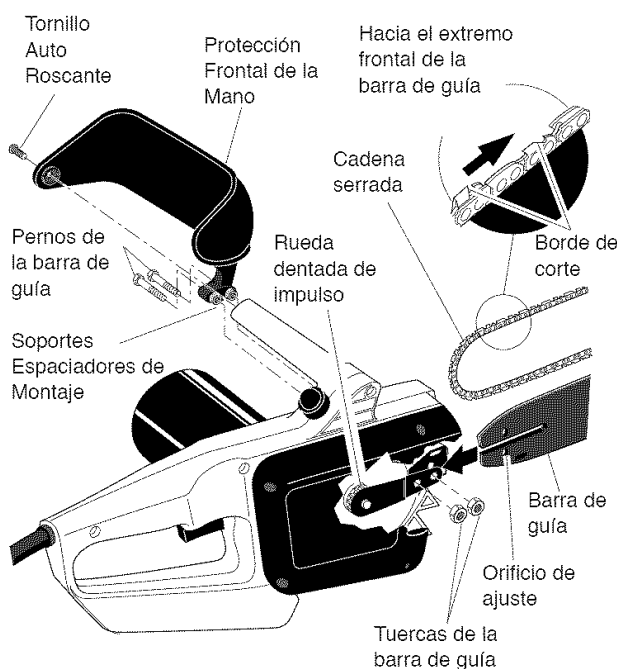


Figura 2 - Ensamble de la Barra Guía, Cadena y Protección para la mano

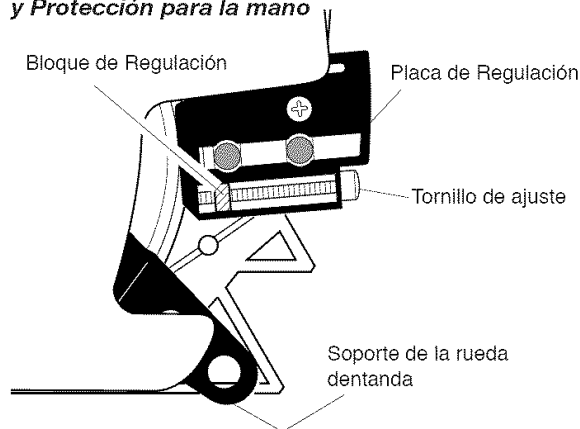


Figura 3 - Ubicaciones de la Zona para el Ensamblaje de la Barra Guía

ESPAÑOL

AJUSTE DE TENSION DE LA CADENA SERRADA

⚠ ADVERTENCIA: Desenchufe la sierra eléctrica antes de ajustar la tensión de la cadena serrada.

⚠ ADVERTENCIA: Los bordes de corte de la cadena son afilados. Al manipular la cadena, utilice guantes de protección.

⚠ ADVERTENCIA: Siempre mantenga la cadena debidamente tensionada. Si la cadena se encuentra suelta, existe mayor riesgo de contragolpes. Además, la cadena suelta puede salir despedida de la ranura de la barra de guía. Esto puede lesionar al operario y provocar daños en la cadena. Si la cadena está suelta, la cadena, la rueda dentada y la barra de guía se desgastarán rápidamente.

Nota: En el caso de los modelos que se suministran ensamblados, la tensión de la cadena se establece correctamente en la fábrica. Al colocar una cadena nueva, ésta se estirará. Inspecciónela después de trabajar con ella durante unos pocos minutos. Permita que se enfríe. Para reajustar la tensión de la cadena, siga estos pasos:

1. Antes de regular la cadena, asegúrese que las tuercas de la barra guía estén solamente ajustadas a mano (Vea la Figura 2. También asegúrese que el bloque de regulación esté en el orificio ovalado de regulación de la barra guía (Vea las Figuras 2 y 3).
2. Gire el tornillo de regulación en sentido horario hasta que no quede holgura en la cadena (vea la Figura 4). **Nota:** No debería haber separación entre los eslabones laterales de la cadena y la parte inferior de la barra de guía (Vea la Figura 5).
3. Mueva la cadena alrededor de la barra de guía (para hacerlo, utilice guantes de protección). La cadena debe moverse libremente. Si no lo hace, afloje la cadena haciendo girar el tornillo de ajuste en sentido antihorario.

4. Una vez que la tensión de la cadena sea correcta, ajuste firmemente los tornillos de la barra de guía. Si no lo hace, la barra de guía se moverá y se aflojará la tensión de la cadena. Esto, a su vez, incrementará el riesgo de contragolpe. También puede provocar daños en la sierra. **Nota:** Las cadenas nuevas se estiran. Inspeccione su cadena nueva después de utilizarla durante unos pocos minutos. Permita que se enfríe y reajuste la tensión de la misma.

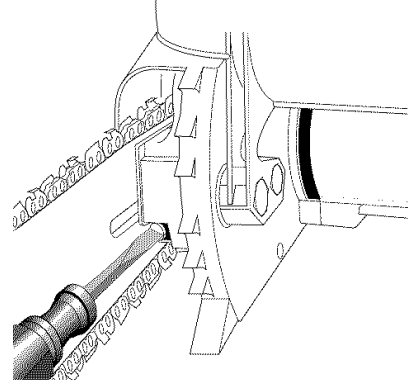


Figura 4 - Girando el Tornillo de Regulación

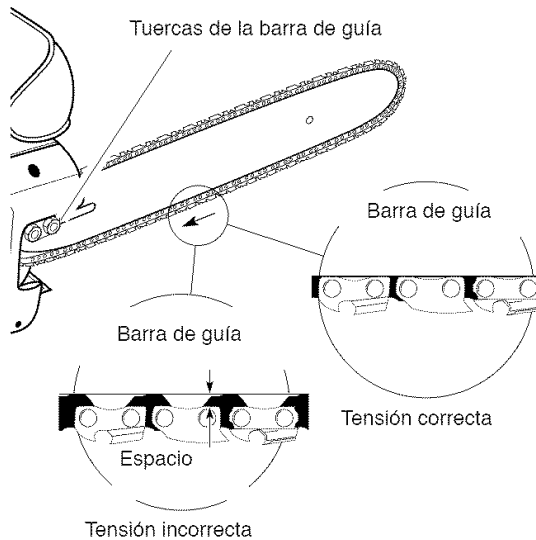


Figura 5 - Ajuste de la cadena serrada

⚠ ADVERTENCIA: Lea detenidamente este manual para el usuario antes de utilizar la sierra eléctrica. Asegúrese de leer y comprender completamente todas las instrucciones en *Información Importante de Seguridad*. El uso indebido de esta sierra eléctrica puede provocar lesiones (y aun la muerte) a causa de incendio, shock eléctrico, el contacto del cuerpo con la cadena en movimiento o la caída de un trozo de un árbol.

LUBRICACIÓN

1. Retire la tapa del tanque de aceite.
2. Llene el tanque con aceite lubricante SAE #30.
Nota: Si utiliza la sierra a temperaturas de menos de 0°C, utilice aceite lubricante SAE #10. Si la utiliza a temperaturas superiores a 23°C, utilice aceite lubricante SAE #40.
3. Vuelva a cerrar el tanque con la tapa inmediatamente. Ajuste la tapa firmemente para evitar el escape de aceite del tanque.
4. Limpie el aceite excedente.

Nota: Es normal que el tanque drene aceite cuando no se utiliza la sierra. Para evitar esto, vacíe el tanque de aceite después de cada uso.

LUBRICACIÓN DE LA CADENA

Compruebe siempre el nivel de aceite antes de utilizar la sierra. No intente utilizar el sistema de lubricación con la sierra en funcionamiento. Para lubricar la cadena, oprima el botón de lubricación; al hacerlo, se dispensará aceite a la barra de guía y a la cadena. Oprima el botón de lubricación al menos una vez antes de cada corte. Revise a menudo el nivel de aceite observando por la mirilla del nivel de aceite. La mirilla del nivel de aceite está en el lado izquierdo de la sierra entre el mango frontal y la protección frontal para la mano.

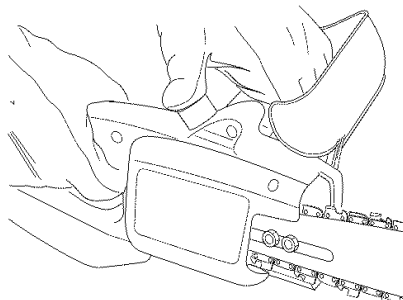


Figura 6 - Presione la Ampolla de Apriete en la Tapa del Aceite para Aceitar la Cadena

CABLES DE PROLONGACIÓN

Utilice cables de prolongación adecuados para esta sierra. Utilice sólo cables de prolongación para el aire libre. El cable debe presentar el sufijo W o W-A después del tipo de cable. **Por Ejemplo:** SJTW-A o SJTW.

Utilice un cable del calibre adecuado para esta sierra.

El cable debe ser lo suficientemente grueso como para conducir la corriente necesaria. El uso de un cable demasiado fino perderá voltaje al llegar a la sierra. La sierra perderá potencia y recalentará. El cable debe cumplir los requerimientos abajo enumerados.

Longitud del cable	Tamaño AWG del cable
7,50 m	16 AWG
15 m	16 AWG
30 m	16 AWG
45 m	14 AWG

Mantenga el cable lejos del área de corte. Asegúrese de que no se enriede en ramas o troncos. Inspecciónelo a menudo. Si se daña, reemplácelo inmediatamente.

Durante el uso, el cable de extensión puede desconectarse del cable de alimentación. Para evitar esto, haga un nudo con los dos cables como se muestra en la Figura 7.

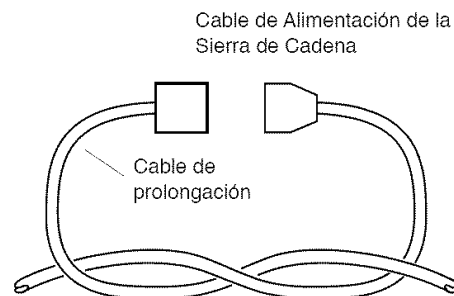


Figura 7 - Amarre del Cable de Extensión con el Cable de Alimentación usando un Nudo

REALIZACIÓN DE CORTES

1. Conecte la sierra al cable de prolongación, y éste a un tomacorriente.
2. Cerciórese de que la porción del tronco que desea cortar no yazca sobre el suelo. De este modo, evitará que la cadena toque el suelo al cortar a través de él. Si la cadena toca el suelo mientras se encuentra en movimiento, se desafilará.
3. Utilice ambas manos para sujetar la sierra. Utilice siempre la mano izquierda para asir el mango anterior y la derecha para tomar la posterior. Sujétela con firmeza: los mangos de la sierra deben quedar bien tomados por sus dedos (voir la Figura 8).

4. Asegúrese de mantener una pisada firme. Mantenga los pies separados y distribuya su propio peso sobre ambos pies en forma equilibrada.
5. Cuando esté listo para realizar un corte, presione con el pulgar derecho el bloqueo del interruptor y apriete el gatillo (Vea la Figura 8); la sierra se encenderá. Al soltar el gatillo, se apagará. Cerciórese de que la cadena está girando a su máxima velocidad antes de comenzar a cortar.
6. Al comenzar a cortar, coloque la cadena en movimiento sobre la madera. Sujete la sierra firmemente en su lugar para evitar que la sierra rebote hacia arriba y hacia abajo o hacia los lados.
7. Conduzca la sierra ejerciendo una ligera presión. No la someta a un esfuerzo excesivo; de lo contrario, el motor se sobrecargará y se quemará. La sierra funcionará de manera mejor y más segura si se la utiliza según ha sido diseñada.
8. Retire la sierra del corte con la cadena girando a la máxima velocidad. Para interrumpir el corte, suelte el gatillo. Asegúrese de que la cadena haya dejado de moverse antes de asentar la sierra.
9. Ejercítense hasta que sea capaz de mantener una velocidad de corte estable y pareja.

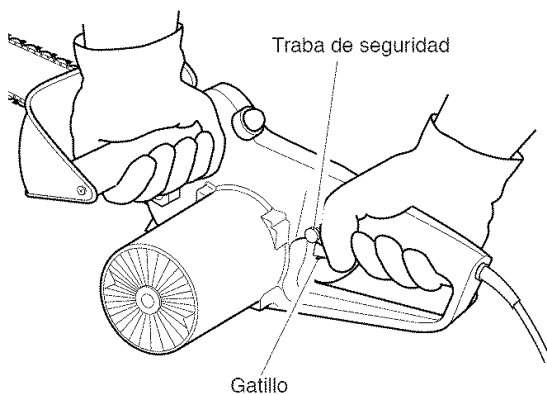


Figura 8 - Ubicación del Bloqueo del Interruptor y el Gatillo

TALA DE UN ÁRBOL (Derribamiento de un árbol)



ADVERTENCIA:

- Evite los contragolpes, ya que pueden provocar lesiones graves y aun la muerte. Para evitar el riesgo de contragolpe, vea la sección *Contragolpes*.
- No se disponga a talar un árbol si no es diestro o no cuenta con ayuda confiable.
- Al talar un árbol, mantenga a los niños, animales y curiosos alejados del área.
- Si dos o más personas realizan tareas de tala y trozado el mismo tiempo, cerciórese de que haya una buena cantidad de espacio entre ellos. El espacio que separa a ambas personas debe ser por lo menos igual al doble de la altura del árbol que se está talando.



ADVERTENCIA: Al talar un árbol, manténgase alerta a su entorno. No provoque daños ni ponga a riesgo a ninguna persona o línea de servicios públicos. Si el árbol cae sobre alguna línea de un servicio público, comuníquese con la compañía correspondiente de inmediato.

La tala es el proceso de derribar un árbol. Asegúrese de contar con una pisada firme. Mantenga los pies separados y distribuya su propio peso sobre ambos pies de manera equilibrada. Para talar un árbol, siga estas instrucciones:

Antes de derribar un árbol

1. Antes de talar un árbol, inspecciónelo. Asegúrese de que no tenga ramas o vástagos secos que puedan caerle encima. Analice la inclinación natural del árbol, la posición de sus ramas más grandes y la dirección del viento. Todo esto le ayudará a decidir hacia qué lado derribar el árbol.
2. Despeje el área de trabajo alrededor del árbol.
3. Planee y despeje un trayecto de retirada para el momento de la caída. Éste debe ser en sentido contrario al de la caída del árbol y a un ángulo de 45° (vea la Figura 9, en la página 29).
4. Retire la tierra, piedras, corteza suelta, clavos, grampas y alambres de las partes del árbol donde aplicará la sierra.
5. Al talar el árbol, manténgase cuesta arriba de él. Una vez derribado, el árbol puede rodar o deslizarse cuesta abajo.

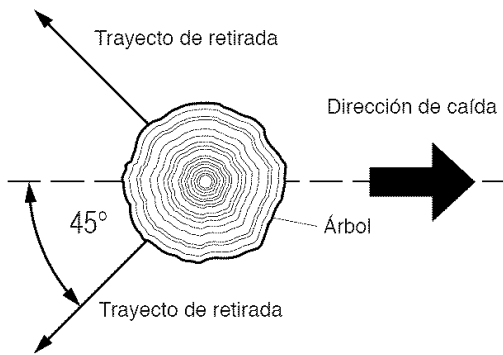


Figura 9- Trayecto de retirada de un árbol

Procedimiento de tala

A) Corte de la muesca

La preparación correcta de una muesca determinará la dirección en que caerá el árbol. Corte la muesca del lado del árbol correspondiente a la dirección en la 0instrucciones a continuación para cortar la muesca.

1. Haga el corte inferior de la muesca tan cerca del suelo como sea posible. Sujete la sierra de modo que la barra de guía se encuentre en posición horizontal. Corte a través del tronco del árbol hasta atravesar 1/3 de su diámetro (vea la Figura 10). **Nota:** Haga siempre este corte inferior horizontal en primer lugar. Si la hace en segundo lugar, el árbol puede presionar la cadena o la barra de guía.
2. Comience el corte superior de la muesca a una distancia del corte inferior igual a la profundidad de éste.

Por ejemplo: Si el corte inferior tiene una profundidad de 20 cm, comience el corte superior 20 cm por encima de aquél. Corte en dirección hacia abajo y a un ángulo de 45°. El corte superior de la muesca debe llegar y unirse al punto final del corte inferior (vea la Figura 10).

3. Retire la cuña creada por los dos cortes de muesca.

B) Tala final

1. Haga el corte de tala final 5 cm por encima del corte inferior de la muesca y sobre el lado opuesto del árbol (vea la Figura 10). Mantenga el corte de tala final paralelo al corte inferior de la muesca.
2. Corte en dirección a la muesca.
3. A medida que el corte final se aproxime al punto de bisagra, el árbol comenzará a caer. **Nota:** Si es necesario, inserte cuñas dentro del corte de tala final para controlar la dirección de la caída. Si el árbol se echa hacia atrás y presiona la cadena, inserte cuñas dentro del corte final para extraer la sierra. Utilice siempre cuñas de madera, plástico o aluminio. Nunca utilice cuñas de metal, ya que podrían provocar contragolpes y dañar la cadena.

4. Cuando el árbol comience a caer, proceda rápidamente a
 - retirar la sierra del corte de tala final;
 - soltar el gatillo para apagar la sierra;
 - asentar la sierra;
 - salir del área por el trayecto de retirada.

⚠ ADVERTENCIA: Manténgase alerta a la caída de ramas del árbol. Mantenga un paso firme al salir del área.

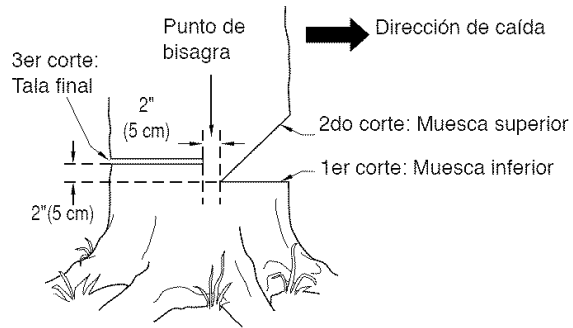


Figura 10 - Tala de un árbol

DESMEMBRAMIENTO DE UN ÁRBOL

⚠ ADVERTENCIA: No atraviese el árbol completamente. Deje alrededor de cinco centímetros de diámetro sin cortar, directamente detrás de la muesca (vea la Figura 10). Esta porción sin cortar funciona a manera de bisagra. La bisagra ayuda a evitar que el árbol se tuerza y caiga en la dirección equivocada.

⚠ ADVERTENCIA: Evite los contragolpes. Éstos pueden provocar lesiones graves y aun la muerte. Para evitar el riesgo de contragolpes, lea la sección *Contragolpes*.

⚠ ADVERTENCIA: Proceda con sumo cuidado al cortar ramas o vástagos de árboles que se encuentran en tensión. Está preparado para actuar en caso de contragolpe de la madera. Al liberarse la tensión de la madera, la rama puede moverse hacia el operario, golpearlo y provocarle lesiones graves y aun la muerte.

Desmembrar un árbol significa retirar las ramas de un árbol caído. Asegúrese de tener una pisada firme. Mantenga los pies separados y distribuya el peso de su cuerpo sobre ambos pies en forma equilibrada.

No retire las ramas grandes que se encuentran por debajo del tronco y separan a éste del suelo. Retire cada rama con un solo corte (vea la Figura 11). Retire las ramas cortadas del área de trabajo con frecuencia para mantener el área segura.

Asegúrese de comenzar a cortar cada rama en un punto donde la sierra no quedará atrapada por presión durante el corte. Para evitar el atrapamiento de la sierra, comience por cortar las ramas que cuelgan libremente, desde arriba hacia abajo. Para cortar ramas en tensión, comience a cortarlas desde abajo. Si la sierra queda atrapada por la presión de la rama, apáguela, levante la rama y retire la sierra.

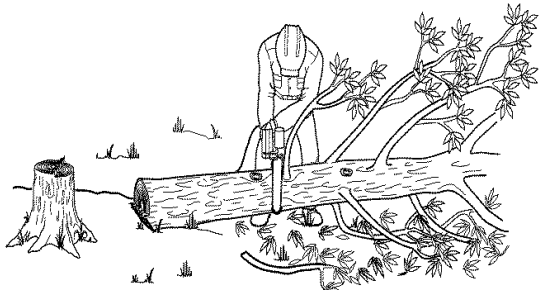


Figura 11 - Desmembramiento de un árbol

TROZADO DE UN TRONCO

⚠ ADVERTENCIA: Evite los contragolpes. Éstos pueden provocar lesiones graves y aun la muerte. Para evitar el riesgo de contragolpes, lea la sección *Contragolpes*.

⚠ ADVERTENCIA:

- Si se halla en una colina, asegúrese de que el tronco no vaya a rodar cuesta abajo. Asegúrelo con estacas de madera. Introduzca las estacas en el suelo, del lado del tronco que se encuentra cuesta abajo. Permanezca en posición cuesta arriba del tronco al cortar, ya que éste puede rodar después de realizarse un corte.
- Nunca intente cortar a través de dos troncos de una sola vez. De lo contrario, puede aumentar el riesgo de contragolpes.
- Al cortar un tronco, nunca lo sostenga con la mano, la pierna o el pie.
- Al cortar un tronco, no permita que otra persona lo sostenga.
- Apague y desenchufe la sierra antes de trasladarse de un lugar a otro.

Trozar un tronco significa cortarlo en secciones. Asegúrese de tener una pisada firme. Mantenga los pies separados y distribuya su propio peso sobre ambos pies en forma equilibrada. Cuando sea posible, levante y separe del piso el tronco o la sección por cortar, utilizando ramas, troncos, cuñas, etc.

Al cortar el tronco, mantenga el control de la operación reduciendo la presión del corte al aproximarse al final del corte. No relaje los músculos de las manos ni deje que la cadena en movimiento toque el suelo. Si la cadena en movimiento toca el suelo, se desafilará. Al terminar de cortar el tronco, suelte el gatillo para apagar la sierra antes de moverla.

Siga estas instrucciones para trozar un tronco.

La totalidad del tronco sobre el suelo

Corte el tronco comenzando por arriba (vea la Figura 12).

Tronco apoyado en un extremo

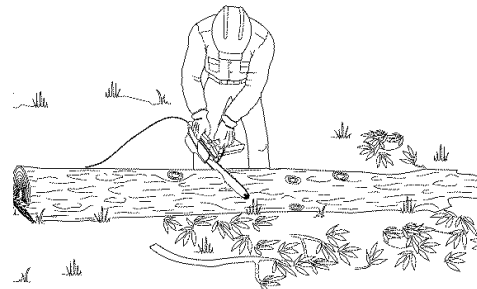


Figura 12 - Trozado del tronco completamente apoyado en el suelo

1. Haga el primer corte del lado inferior del tronco (vea la Figura 13). Utilice la parte superior de la barra de guía para realizar este corte. Atraviese 1/3 del diámetro del tronco. Este corte impedirá la producción de astillas en esta sección al completarse el corte.
2. Haga el segundo corte directamente encima del primero. Corte hacia abajo hasta unir ambos cortes. Este corte impedirá que la barra de guía y la cadena queden atrapadas por la presión del tronco.

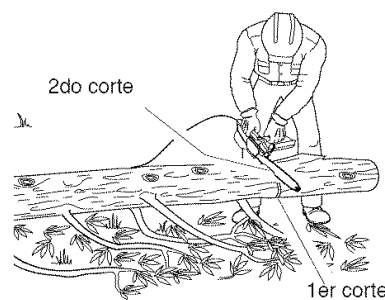


Figura 13 - Trozado del tronco apoyado sobre un solo extremo

Tronco apoyado sobre ambos extremos

1. Haga el primer corte del lado superior del tronco (vea la Figura 14). Atraviese 1/3 del diámetro del tronco. Este corte impedirá la producción de astillas en esta sección al completarse el corte.
2. Haga el segundo corte directamente debajo del primero. Utilice la parte superior de la barra de guía para realizar este corte. Corte hacia arriba hasta unir ambos cortes. Este corte impedirá que la barra de guía y la cadena queden atrapadas por la presión del tronco.

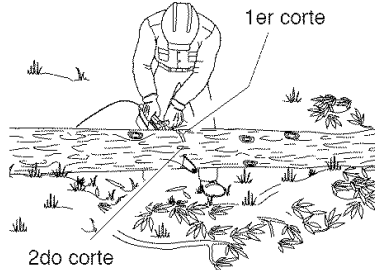


Figura 14 - Trozado del tronco apoyado sobre ambos extremos

PODA DE UN ÁRBOL

ADVERTENCIA: Evite los contragolpes. Éstos pueden provocar lesiones graves y aun la muerte. Para evitar el riesgo de contragolpes, lea la sección *Contragolpes*.

ADVERTENCIA: No utilice la sierra eléctrica mientras se encuentre

- arriba de un árbol;
- sobre una escalera o cualquier otra superficie inestable;
- en cualquier posición incómoda.

Puede perder el control de la sierra y provocar graves lesiones.

ADVERTENCIA: No corte ramas que se encuentren a una altura mayor que la de sus hombros.

PRECAUCIÓN: Si las condiciones del trabajo exceden sus capacidades, busque asistencia profesional.

Podar un árbol es el proceso de cortar ramas de un árbol con vida. Asegúrese de contar con una pisada firme. Mantenga los pies separados y distribuya su peso sobre ambos pies en forma equilibrada. Para podar un árbol, siga estos pasos:

1. Haga el primer corte a quince centímetros del tronco del árbol, del lado inferior de la rama. Utilice el lado superior de la barra de guía para realizar este corte. Atraviese la rama hasta llegar a 1/3 de su diámetro. (vea la Figura 15).
2. Desplácese entre cinco y diez centímetros hacia el extremo de la rama. Haga el segundo corte desde la parte superior de al misma. Atraviese la rama completamente hasta cortarla.
3. Haga el tercer corte tan cerca del tronco como sea posible, del lado inferior de la rama. Utilice la parte superior de la barra de guía. Atraviese la rama hasta alcanzar 1/3 de su diámetro.
4. Haga el cuarto corte directamente encima del tercero. Corte hacia abajo hasta unirse al tercer corte. De esta manera conseguirá retirar la base de la rama.

2do corte: Poda preliminar (para evitar la compresión durante la poda final)

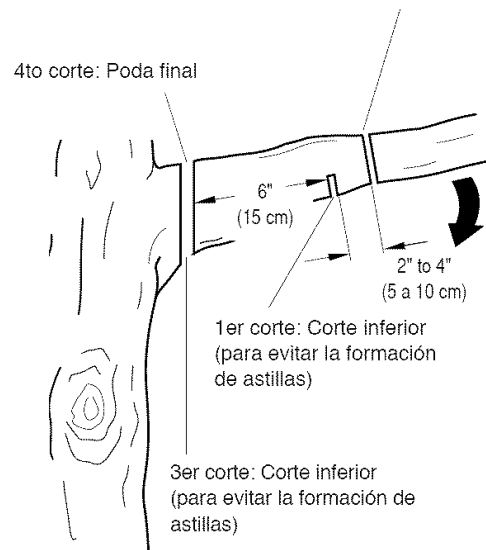


Figura 15 - Poda de una rama

AVISO: A continuación encontrará instrucciones para la realización de tareas de servicio en su sierra eléctrica. Toda tarea de servicio que no se encuentre incluida a continuación debe realizarse en un centro de servicios autorizado.

LIMPIEZA Y MANTENIMIENTO

LIMPIEZA DEL CABEZAL

⚠ ADVERTENCIA: Desenchufe la sierra eléctrica antes de realizar tareas de servicio en ella. Un shock eléctrico o el contacto de su cuerpo con la cadena en movimiento pueden provocarle graves lesiones y aun la muerte.

⚠ ADVERTENCIA: Los bordes de corte de la cadena son afilados. Utilice guantes de protección al manipular la cadena.

⚠ ADVERTENCIA: Al limpiar el cabezal,

- no sumerja la sierra en líquido alguno;
- no utilice productos que contengan amoníaco, cloro o elementos abrasivos;
- no utilice solventes limpiadores clorinados, tetracloruro de carbono, querosén o gasolina.

Mantenga el cabezal limpio. Utilice un paño suave humedecido con una mezcla de jabón suave y agua. Frote este paño sobre el cabezal para limpiarlo.

CUIDADO DE LA BARRA DE GUÍA

La mayoría de los problemas de la barra de guía son producto de su desgaste desparejo. A menudo este desgaste se debe a errores en el afilado de los elementos de corte de la cadena y en los valores de medida de profundidad. Cuando la barra se desgasta de manera despareja, la ranura de la misma se ensancha (vea la Figura 16). Esto causa el matraqueo de la cadena y la rotura y expulsión de los remaches. La sierra no cortará en línea recta. Si esto ocurre, reemplace la barra de guía.

Inspeccione la barra de guía antes de afilar la cadena. Una barra de guía desgastada o dañada es insegura y daña la cadena. También dificulta la realización de cortes.

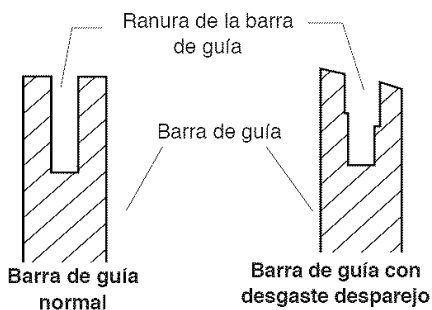


Figura 16 - Sección transversal de la barra de guía que ilustra el desgaste desparejo de la misma

Mantenimiento normal de la barra de guía

1. Retire la barra de guía de la sierra.
2. Retire el polvo y la tierra de la ranura de la barra de guía en forma periódica. Para ello, utilice una espátula o un alambre (vea la Figura 17).
3. Limpie las ranuras de aceite al final de cada día de uso de la sierra.
4. Retire la rebaba de los lados de la barra de guía. Utilice una escofina plana para encuadrar los bordes laterales.

Reemplace la barra de guía cuando

- se encuentre doblada o rasgada;
- la ranura interior de la barra esté sumamente desgastada;

Nota: Para reemplazar la barra de guía, lea la sección *Accesorios y Piezas de Repuesto* para adquirir la barra de guía correcta.

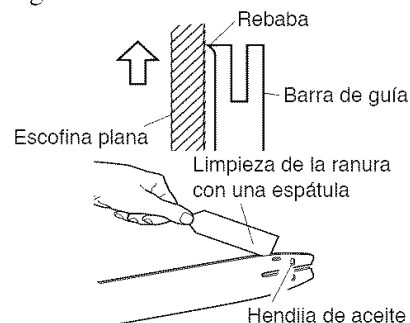


Figura 17 - Mantenimiento de la barra de guía

AFILADO DE LA CADENA

⚠ ADVERTENCIA: Desenchufe la sierra antes de realizar tareas de servicio. Un shock eléctrico o el contacto de su cuerpo con la cadena en movimiento puede provocarle lesiones graves y aun la muerte.

⚠ ADVERTENCIA: Los bordes de corte de la cadena son afilados. Utilice guantes de protección al manipular la cadena.

Mantenga la cadena afilada. La sierra cortará de manera más rápida y segura. El uso de una cadena desafilada provocará el desgaste innecesario de la rueda dentada, la barra de guía y el motor. Si resulta necesario aplicar fuerza para introducir la cadena en la madera, y si al cortar sólo obtiene viruta y algunos trozos grandes, la cadena está desafilada.

Elementos necesarios para afilar la cadena

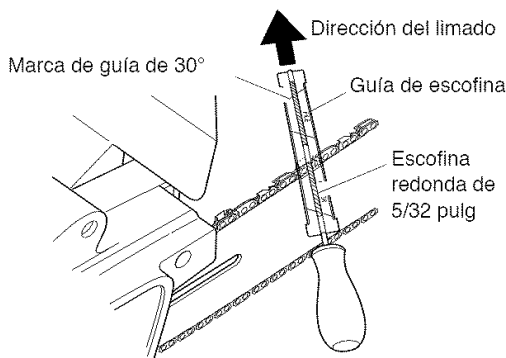
Puede comprar estos elementos en su concesionario, ferretería o tienda de accesorios para sierras eléctricas cercanos.

- Escofina redonda de 5/32 pulgada
- Calibrador de medida de profundidad
- Guía de escofina
- Prensa
- Escofina plana de tamaño medio

Afilado de los elementos de corte

Utilice la guía de escofina para limar a un ángulo de 30°.

1. Ajuste la tensión de la cadena hasta alcanzar la tensión adecuada (vea la sección *Ajuste de Tensión de la Cadena Serrada*)
2. Sujete la barra de guía en la prensa para mantener estable la sierra. **Nota:** No aplique la prensa a la cadena.
3. Introduzca la escofina redonda de 5/32 de pulgada (adherida a la guía de escofina) en la ranura entre la placa superior y la medida de profundidad de la cadena. La guía de escofina debe descansar tanto sobre la placa superior como sobre la medida de profundidad (vea la Figura 18). **Nota:** Al limar, hágalo en el punto medio de la barra de guía.
4. Sostenga la guía de escofina a nivel. Cerciórese de que la marca de 30° de la guía de escofina sea paralela al centro de la barra de guía (vea la Figura 18). Esto asegurará que el afilado de los elementos de corte se realice a un ángulo de 30°.
5. Lime desde adentro hacia afuera del elemento de corte hasta que quede afilado. Sólo aplique la escofina en esta dirección (vea la Figura 18). **Nota:** Bastarán dos o tres pasadas para afilar cada elemento de corte.
6. Luego de afilar cada elemento de corte, mueva la cadena hacia adelante para afilar el siguiente elemento. Afile todos los elementos de corte a un lado de la cadena.
7. Diríjase al otro lado de la cadena y repita el mismo proceso.



Nota: Esta Figura ilustra la colocación de la guía de escofina y la dirección del limado para afilar los dientes del lado izquierdo de la cadena.

Figura 18 - Colocación de la guía de escofina y de la escofina sobre la cadena

Limado de los calibradores de medida de profundidad

El espacio de la medida de profundidad del elemento de corte se reduce al afilar dichos elementos. Vuelva a establecer las medidas de profundidad de los elementos de corte cada dos o tres afiladas.

1. Coloque el calibrador de medida de profundidad (.635 mm) firmemente a lo largo de dos elementos de corte. Asegúrese de que la medida de profundidad penetra en la ranura del calibrador de la medida de profundidad (vea la Figura 19).
2. Utilice una escofina plana de tamaño medio. Lime el nivel de medida de profundidad con el calibrador de medida de profundidad.
3. Retire el calibrador de medida de profundidad. Utilice una escofina plana para redondear la esquina frontal de la medida de profundidad del elemento de corte (vea la Figura 20).

Después de afilar la cadena a mano en varias oportunidades, haga que un centro de servicios autorizado o una máquina de afilar afile la cadena. Esto asegurará que el limado quede parejo.

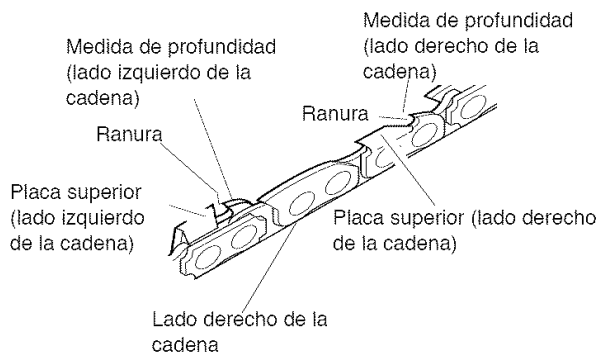


Figura 19 - Posición de las partes de la cadena

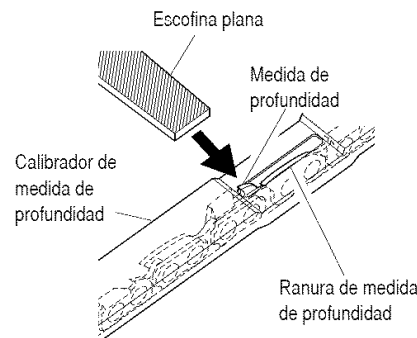


Figura 20 - Calibrador de medida de profundidad en la cadena

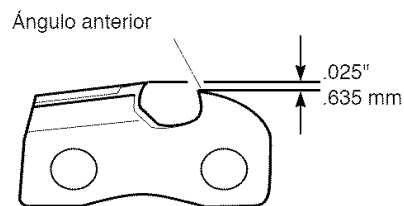


Figura 21 - Redondeo del ángulo anterior de la medida de profundidad

RECAMBIO DE LA CADENA SERRADA


Reemplace la cadena cuando los elementos de corte se encuentren demasiado gastados para ser afilados o cuando se rompa la cadena. Utilice únicamente la cadena de repuesto indicada en este manual. Al reemplazar la cadena, cambie también la rueda dentada. De ese modo asegurará el correcto accionamiento de la cadena. **Nota:** Para saber cuál es la cadena y la rueda dentada adecuada a su modelo, consulte la sección *Accesorios y Piezas de Repuesto*.

ALMACENAMIENTO

Para almacenar la sierra durante más de 30 días, siga estos pasos:

1. Vacíe el tanque de aceite.
2. Retire y limpie la barra de guía y la cadena. Para ello, sumérlas en un solvente a base de petróleo o en una mezcla de agua y jabón suave.
3. Seque la barra de guía y la cadena.
4. Coloque la cadena en un contenedor lleno de aceite. Esto impedirá que se oxide.
5. Cubra la superficie de la barra de guía con una fina lámina de aceite.
6. Limpie la parte externa del cabezal con un paño suave humedecido con una mezcla de agua y jabón suave.
7. Guarde la cadena serrada
 - en un sitio alto o bajo llave, fuera del alcance de niños;
 - en un sitio seco;
 - en un estuche o con la barra de guía cubierta por una funda.

ACCESORIOS Y PIEZAS DE REPUESTO

 **ADVERTENCIA:** Utilice únicamente piezas y accesorios descritos en este manual. El uso de otras piezas o accesorios puede dañar la sierra o lesionar a su operario.

Para accesorios y piezas de repuesto originales llame al 1-866-206-2707 (en el Canadá llame al 1-877-696-5533) o visite www.remingtonpowertools.com.

SERVICIO DE REPARACIÓN

Nota: Use sólo piezas de repuesto originales. Esto protegerá la cobertura de su garantía de las piezas repuestas bajo garantía.

Para mantenimiento, llame al Departamento de Apoyo al Cliente para obtener una lista de distribuidores de servicio autorizados de su localidad. El mantenimiento y reparación de este equipo, ya sea durante o después del periodo cubierto por la garantía, deben ser realizados solamente por un proveedor de servicios autorizado y aprobado.

Llame al 1-866-206-2707 (en el Canadá llame al 1-877-696-5533) o visite www.remingtonpowertools.com.

DIAGNÓSTICO Y RESOLUCIÓN DE PROBLEMAS

Nota: Para obtener más ayuda, visite www.remingtonpowertools.com.

⚠ ADVERTENCIA: Desenchufe la sierra eléctrica antes de realizar tareas de servicio. Un shock eléctrico o el contacto corporal con la cadena en movimiento pueden provocar lesiones graves y aun la muerte.

FALLA OBSERVADA	CAUSA POSIBLE	SOLUCIÓN
La sierra funciona, pero no corta	La cadena se encuentra colocada sobre la barra de guía en sentido inverso	Vea Ensamblaje.
La sierra no corta a menos que se aplique gran fuerza sobre ella. Al cortar, sólo produce viruta y unas pocos trozos grandes	La cadena está desafilada	Vea Afilado de la Cadena.
La sierra funciona lentamente y se atasca con facilidad	Bajo voltaje de entrada	El cable de prolongación es demasiado fino. Vea Cables de Prolongación
El motor de la sierra no funciona al oprimirse el gatillo	<ol style="list-style-type: none"> 1. No se ha empujado la traba de seguridad hacia adelante para liberar el gatillo 2. Las conexiones del cable de prolongación están sueltas 3. Fusible quemado o cortacorriente abierto 4. Cepillos de motor gastados 5. Circuito interrumpido en la sierra 	<ol style="list-style-type: none"> 1. Empuje la traba de seguridad hacia adelante antes de oprimir el gatillo 2. Verifique las conexiones de los cables 3. Verifique el cortacorriente o el fusible de línea 4. Dirijase a un centro de servicios autorizado 5. Dirijase a un centro de servicios autorizado
El motor de la sierra funciona pero la cadena no se mueve	Rueda dentada impulsada con engranaje	Quite y vea si el piñón motriz está dañado
La cadena no recibe lubricación	<ol style="list-style-type: none"> 1. Ranura de aceite obstruida en la barra de guía 2. Aceite demasiado viscoso 	<ol style="list-style-type: none"> 1. Retire la barra de guía y limpie la ranura de aceite 2. Utilice aceite de la viscosidad adecuada. Vea la sección Lubricación
La cadena se sale de la barra de guía	<ol style="list-style-type: none"> 1. La cadena está suelta 2. La barra guía y la cadena no están ensambladas correctamente 	<ol style="list-style-type: none"> 1. Ajuste la cadena. Vea la sección Ajuste de Tensión de la Cadena Serrada. 2. Vea Ensamblaje.
La sierra despide humo	Sierra dañada. No utilizarla	Dirijase a un centro de servicios autorizado
La sierra pierde aceite	La tapa del tanque de aceite bien cerrada	Ajuste la tapa del tanque de aceite Nota: Vacíe el tanque de aceite cuando no utilice la sierra

ESPAÑOL

INFORMACIÓN DE GARANTÍA

GARANTÍA LIMITADA DEL FABRICANTE PARA:

Remington LLC concede la garantía limitada establecida debajo para mercancías nuevas que sean compradas y usadas en los Estados Unidos, sus posesiones y territorios.

Remington LLC garantiza este producto contra defectos en el material y la mano de obra durante un período de un (1) año, a partir de la fecha de compra original y a su entera discreción, arreglará o substituirá sin costo alguno cualquier pieza cuyo material o mano de obra se considere defectuoso. Esta garantía limitada se deberá aplicar únicamente si este producto ha sido manejado y mantenido de acuerdo al Manual del Operario incluido con el producto y, si no ha sido sometido a mal uso, abuso, uso comercial, negligencia, accidente, mantenimiento inapropiado, alteración, vandalismo, hurto, fuego, agua o daños debidos a otros riesgos o desastre natural. Los daños ocasionados por la instalación o el uso de cualquier accesorio o aditamento que no esté aprobado por Remington y que sea usado con el (los) producto(s) contemplados en este manual, anularán la garantía con respecto a cualquier daño resultante.

Esta garantía está limitada a noventa (90) días a partir de la fecha de compra original al detalle de cualquier producto Remington que se use para alquiler, para propósitos comerciales o cualquier otro propósito que genere ingresos.

CÓMO OBTENER SERVICIO: El servicio de garantía está disponible A TRAVÉS DE SU DISTRIBUIDOR DE SERVICIO LOCAL AUTORIZADO, AL PRESENTAR EL COMPROBANTE DE COMPRA. Para localizar al distribuidor en su área, busque el aviso clasificado en las Páginas Amarillas, llame al **1-866-206-2707** en EE.UU. o al **1-877-696-5533** en Canada, o escriba a Remington LLC, P.O. Box 361032, Cleveland, OH 44136.

Esta garantía limitada no ofrece cobertura en los siguientes casos:

- A. Sincronizaciones - bujías, ajustes de carburadores, filtros.
- B. Artículos de desgaste, perillas percusivas, carretes externos, línea de corte, carretes internos, polea de arranque, cuerdas de arranque, correas motoras.
- C. Remington no le ofrece ninguna garantía a los productos que sean vendidos o exportados fuera de los Estados Unidos de América, sus posesiones y territorios, excepto aquellos que se vendan a través de los canales de distribución para exportación autorizados por Remington.

Remington se reserva el derecho a cambiar o mejorar el diseño de cualquier producto Remington, sin adoptar ninguna obligación para modificar cualquier producto fabricado con anterioridad.

Ninguna garantía implícita es aplicable después del período de aplicabilidad de la garantía expresa escrita con anterioridad, incluyendo cualquier garantía implícita de comerciabilidad o idoneidad para un propósito particular con respecto a las piezas identificadas. Exceptuando lo mencionado anteriormente, ninguna otra garantía expresa bien sea escrita o verbal con respecto a cualquier producto que sea concedida por cualquier persona o entidad, incluyendo al distribuidor o minorista, deberá comprometer a Remington LLC durante el período de la Garantía, el remedio exclusivo es el arreglo o la sustitución del producto según lo establecido anteriormente. (Algunos estados no permiten limitaciones en cuanto al período de duración de una garantía implícita, de manera que puede que la limitación anterior no sea aplicable en su caso.)

Las estipulaciones establecidas en esta Garantía ofrecen la solución única y exclusiva que resulte de las ventas. Remington no deberá ser responsable de pérdidas o daños incidentales o consecuentes que incluyan, sin limitación, gastos incurridos debido a la sustitución de servicios de mantenimiento de prados, transporte o gastos relacionados, o gastos de alquiler para reemplazar temporalmente un producto bajo garantía. (Algunos estados no permiten limitaciones en cuanto al período de duración de una garantía implícita, de manera que puede que la limitación anterior no sea aplicable en su caso.)

Ningún tipo de recuperación deberá ser superior al precio de compra del producto vendido, en ningún caso. La alteración de las características de seguridad del producto deberá anular esta Garantía. Usted adopta el riesgo y la obligación de la pérdida, daño o lesión en su persona o a su propiedad y/o la de otras personas y sus propiedades, que se origine a raíz del uso o mal uso, o la incompetencia para usar el producto.

Esta garantía limitada no deberá cubrir a ninguna otra persona distinta al comprador original, arrendatario original, o la persona para la cual se compró en calidad de regalo.

Relación de las leyes estatales con esta Garantía: Esta garantía le confiere derechos legales específicos, y puede que usted también tenga otros derechos, los cuales varían en cada estado.

Para localizar al distribuidor de servicio local más cercano, marque el número **1-866-206-2707** en EE.UU. o al **1-877-696-5533** en Canada.

REMINGTON LLC

P.O. Box 361032
Cleveland, OH 44136

REMINGTON®

TRONÇONNEUSE ÉLECTRIQUE PRIME MANUEL D'UTILISATION ET D'ENTRETIEN



MODÈLES

RM1215U, RM1415U, RM1415A

FRANÇAIS

IMPORTANT: Il est recommandé de lire et comprendre ce manuel avant d'assembler cette tronçonneuse et de l'utiliser. L'utilisation incorrecte de la tronçonneuse risque d'entraîner des blessures graves. Conserver ce manuel pour pouvoir s'y référer ultérieurement.

PART NO. 769-05149 P00

(06/09)

CONSIGNES DE SÉCURITÉ IMPORTANTES	39
Avant d'utiliser la tronçonneuse.....	39
Pendant l'utilisation de la tronçonneuse.....	39
Recul.....	40
Entretien et remisage de la tronçonneuse.....	41
DÉBALLAGE	42
IDENTIFICATION DU PRODUIT	42
VOCABULAIRE DE LA TRONÇONNEUSE	43
MONTAGE	44
RÉGLAGE DE LA TENSION DE LA CHAÎNE	45
UTILISATION DE LA TRONÇONNEUSE	46
Remplissage du réservoir d'huile.....	46
Lubrification de la chaîne.....	46
Rallonges électriques.....	46
Sciage avec la tronçonneuse.....	46
Abattage d'un arbre.....	47
Ébranchage.....	48
Tronçonnage d'une bille.....	49
Taille d'un arbre (Élagage).....	50
NETTOYAGE ET ENTRETIEN	51
Nettoyage du carter de tronçonneuse.....	51
Entretien de la guide-chaîne.....	51
Affûtage de la chaîne.....	51
Remplacement de la chaîne.....	53
REMISAGE	53
PIÈCES DE RECHANGE ET ACCESSOIRES	53
SERVICE DE RÉPARATION	53
Service sous garantie.....	53
Service hors garantie.....	53
DÉPANNAGE	54
INFORMATION SUR LA GARANTIE	55

CONSERVEZ CES INSTRUCTIONS

L'ensemble des informations, illustrations et caractéristiques sont basées sur les toutes dernières informations disponibles sur le produit à l'impression de ce guide. Nous nous réservons le droit d'effectuer des modifications à tout moment sans notification préalable.

Copyright© 2009 MTD SOUTHWEST INC, Tous droits réservés.

CONSIGNES DE SÉCURITÉ IMPORTANTES



AVERTISSEMENT : lorsque vous utilisez une scie à chaîne électrique, vous devez toujours suivre les précautions de sécurité de base pour réduire les risques d'incendie, de choc électrique et de blessures aux personnes, y compris ce qui suit :

LISEZ TOUTES LES INSTRUCTIONS

S'assurer d'avoir lu et compris toutes les directives de la rubrique *Consignes de Sécurité Importantes*. L'utilisation incorrecte de cette tronçonneuse peut entraîner des blessures graves ou la mort, résultant d'un incendie, de chocs électriques, d'un contact du corps avec la chaîne en mouvement ou de la chute de bois.

AVANT D'UTILISER LA TRONÇONNEUSE

1. Avant d'utiliser la tronçonneuse, lire et comprendre ce manuel d'utilisation et d'entretien.
2. Regardez ce que vous faites. Faites preuve de bon sens. N'utilisez pas la tronçonneuse lorsque vous êtes fatigué.
3. Utiliser uniquement la tronçonneuse pour couper du bois. Ne pas utiliser la tronçonneuse à des fins pour lesquelles elle n'a pas été prévue. Ne pas l'utiliser pour couper du plastique, du béton, etc.
4. La tronçonneuse ne doit être utilisée que par des adultes qui ont appris comment s'en servir. Ne jamais laisser des enfants s'en servir.
5. Utiliser uniquement la tension de courant électrique indiquée sur la plaque signalétique de la tronçonneuse.
6. Utiliser uniquement des rallonges électriques spécifiées pour l'usage à l'extérieur. Se reporter pour les conditions requises.
7. Ne pas utiliser la tronçonneuse :
 - lorsqu'on est sous l'influence d'alcool, de médicaments ou de drogues,
 - sous la pluie, dans les endroits humides ou mouillés,
 - là où se trouvent des liquides ou gaz très inflammables,
 - si elle est abîmée, mal réglée ou incomplètement assemblée,
 - si la gâchette ne commande pas la mise en marche et l'arrêt ; la chaîne doit s'immobiliser dès qu'on lâche la gâchette ; faire remplacer l'interrupteur défectueux par un réparateur agréé ;
 - lorsqu'on est pressé

- quand on se trouve sur un arbre ou une échelle, à moins d'avoir été formé spécialement.
8. Lors de l'utilisation de la tronçonneuse, porter des vêtements ajustés ; ne pas porter de vêtements amples ni de bijoux qui pourraient se prendre dans la chaîne en mouvement.
 9. Lors de l'utilisation de la tronçonneuse, porter l'équipement de sécurité suivant :
 - gants renforcés (gants en caoutchouc si l'on travaille dehors),
 - chaussures de sécurité à bout acier avec semelles antidérapantes,
 - protection des yeux telle que lunettes de sécurité, lunettes-masque, ou masque,
 - casque de sécurité,
 - serre-tête antibruit ou bouchons d'oreilles,
 - coiffe antiscalp pour retenir les cheveux longs,
 - masque ou masque antipoussières (si l'on travaille dans une atmosphère poussiéreuse).
 10. Avant de couper, toujours prévoir les éléments suivants :
 - une zone de travail dégagée,
 - un équilibre stable,
 - un chemin de dégagement pour s'écarter de l'arbre qui tombe.
 11. Inspecter l'arbre avant de l'abattre. S'assurer qu'il n'y a pas de branches mortes qui pourraient tomber sur l'utilisateur.
 12. Pour réduire le risque de choc électrique, cette tronçonneuse a une fiche polarisée (une lame est plus large que l'autre). Cette fiche ne peut s'insérer dans une prise polarisée que dans un sens. Si la fiche ne s'insère pas complètement dans la prise de la rallonge électrique, retourner la fiche. Si elle ne s'insère toujours pas, une rallonge électrique polarisée sera nécessaire. Ne modifier en aucune manière la fiche.

PENDANT L'UTILISATION DE LA TRONÇONNEUSE

1. Rester vigilant. Faire preuve de bon sens pendant l'utilisation de la tronçonneuse.
2. Maintenir la zone de travail propre. Les endroits encombrés sont favorables aux accidents.
3. Surveiller la rallonge électrique pendant l'utilisation de la tronçonneuse. Faire attention de ne pas trébucher dessous. Maintenir en permanence le cordon à l'écart de la chaîne et de l'opérateur.
4. Maintenir enfants, animaux et toutes personnes présentes à l'écart de la tronçonneuse et de la rallonge électrique. L'utilisateur seul doit se trouver dans la zone de travail.

FRANÇAIS

CONSIGNES DE SÉCURITÉ IMPORTANTES

5. N'abatte un arbre que si l'on a été formé ou si l'on dispose d'assistance expérimentée.
6. Si deux ou plusieurs personnes participent aux travaux de tronçonnage et d'abattage en même temps, prévoir un espace suffisant entre les différentes opérations. Il faut une distance au moins égale à deux fois la hauteur de l'arbre à abattre.
7. Fixer le bois que l'on est en train de couper à l'aide de colliers ou crampons.
8. Saisir la tronçonneuse fermement des deux mains. Ne jamais la tenir d'une seule main pendant son fonctionnement. Ne jamais se servir de l'écran de protection de la main comme d'une poignée.
9. Ne mettre le doigt sur la gâchette que lorsqu'on est prêt à entailler.
10. Avant de mettre l'outil en marche, s'assurer que la chaîne ne touche rien.
11. Pour prévenir les chocs électriques, éviter tout contact du corps avec des objets reliés à la terre, tels que des conduites, des clôtures et des poteaux métalliques.
12. Lorsque l'outil est en marche, n'approcher de la chaîne aucune partie du corps.
13. Ne pas forcer sur la tronçonneuse pendant la coupe. N'appliquer qu'une pression légère. Elle fonctionnera de façon plus efficace et plus sûre à la vitesse pour laquelle elle a été prévue.
14. Couper la broussaille peu épaisse et les jeunes pousses avec grandes précautions car ces matériaux légers peuvent se prendre dans la chaîne et être projetés vers l'utilisateur. Dans ce cas, il risque aussi de perdre l'équilibre.
15. Quand on coupe une branche ou un tronc d'arbre sous tension, faire également très attention. Le bois fait ressort : quand la tension disparaît, la branche projetée risque de heurter l'utilisateur, entraînant des blessures graves ou la mort.
16. Pour transporter la tronçonneuse d'un endroit à un autre :
 - arrêter et débrancher la tronçonneuse ;
 - tenir l'outil par la poignée avant (jamais par l'écran de protection avant de la main) ;
 - ne pas laisser le doigt sur la gâchette ;
 - placer la guide-chaîne et la chaîne vers l'arrière.



AVERTISSEMENT : Ce produit contient des produits chimiques qui, selon l'état de la Californie, serait à l'origine de cas de cancer, d'anomalie congénitale et de problème de la reproduction.



AVERTISSEMENT : Certaines poussières produites par les opérations de ponçage mécanique, de sciage, de meulage, de perçage et d'autres activités liées à la construction contiennent des produits chimiques connus (par l'État de la Californie) comme pouvant provoquer le cancer, des malformations congénitales ou d'autres effets nocifs à l'égard des fonctions de la reproduction. Quelques exemples de tels produits chimiques :

- le plomb contenu dans les peintures à base de plomb ;
- la silice cristalline contenue dans les briques, le ciment et d'autres produits de maçonnerie ;
- l'arsenic et le chrome contenus dans le bois de construction traité chimiquement.

La susceptibilité à ces risques d'exposition varie suivant la fréquence avec laquelle vous faites ce type de travail. Pour réduire votre exposition à ces produits chimiques : ne travaillez que dans des aires bien ventilées et en portant des équipements de sécurité homologués, comme les masques antipoussières conçus spécialement pour retenir les particules microscopiques.

RECU



AVERTISSEMENT : Un recul peut se produire lorsque le nez ou le bout de la guide-chaîne touche un objet ou lorsque le bois se resserre et pince la chaîne de la tronçonneuse dans la coupe. Dans certains cas, un contact du bout peut provoquer une réaction inverse extrêmement rapide, propulsant la guide-chaîne vers le haut et vers l'arrière en direction de l'opérateur. Un pincement de la chaîne de la tronçonneuse le long de la partie supérieure de la guide-chaîne peut repousser rapidement la guide-chaîne vers l'opérateur. Ces réactions peuvent toutes deux provoquer une perte de contrôle de la tronçonneuse pouvant entraîner des blessures graves pour l'utilisateur.

Dispositifs de protection contre le recul sur cette tronçonneuse

Cette tronçonneuse est munie d'une chaîne à faible recul et d'une guide-chaîne à recul réduit. Ces deux éléments réduisent le risque de recul. Cependant, celui-ci peut encore se produire.

CONSIGNES DE SÉCURITÉ IMPORTANTES

Suivre les instructions de *Montage* qui se trouvent. Ne pas enlever l'écran de protection avant de la main. Ne pas remplacer l'écran de protection avant de la main par un autre dispositif.

On peut prendre les mesures suivantes pour réduire le risque de recul :

- Se servir des deux mains pour tenir la tronçonneuse pendant son fonctionnement. Tenir l'outil d'une poigne ferme. Les pouces et les doigts doivent envelopper les poignées.
- Tous les dispositifs de sécurité doivent être maintenus en place sur la tronçonneuse. S'assurer qu'ils fonctionnent correctement.
- Ne pas essayer d'atteindre trop loin ni de couper au-dessus de la hauteur de l'épaule.
- Garder en permanence un solide appui au sol et un bon équilibre.
- Se tenir légèrement à gauche de l'outil. Le corps n'est pas ainsi en prolongement direct de la chaîne.
- Ne pas laisser le nez de la guide-chaîne toucher quelque chose quand la chaîne est en mouvement. (Voir la figure 1.)
- Ne jamais essayer de couper deux billes en même temps. En couper seulement une à la fois.
 - Ne pas enfouir le nez de la guide-chaîne ni essayer de couper en plongeant (faire un trou dans le bois en enfonçant le nez de la guide-chaîne).
 - Surveiller le mouvement du bois ou les autres forces qui pourraient pincer la chaîne.
 - Faire très attention quand on repénètre dans une entaille.
 - Utiliser la chaîne à faible recul et la guide-chaîne fournies avec cette tronçonneuse. Remplacer ces pièces uniquement par les chaînes et lames-guides spécifiées dans ce manuel.
 - Ne jamais utiliser une chaîne émoussée ou détendue. Maintenir la chaîne affûtée et tendue correctement.

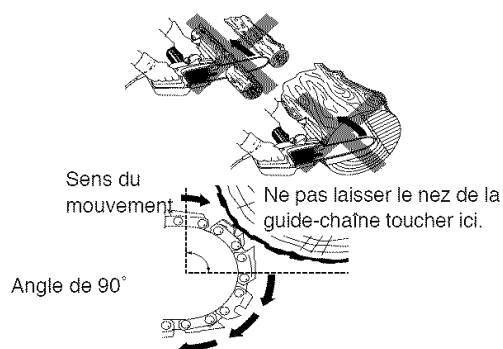


Figure 1 - Exemple du risque de recul. Ne pas laisser le nez de la guide-chaîne toucher un objet pendant que la chaîne est en mouvement.

Entretien de la tronçonneuse et protection contre le recul

Suivre les instructions d'entretien figurant dans ce manuel. Les risques de recul peuvent être réduits par le nettoyage et l'entretien adéquats de l'outil, de la chaîne, de la guide-chaîne. Après chaque utilisation, inspecter la tronçonneuse et l'entretenir. Ceci prolonge sa durée en service. **Remarque :** Même si la chaîne est affûtée correctement, le risque de recul peut augmenter à chaque affûtage.

ENTRETIEN ET REMISAGE DE LA TRONÇONNEUSE

1. Débrancher le cordon de la prise de courant :
 - quand on n'utilise pas la tronçonneuse,
 - avant de la déplacer d'un endroit à un autre,
 - avant de procéder à son entretien,
 - avant de changer des accessoires, tels que la chaîne et l'écran de protection de la tronçonneuse.
2. Inspecter la tronçonneuse avant et après chaque utilisation. Bien contrôler l'outil si une protection ou une pièce quelconque a été endommagée. Bien vérifier pour déceler tout dégât pouvant affecter la sécurité de l'utilisateur ou le fonctionnement de l'outil. Vérifier que les pièces mobiles sont bien alignées et ne sont pas coincées. Vérifier qu'il n'y a pas de pièces cassées ou endommagées. Ne pas utiliser la tronçonneuse si les dégâts affectent la sécurité ou son fonctionnement. Faire remettre l'outil en état par un réparateur agréé.
3. Se servir de l'outil avec précaution :
 - Ne jamais l'exposer à la pluie.
 - Garder la chaîne affûtée, propre et lubrifiée pour améliorer le rendement et la sécurité.
 - Suivre la procédure décrite dans ce manuel pour l'affûtage de la chaîne.
 - Garder les poignées sèches, propres et sans traces d'huile ou de graisse.
 - Garder vis et écrous bien serrés.
 - Inspecter souvent le cordon d'alimentation électrique. S'il est abîmé, le faire remettre en état par un réparateur agréé.
 - Ne jamais transporter la tronçonneuse en la tenant par le cordon d'alimentation électrique.
 - Ne jamais tirer sur le cordon pour débrancher la fiche de la prise de courant.
 - Tenir le cordon à l'écart de la chaleur, de l'huile et des bords coupants.
 - Inspecter souvent les rallonges et les remplacer si elles sont abîmées.
4. Pour la réparation, utiliser uniquement des pièces de rechange identiques.

CONSIGNES DE SÉCURITÉ IMPORTANTES

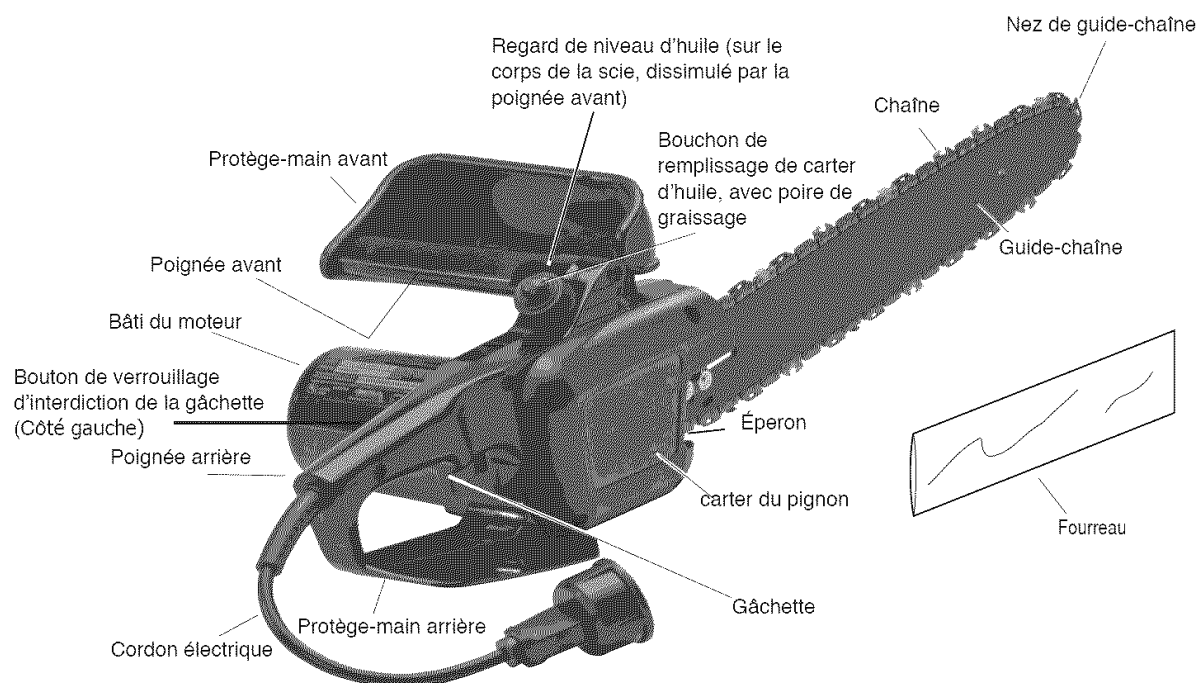
5. Lorsqu'on ne s'en sert pas, toujours ranger la tronçonneuse
- dans un endroit en hauteur ou verrouillé, hors de la portée des enfants,
 - dans un endroit sec,
 - dans une malette de transport ou avec un fourreau recouvrant la guide-chaîne.

DÉBALLAGE

1. Sortir du carton toutes les pièces.
2. Vérifier toutes les pièces pour déceler d'éventuels dégâts durant l'expédition. Si l'on constate des dégâts ou s'il manque des pièces, faites le 1-866-206-2707 (au Canada, faites le 1-877-696-5533).

CONSERVER CES DIRECTIVES

IDENTIFICATION DU PRODUIT



VOCABULAIRE DE LA TRONÇONNEUSE

Abattage Coupe d'un arbre.

Chaîne Boucle de chaîne ayant des dents tranchantes pour couper le bois. C'est le moteur qui entraîne la chaîne. La guide-chaîne soutient la chaîne.

Chaîne à faible recul Chaîne qui réduit le risque de recul selon la norme CSA Z62.3.

Coupe d'abattage Coupe finale pour l'abattage d'un arbre. Faire cette entaille du côté opposé au sifflet.

Chaîne de rechange Chaîne conforme à la norme CSA Z62.3 quand elle est utilisée avec une tronçonneuse spécifique. Il se peut qu'elle ne soit pas conforme aux exigences CSA quand elle est utilisée avec d'autres tronçonneuses.

Dispositif de lubrification Système de lubrification de la guide-chaîne et de la chaîne.

Ébranchage Coupe des branches d'un arbre abattu.

Écran de protection avant de la main Protection située entre la poignée avant et la guide-chaîne. Protège la main gauche pendant l'utilisation de la tronçonneuse.

Entaille par le dessous Entaille effectuée vers le haut à partir du dessous d'une bille ou d'une branche. Ceci se fait en position normale de coupe et en coupant avec le haut de la guide-chaîne.

Gâchette Dispositif qui met en marche et arrête la tronçonneuse. Quand on appuie sur la gâchette, la tronçonneuse se met en marche. Elle s'arrête quand on lâche la gâchette.

Groupe moteur Tronçonneuse sans chaîne ni guide-chaîne. Aussi nommé carter.

Interrupteur Dispositif qui ferme ou ouvre le circuit électrique du moteur de la tronçonneuse.

Guide-chaîne à recul réduit Guide-chaîne qui réduit le risque de recul.

Guide-chaîne Lame métallique qui prolonge le carter de la tronçonneuse. La guide-chaîne soutient et guide la chaîne. Nez de guide-chaîne Bout ou extrémité de la guide-chaîne.

Pignon Roue dentée qui entraîne la chaîne.

Poignée arrière Poignée située à l'arrière du carter.

Poignée avant Située à l'avant du carter de la tronçonneuse.

Pointe pare-chocs Dent pointue située à l'avant du carter, à côté de la guide-chaîne. Garder la pointe pare-chocs contre le bois lors de l'abattage ou du tronçonnage. Elle facilite le maintien de la position de la tronçonneuse pendant la coupe.

Position normale de coupe Position à tenir pendant le tronçonnage et l'abattage.

Poussée (recul, pincement) Poussée brusque en arrière de la tronçonneuse. Peut se produire si la partie de la chaîne sur le haut de la guide-chaîne est pincée, prise ou touche un objet étranger.

Recul Mouvement brusque vers l'arrière et vers le haut de la guide-chaîne. Le recul peut se produire quand le bout de la guide-chaîne touche un objet pendant le mouvement de la chaîne. La guide-chaîne fait alors un mouvement brusque vers le haut et vers l'arrière, en direction de l'utilisateur.

Sifflet Entaille en forme d'encoche faite dans un arbre qui dirige sa chute.

Taille (élagage) Coupe des branches d'un arbre sur pied.

Tringlerie d'interrupteur Ce dispositif relie l'interrupteur à la gâchette. Il déplace l'interrupteur quand on appuie sur la gâchette.

Tronçonnage Coupe d'un arbre abattu ou d'une bille en tronçons.

Verrou d'interrupteur Dispositif qui réduit le risque de mise en marche involontaire de la tronçonneuse.

FRANÇAIS

MONTAGE

Remarque : Sur les modèles pré-assemblés, voir *Réglage de la Tension de la Chaîne*.

⚠ AVERTISSEMENT : Les dents de la chaîne sont coupantes. Porter des gants protecteurs pour manipuler la chaîne.

IMPORTANT : Ne pas pincer la scie dans un étau durant le montage.

Le sac de quincaillerie d'assemblage en plastique devrait contenir :

- deux (2) boulons de guide-chaîne
 - deux (2) écrous de guide-chaîne
 - une (1) vis autotaraudeuse à tête Phillips
1. Étendez la chaîne, bien à plat.
 2. Installez le protège-main avant sur le corps de la scie. Pour ce faire, enfoncez les deux (2) manchons de montage du protège-main dans les trous de forme hexagonale du corps de la scie (voir la Figure 2).
 3. Introduisez ensuite les vis autotaraudeuses à travers le protège-main, jusque dans la poignée de la scie. Serrez les deux vis fermement.
 4. Tournez la vis de réglage dans le sens antihoraire (voir la Figure 3). Continuez de tourner la vis de réglage jusqu'à ce que la cale de réglage arrive à l'arrière de la plaque d'ajustement.
 5. Installez le guide-chaîne sur le corps de la scie. Placez l'arrière du guide-chaîne entre la plaque d'ajustement et le support du pignon de chaîne. **IMPORTANT :** Veillez à insérer la cale de réglage dans le trou ovale de réglage du guide-chaîne.
 6. Alignez les trous du support de pignon de chaîne avec la fente centrale du guide-chaîne et les trous du corps de la scie.
 7. Introduisez les boulons du guide-chaîne dans le protège-main avant, le corps de la scie, la fente centrale du guide-chaîne et le support de pignon de chaîne. Montez les écrous de guide-chaîne aux boulons du guide-chaîne. **IMPORTANT :** Serrez les écrous du guide-chaîne, au doigt seulement. Assurez-vous que la cale de réglage se trouve bien dans le trou ovale de réglage du guide-chaîne.
 8. Placez la chaîne autour du pignon d'entraînement de la chaîne, puis le long de la rainure supérieure du guide-chaîne et autour du nez du guide-chaîne. **Remarque :** Assurez-vous que les bords de coupe de la chaîne sont orientés dans la bonne direction. Positionnez la chaîne de manière à ce que les bords de coupe du haut du guide-chaîne soient orientés vers le nez du guide-chaîne (voir la Figure 3).
 9. Ajustez ensuite la tension de la chaîne. Suivez

la méthode indiquée dans la section *Réglage de la Tension de la Chaîne*.

⚠ AVERTISSEMENT : Ne pas placer la chaîne à l'envers sur la scie. Si la chaîne est placée à l'envers, la scie vibre fortement et ne coupe pas.

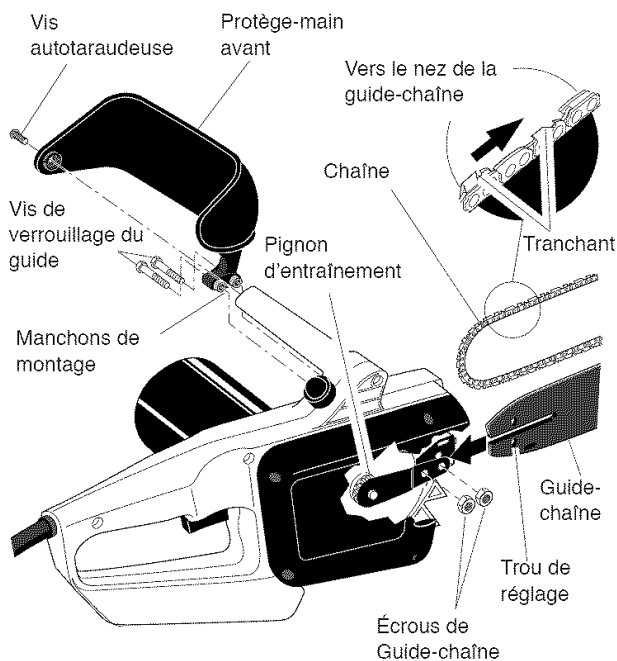


Figure 2 - Assemblage du guide-chaîne, de la chaîne et du protège-main

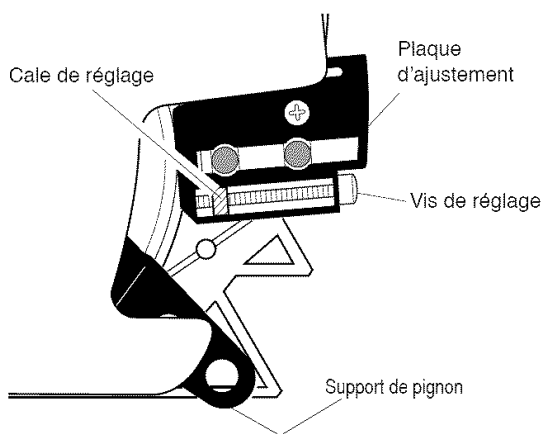


Figure 3 - Emplacement des pièces pour l'assemblage du guide-chaîne

RÉGLAGE DE LA TENSION DE LA CHAÎNE

⚠ AVERTISSEMENT : Avant de régler la tension de la chaîne, débrancher le cordon de la prise de courant.

⚠ AVERTISSEMENT : Les tranchants de la chaîne sont affûtés. Porter des gants de protection pour manipuler la chaîne.

⚠ AVERTISSEMENT : Toujours maintenir la chaîne tendue correctement. Une chaîne détendue augmente le risque de recul. De plus, elle risque de sauter hors de la rainure de la guide-chaîne. Ceci pourrait blesser l'utilisateur et endommager la chaîne. En outre, une chaîne détendue provoque l'usure rapide de la chaîne, de la guide-chaîne et du pignon.

Remarque : Sur les modèles pré-assemblés, la tension de la chaîne est réglée correctement en usine. Une chaîne neuve se détend. Vérifier une chaîne neuve après les quelques premières minutes d'utilisation. Laisser la chaîne refroidir. Procéder de la façon suivante pour régler la tension.

1. Antes de regular la cadena, asegúrese que las tuercas de la barra guía estén solamente ajustadas a mano (voir la Figure 3). También asegúrese que el bloque de regulación esté en el orificio ovalado de regulación de la barra guía (voir les Figures 2 y 3).
2. Gire el tornillo de regulación en sentido horario hasta que no quede holgura en la cadena (voir la Figure 4). **Remarque:** No debería haber separación entre los eslabones laterales de la cadena y la parte inferior de la barra guía (voir la Figure 5).
3. Avec des gants de protection, déplacer la chaîne autour de la guide-chaîne. Elle doit bouger librement. Si ce n'est pas le cas, détendre la chaîne en tournant la vis de réglage dans le sens inverse des aiguilles d'une montre.
4. Une fois que la tension est correcte, serrer fermement les écrous de la guide-chaîne. Si les écrous n'étaient pas bien serrés, la guide-chaîne se déplacerait, ce qui détendrait la chaîne, augmenterait le risque de recul et endommagerait l'outil. **Remarque :** Une chaîne neuve se détend. Vérifier une chaîne neuve après les quelques premières minutes d'utilisation. Laisser la chaîne refroidir. Procéder au réglage de la tension.

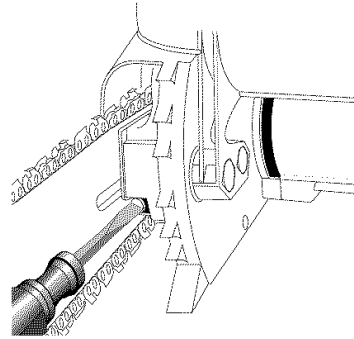


Figure 4 - Comment tourner la vis de réglage

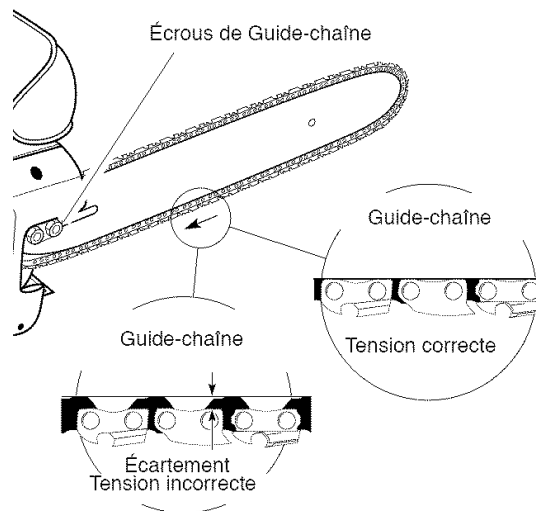


Figure 5 - Réglage de la chaîne

FRANÇAIS

UTILISATION DE LA TRONÇONNEUSE

⚠ AVERTISSEMENT : Il est recommandé de lire et comprendre ce manuel avant d'utiliser cette tronçonneuse. S'assurer d'avoir lu et compris toutes les directives de la rubrique *Consignes de Sécurité Importantes*. L'utilisation incorrecte de cette tronçonneuse peut entraîner des blessures graves ou la mort, résultant d'un incendie, de chocs électriques, d'un contact du corps avec la chaîne en mouvement ou de la chute de bois.

REEMPLISSAGE DU RÉSERVOIR D'HUILE

1. Enlever le bouchon d'huile.
2. Remplir le réservoir d'huile avec de l'huile moteur SAE#30.

Remarque : Pour les températures inférieures à -1 °C (30°F), utiliser de l'huile SAE#10. Pour les températures supérieures à 24°C (75°F), utiliser de l'huile SAE#40.

3. Remettre le bouchon d'huile immédiatement en place. Bien le visser pour qu'il soit étanche. Ceci évite les fuites d'huile.
4. Essuyer l'excédent d'huile.

Remarque : Il est normal que l'huile suinte lorsque la tronçonneuse n'est pas utilisée. Vider le réservoir d'huile, visser le bouchon et ranger la scie à l'envers après chaque usage pour empêcher l'huile de suinter.

LUBRIFICATION DE LA CHAÎNE

Vérifier toujours le niveau d'huile avant d'utiliser la tronçonneuse. Ne pas essayer d'utiliser le système de lubrification pendant que la tronçonneuse est en marche. Pour lubrifier la chaîne, appuyez sur la poire. De l'huile se propage sur la guide-chaîne et la chaîne. Appuyez sur la poire au moins une fois avant chaque coupe. Vérifiez le niveau de l'huile fréquemment par le regard de niveau d'huile. Ce regard se trouve du côté gauche de la scie, entre la poignée avant et le protège-main avant.

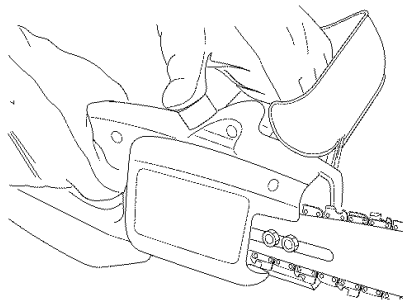


Figure 6 - Comment presser la poire de graissage du bouchon de remplissage du carter d'huile pour huiler la chaîne

RALLONGES ÉLECTRIQUES

Avec cette tronçonneuse, utiliser la rallonge correcte. Utiliser uniquement des rallonges spécifiées pour l'usage à l'extérieur. La rallonge doit être marquée avec le suffixe W ou W-A après la désignation du type de cordon. **Exemple :** SJTW-A ou SJTW.

Utiliser un cordon de taille correcte avec cette tronçonneuse. Le diamètre du cordon doit être suffisant pour transporter le courant nécessaire. Un cordon de dimension insuffisante provoquera une chute de tension au niveau de la tronçonneuse. Le tronçonneuse perdra de la puissance et surchauffera. Suivre les recommandations figurant ci-dessous pour les tailles de cordon nécessaires.

Longueur du cordon	Taille AWG du cordon
7,50 m (25 pieds)	16 AWG
15 m (50 pieds)	16 AWG
30 m (100 pieds)	16 AWG
45 m (150 pieds)	14 AWG

Tenir le cordon éloigné de la zone de coupe. S'assurer qu'il n'est pas accroché dans les branches ou billes durant la coupe. Inspecter souvent les cordons électriques. Les remplacer quand ils sont endommagés.

Pendant l'utilisation de la scie, il peut arriver que le câble de rallonge se débranche de lui-même. Pour éviter ceci, faites un noeud avec les deux câbles, comme le montre la Figure 7.

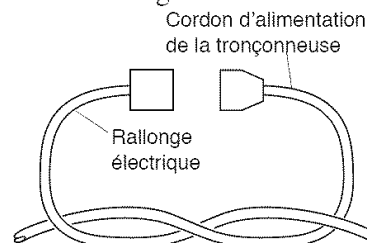


Figure 7 - Comment attacher ensemble le câble de rallonge et le cordon d'alimentation de la scie

SCIAGE AVEC LA TRONÇONNEUSE

1. Relier la tronçonneuse à une rallonge électrique. Brancher la rallonge à une prise de courant.
2. La section de bille à tronçonner ne doit pas se trouver sur le sol. Ceci évite que la chaîne ne touche le sol à la fin du tronçonnage. Une chaîne en mouvement qui touche le sol s'émousse.
3. Se servir des deux mains pour tenir la tronçonneuse. Toujours utiliser la main gauche pour saisir la poignée avant et la main droite pour saisir la poignée arrière. Tenir fermement. Les pouces et les doigts doivent entourer les poignées (voir la Figure 8).
4. Veiller à maintenir un bon équilibre. Garder les pieds écartés. Répartir le poids également sur les deux pieds.

UTILISATION DE LA TRONÇONNEUSE

5. Lorsque vous êtes prêt à faire une coupe, enfoncez le bouton du verrouillage d'interdiction de la gâchette avec le pouce droit, et appuyez sur la gâchette (voir la Figure 8). Ceci met la tronçonneuse en marche. Elle s'arrête quand on lâche la gâchette. S'assurer que la chaîne tourne à la vitesse maximum avant d'entamer l'entaille.
6. Au moment d'entamer l'entaille, placer la chaîne en mouvement contre le bois. Tenir la tronçonneuse fermement en place pour éviter qu'elle rebondisse ou dérape (mouvement latéral).
7. Guider l'outil en exerçant une légère pression. Ne pas forcer dessus. Le moteur serait surchargé et pourrait griller. Il fonctionnera de façon plus efficace et plus sûre à la vitesse pour laquelle il a été prévu.
8. Retirer la tronçonneuse d'une coupe en gardant la tronçonneuse à pleine vitesse. Arrêter la tronçonneuse en relâchant la gâchette. S'assurer que la chaîne est arrêtée avant de poser la tronçonneuse.
9. S'exercer à scier jusqu'à ce qu'on puisse maintenir une allure régulière.

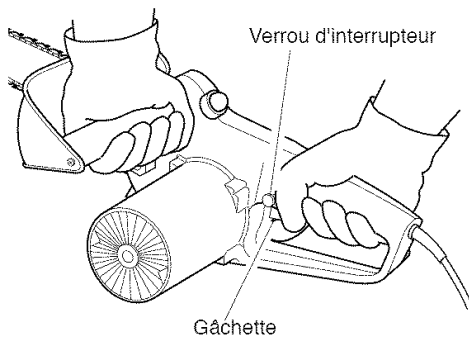


Figure 8 - Emplacements du bouton du verrouillage d'interdiction de la gâchette et de la gâchette

ABATTAGE D'UN ARBRE

⚠ AVERTISSEMENT :

- Éviter la réaction de recul qui peut provoquer des blessures graves ou la mort. Voir *Recul* pour éviter les risques de recul.
- Ne pas abattre d'arbre si l'on ne possède pas l'expérience suffisante et si l'on ne dispose pas d'assistance expérimentée.
- Ne pas laisser les enfants, animaux et personnes présentes s'approcher de l'endroit où l'arbre pourrait tomber.
- Si deux ou plusieurs personnes participent aux travaux de tronçonnage et d'abattage en même temps, prévoir un espace suffisant entre les différentes opérations. Il faut une distance au moins égale à deux fois la hauteur de l'arbre à abattre.

⚠ AVERTISSEMENT : Lors de l'abattage d'un arbre, bien étudier les alentours. Ne mettre personne en danger. Veiller à ne pas heurter de lignes de services publics et à ne pas causer de dégâts matériels. Si l'arbre heurte une ligne de service public, contacter immédiatement les responsables.

L'abattage est la coupe d'un arbre entier. Veiller à maintenir un bon équilibre. Garder les pieds écartés. Répartir le poids également sur les deux pieds. Procéder de la façon suivante pour l'abattage d'un arbre.

Avant d'abattre un arbre

1. Avant d'abattre un arbre, l'inspecter. S'assurer qu'il n'y a pas de branches mortes qui pourraient tomber sur l'utilisateur. Étudier l'inclinaison naturelle de l'arbre, l'emplacement des grosses branches et la direction du vent. Ceci aide à juger où l'arbre va tomber.
2. Dégager la zone de travail tout autour de l'arbre.
3. Avant d'abattre un arbre, prévoir un chemin de dégagement et le dégager. Le prévoir à l'opposé de la direction de chute de l'arbre et à un angle de 45°. (voir la Figure 9.)
4. Débarrasser l'arbre où l'on va effectuer les entailles de saleté, cailloux, écorce détachée, clous, agrafes et fil de fer qui pourraient s'y trouver.
5. Lors de l'abattage d'un arbre, rester du côté amont de la pente car il pourrait rouler ou glisser après sa chute.

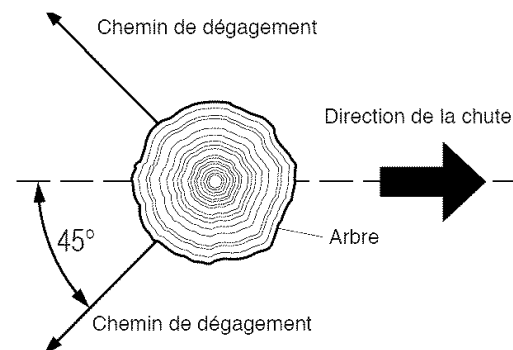


Figure 9 - Chemin de dégagement pour s'éloigner de l'arbre

FRANÇAIS

UTILISATION DE LA TRONÇONNEUSE

Procédure d'abattage

A) Sifflet d'abattage

Un sifflet d'abattage correctement placé permet de déterminer la direction de la chute de l'arbre. Placer le sifflet d'abattage du côté de l'arbre où l'on veut qu'il tombe. (voir la Figure 11.) Procéder de la façon suivante pour faire le sifflet.

1. Faire l'entaille inférieure aussi près du sol que possible. Tenir la tronçonneuse de manière à ce que la guide-chaîne soit horizontale. Tailler sur 1/3 du diamètre du tronc d'arbre. (voir la Figure 10.)

Remarque : Toujours commencer par faire cette entaille inférieure horizontale. Si l'on fait cette entaille en second, l'arbre risque de pincer la chaîne ou la guide-chaîne.

2. Entamer l'entaille supérieure au-dessus de la 1ère entaille, à une distance égale à la profondeur de cette dernière.

Exemple : Si l'entaille inférieure a 20 cm (8 po) de profondeur, commencer l'entaille supérieure à 20 cm au-dessus de cette dernière. Scier vers le bas à un angle de 45°. L'entaille supérieure doit rencontrer l'extrémité de l'entaille inférieure. (voir la Figure 10.)

3. Enlever le morceau de tronc créé par les deux entailles.

B) Trait d'abattage

1. De l'autre côté de l'arbre, faire le trait d'abattage à 5 cm (2 po) au-dessus de l'entaille inférieure du sifflet. (voir la Figure 10.) Faire le trait parallèle à l'entaille inférieure.
2. Scier en direction du sifflet.
3. Lorsque le trait d'abattage approche de la charnière, l'arbre doit commencer à tomber. **Remarque :** Si nécessaire, enfoncer des coins dans le trait d'abattage pour contrôler la direction de la chute. Si l'arbre revient en arrière et pince la chaîne, enfoncer des coins dans le trait d'abattage pour libérer la tronçonneuse. Utiliser uniquement des coins en plastique, en bois ou en aluminium. Ne jamais utiliser de coin en acier. Ceci provoquerait une réaction de recul qui risquerait d'endommager la chaîne.
4. Lorsque l'arbre commence à tomber, faire très rapidement les opérations suivantes :
 - sortir la tronçonneuse du trait d'abattage ;
 - lâcher la gâchette pour arrêter la tronçonneuse ;
 - poser la tronçonneuse sur le sol ;
 - s'éloigner par le chemin de dégagement.

AVERTISSEMENT : Ne pas scier l'arbre complètement. Laisser environ 5 cm (2 po) de bois non scié directement derrière le sifflet d'abattage. (voir la Figure 10.) Cette partie non sciée sert de charnière. La charnière empêche l'arbre de se tordre et de tomber dans la mauvaise direction.

AVERTISSEMENT : Surveiller les branches qui tombent. Regarder où l'on met les pieds en s'éloignant.

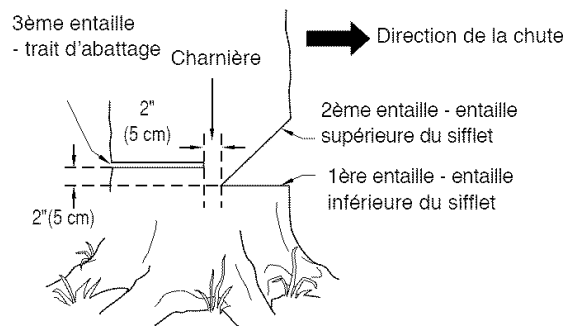


Figure 10 - Abattage d'un arbre

ÉBRANCHAGE

AVERTISSEMENT : Éviter la réaction de recul qui peut provoquer des blessures graves ou la mort. Voir *Recul* pour éviter les risques de recul.

AVERTISSEMENT : Pour couper une branche sous tension, faire très attention. Veiller au bois qui fait ressort : quand la tension disparaît, la branche projetée risque de heurter l'utilisateur, entraînant des blessures graves ou la mort.

L'ébranchage est la coupe des branches d'un arbre tombé. Veiller à maintenir un bon équilibre. Garder les pieds écartés. Répartir le poids également sur les deux pieds. Ne pas retirer les grosses branches sous l'arbre qui soutiennent le tronc surélevé. Retirer chaque branche d'une seule coupe. (voir la Figure 11.) Dégager souvent la zone de travail en écartant le bois coupé. Ceci contribue à la sécurité du travail. Veiller à entamer l'entaille à un endroit où la branche ne pincera pas la tronçonneuse durant la coupe. Pour éviter le pincement, entamer l'entaille sur des branches libres, à partir du dessus de la branche. Pour les branches sous tension, entamer l'entaille à partir du dessous de la branche. En cas de pincement, arrêter la tronçonneuse, soulever la branche puis retirer l'outil.

UTILISATION DE LA TRONÇONNEUSE

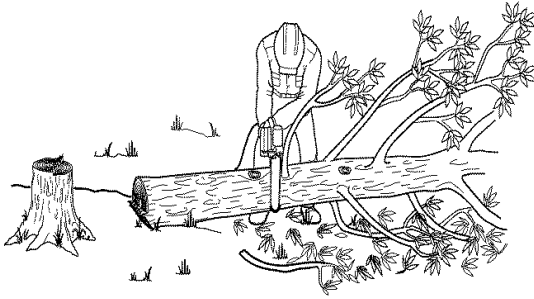


Figure 11 - Ébranchage d'un arbre

TRONÇONNAGE D'UNE BILLE

⚠ AVERTISSEMENT : Éviter la réaction de recul qui peut provoquer des blessures graves ou la mort. Voir *Recul* pour éviter les risques de recul.

⚠ AVERTISSEMENT :

- Si l'on se trouve sur une pente, s'assurer que la bille ne roulera pas. La maintenir en place à l'aide de piquets de bois. Enfoncer les piquets dans le sol du côté aval par rapport à la bille. Se tenir du côté amont de la bille pour tronçonner car les tronçons risquent de rouler.
- Ne jamais essayer de tronçonner deux billes à la fois. Ceci pourrait augmenter le risque de recul.
- Pendant le tronçonnage d'une bille, ne jamais tenir la bille avec la main, la jambe ou le pied.
- Pendant le tronçonnage d'une bille, ne jamais laisser quelqu'un d'autre tenir la bille.
- Arrêter la tronçonneuse et la débrancher avant de la déplacer d'un endroit à un autre.

Le tronçonnage d'une bille se fait en la coupant en tronçons. Veiller à maintenir un bon équilibre. Garder les pieds écartés. Répartir le poids également sur les deux pieds. Se tenir légèrement à gauche de la tronçonneuse. Ceci évite que le corps ne soit en prolongement direct de la chaîne. Autant que possible, soulever la bille ou le tronçon au-dessus du sol. Pour ce faire, utiliser des branches, tronçons, cales, etc.

Pendant le tronçonnage de la bille, maintenir le contrôle en réduisant la pression vers la fin du tronçonnage. Ne pas relâcher les poignées de la tronçonneuse. Veiller à ce que la chaîne en mouvement ne touche pas le sol car cela l'émousserait. Après le tronçonnage, lâcher la gâchette pour arrêter la tronçonneuse avant de la déplacer.

Procéder de la façon suivante pour tronçonner une bille.

Toute la bille repose au sol.

Tronçonner la bille à partir du dessus. (voir la Figure 12.)

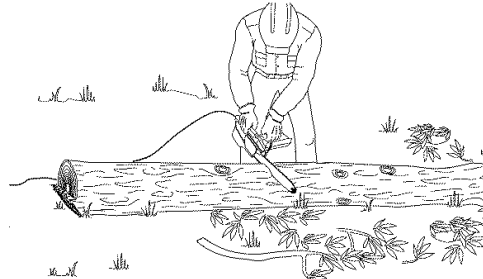


Figure 12 - Tronçonnage d'une bille qui repose entièrement au sol

La bille est soutenue à une extrémité.

1. Faire la première entaille sur le dessous de la bille. (voir la Figure 13.) Pour ce faire, utiliser le haut de la guide-chaîne. Scier sur le tiers du diamètre de la bille. Cette entaille permet d'éviter la production d'éclats de bois.
2. Faire la seconde entaille directement au-dessus de la première. Aller jusqu'à la rencontre de la première entaille. Ceci permet d'éviter le pincement de la guide-chaîne et de la chaîne.

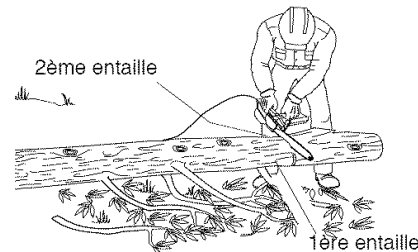


Figure 13 - Tronçonnage d'une bille soutenue à une extrémité

La bille est soutenue aux deux extrémités.

1. Faire la première entaille à partir du dessus de la bille. (voir la Figure 14) Scier sur le tiers du diamètre de la bille. Cette entaille permet d'éviter la production d'éclats de bois.
2. Faire la seconde entaille sur le dessous de la bille, directement au-dessous de la première. Pour ce faire, utiliser le haut de la guide-chaîne. Aller jusqu'à la rencontre de la première entaille. Ceci permet d'éviter le pincement de la guide-chaîne et de la chaîne.

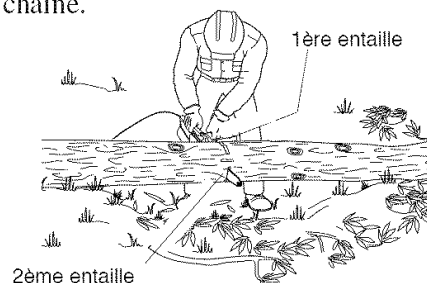


Figure 14 - Tronçonnage d'une bille soutenue aux deux extrémités

FRANÇAIS

UTILISATION DE LA TRONÇONNEUSE

TAILLE D'UN ARBRE (Élagage)

⚠ AVERTISSEMENT : Éviter la réaction de recul qui peut provoquer des blessures graves ou la mort. Voir *Recul* pour éviter les risques de recul.

⚠ AVERTISSEMENT : Ne pas utiliser la tronçonneuse quand on est :

- dans un arbre,
- sur une échelle ou toute autre surface instable,
- dans une position instable.

On risque de perdre le contrôle de l'outil, ce qui peut provoquer des blessures graves.

⚠ AVERTISSEMENT : Ne pas couper de branches au-dessus de la hauteur de l'épaule.

⚠ AVERTISSEMENT : Si l'utilisateur estime les conditions de travail au-delà de ses capacités, il lui est conseillé de faire appel à un professionnel.

La taille d'un arbre est la coupe des branches de l'arbre sur pied. Veiller à maintenir un bon équilibre. Garder les pieds écartés. Répartir le poids également sur les deux pieds. Procéder de la façon suivante pour la taille d'un arbre.

1. Faire la première entaille à 15 cm (6 po) du tronc, sur le dessous de la branche. Utiliser le haut de la guide-chaîne pour faire cette entaille. Couper sur 1/3 du diamètre de la branche. (voir la Figure 15)
2. Avancer de 5 à 10 cm (2 à 4 po) plus loin sur la branche. Faire la seconde entaille à partir du dessus de la branche. Continuer jusqu'à ce que la branche soit sectionnée.
3. Faire la 3ème entaille aussi près du tronc que possible, sur le dessous du reste de la branche. Utiliser le haut de la guide-chaîne pour faire cette entaille. Couper sur 1/3 du diamètre du reste de la branche.
4. Faire la 4ème entaille juste au-dessus de la 3ème. Tailler pour rencontrer la 3ème entaille. Ceci enlève le reste de la branche.

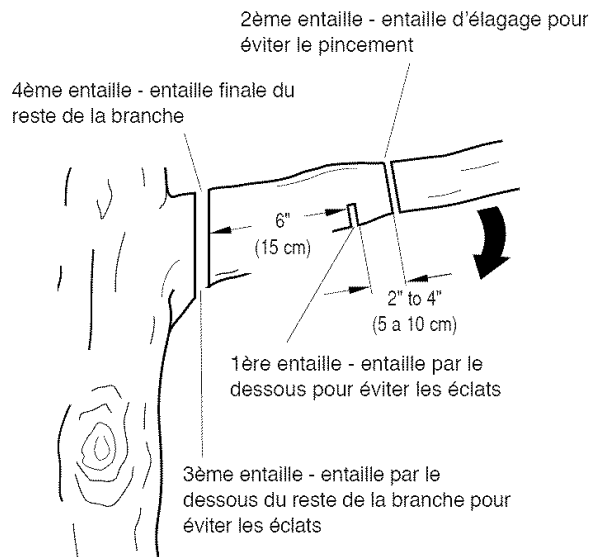


Figure 15 - Coupe d'une branche

NETTOYAGE ET ENTRETIEN

AVIS : Les instructions pour l'entretien de la tronçonneuse se trouvent ci-dessous. Tout entretien qui n'est pas mentionné ci-dessous doit être effectué par un réparateur agréé.

NETTOYAGE DU CARTER DE TRONÇONNEUSE

AVERTISSEMENT : Avant de procéder à l'entretien, débrancher la tronçonneuse de la prise de courant. Des blessures graves ou la mort peuvent être provoquées par les chocs électriques et le contact du corps avec la chaîne en mouvement.

AVERTISSEMENT : Les tranchants de la chaîne sont affûtés. Porter des gants de protection pour manipuler la chaîne.

AVERTISSEMENT : Pour nettoyer le carter de la tronçonneuse :

- Ne pas la plonger dans un liquide.
- Ne pas utiliser de produits contenant de l'ammoniaque, du chlore ou des abrasifs.
- Ne pas utiliser de solvants de nettoyage au chlore, de tétrachlorure de carbone, de kérosène ni d'essence.

Maintenir propre le carter de la tronçonneuse. Utiliser un chiffon doux imprégné d'un mélange d'eau et de savon doux. Essuyer le carter.

ENTRETIEN DE LA GUIDE-CHAÎNE

La plupart des problèmes de guide-chaîne sont causés par son usure inégale. La cause en est souvent l'affûtage incorrect des taillants de la chaîne et le réglage incorrect des limiteurs de profondeur. Lorsque la guide-chaîne s'use de manière inégale, sa rainure s'élargit. (voir la Figure 16.) Ceci fait claquer la chaîne et sauter les rivets. La tronçonneuse ne peut plus scier droit. Il faut dans ce cas remplacer la guide-chaîne.

Inspecter la guide-chaîne avant d'affûter la chaîne. Une guide-chaîne usée ou endommagée présente des dangers. Elle endommage la chaîne. Le sciage devient également plus difficile.

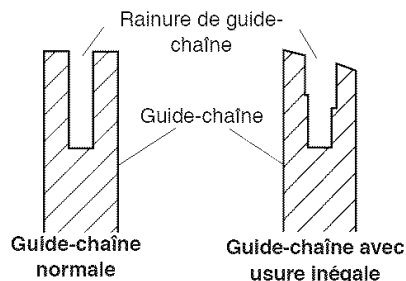


Figure 16 - Coupe transversale d'une guide-chaîne montrant une usure inégale

Entretien normal de la guide-chaîne

1. Sortir la guide-chaîne de la tronçonneuse.
2. Retirer périodiquement la sciure se trouvant dans la rainure de la guide-chaîne. Utiliser un couteau à mastic ou un morceau de fil de fer (voir la Figure 17).
3. Nettoyer les fentes à huile après chaque journée d'utilisation.
4. Éliminer les ébarbures des côtés de la guide-chaîne. Utiliser une lime plate pour redresser les bords.

Remplacer la guide-chaîne quand :

- la lame est tordue ou fendue,
- la rainure interne de la lame est très usée.

Remarque : Pour le remplacement de la guide-chaîne, consulter le paragraphe *Pièces de Rechange et Accessoires* pour connaître la guide-chaîne correcte à utiliser.

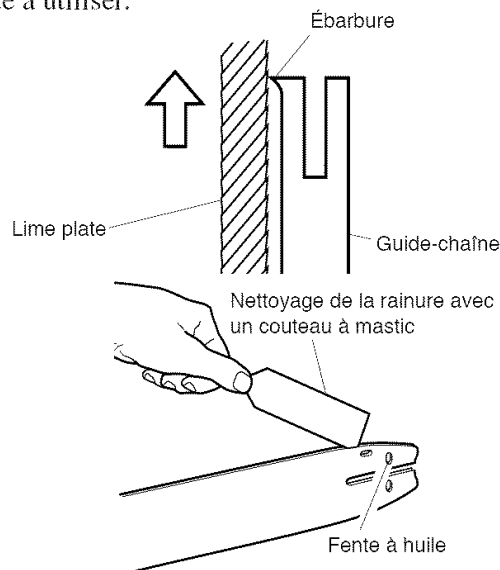


Figure 17 - Entretien de la guide-chaîne

AFFÛTAGE DE LA CHAÎNE

AVERTISSEMENT : Avant de procéder à l'entretien, débrancher la tronçonneuse de la prise de courant. Des blessures graves ou la mort peuvent être provoquées par les chocs électriques et le contact du corps avec la chaîne en mouvement.

FRANÇAIS

NETTOYAGE ET ENTRETIEN

⚠ AVERTISSEMENT : Les tranchants de la chaîne sont affûtés. Porter des gants de protection pour manipuler la chaîne.

Maintenir la chaîne affûtée. La tronçonneuse scie plus rapidement et de façon plus sécuritaire. Une chaîne émoussée provoque l'usure prématurée du pignon, de la guide-chaîne, de la chaîne et du moteur. Si l'utilisateur est contraint de forcer sur la chaîne pour la faire entrer dans le bois et si le sciage ne produit que de la sciure avec peu de gros copeaux, c'est que la chaîne est émoussée.

Outils nécessaires pour affûter la chaîne

Ces outils peuvent être achetés chez le concessionnaire local, dans une quincaillerie ou un dépôt de fournitures pour tronçonneuses.

- lime ronde de 4 mm (5/32 po)
- outil pour limiteur de profondeur
- lime plate moyenne
- guide lime
- étau

Affûtage des taillants

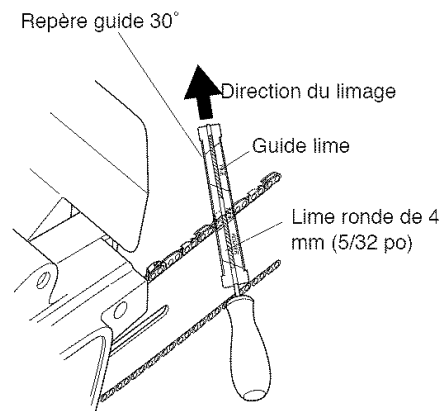
Utiliser le guide lime pour un limage à 30°.

1. Régler la chaîne à sa tension correcte. (*Voir Réglage de la Tension de la Chaîne*)
2. Serrer la guide-chaîne dans un étau pour immobiliser la tronçonneuse. **Remarque :** Ne pas serrer la chaîne.
3. Enfoncer la lime ronde de 4 mm (5/32 po) (attachée au guide lime) dans la rainure, entre la plaque supérieure et le limiteur de profondeur sur la chaîne. Le guide lime doit reposer sur la plaque supérieure et sur le limiteur de profondeur. (voir le Figure 18.)
Remarque : Limer au milieu de la guide-chaîne.
4. Tenir le guide lime horizontal. S'assurer que le repère 30° du guide lime est parallèle à l'axe de la guide-chaîne. (voir la Figure 18.) Ceci permet de s'assurer que l'on lime les taillants à un angle de 30°.
5. Limer le taillant de l'intérieur vers l'extérieur, jusqu'à ce qu'il soit affûté. Ne limer que dans cette seule direction. (voir la Figure 18.) **Remarque :** 2 ou 3 coups de lime doivent affûter le taillant.
6. Une fois le taillant affûté, avancer la chaîne pour affûter le taillant suivant. Limer tous les taillants du même côté de la chaîne.
7. Passer de l'autre côté de la chaîne et répéter l'opération.

Limage des limiteurs de profondeur des taillants

Le dégagement des limiteurs de profondeur des taillants est réduit lorsque ces derniers sont affûtés. Tous les 2 ou 3 affûtages, régler les limiteurs de profondeur.

1. Placer l'outil pour limiteur de profondeur fermement par-dessus 2 taillants. S'assurer que le limiteur de profondeur entre dans la fente de l'outil. (voir la Figure 20.)
 2. Utiliser une lime plate moyenne. Limer le limiteur de profondeur avec l'outil.
 3. Retirer l'outil. Avec la lime plate, arrondir le coin avant du limiteur de profondeur. (voir la Figure 21.)
- Après plusieurs limages à la main, faire affûter la chaîne par un centre de réparation agréé ou dans une affûteuse. Ceci permet d'avoir un limage uniforme.



Remarque : Cette illustration représente la position du guide lime et la direction du limage pour l'affûtage des taillants du côté gauche de la chaîne.

Figure 18 - Position de la lime et du guide lime sur la chaîne

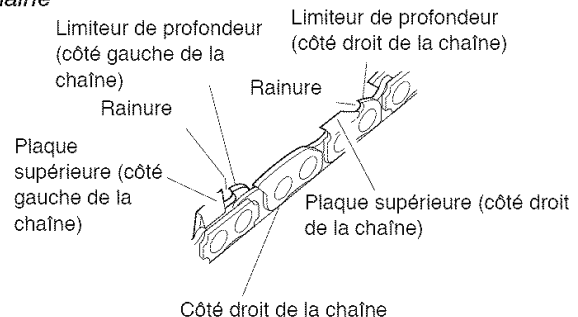


Figure 19 - Emplacement des pièces de la chaîne

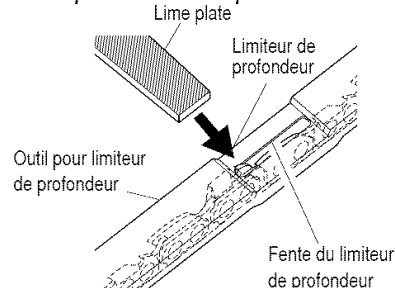


Figure 20 - Position de l'outil pour limiteur de profondeur sur la chaîne

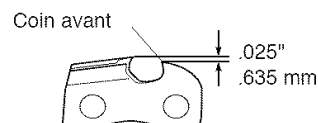


Figure 21 - Arrondir le coin avant du limiteur de profondeur

REMPACEMENT DE LA CHAÎNE

Remplacer la chaîne lorsque les taillants sont trop usés pour être affûtés ou lorsque la chaîne casse. Utiliser uniquement la chaîne de rechange spécifiée dans ce manuel. Toujours remplacer le pignon d'entraînement par un neuf lors du remplacement de la chaîne. On obtient ainsi l'entraînement correct de la chaîne. **Remarque :** Pour connaître la chaîne et le pignon d'entraînement corrects à utiliser, voir


Pièces de Rechange et Accessoires.

REMISAGE

Si l'on remise la tronçonneuse pour plus de 30 jours, procéder de la façon suivante :

1. Vidanger le réservoir d'huile.
2. Déposer la guide-chaîne et la chaîne et les nettoyer. Pour ce faire, les tremper dans un solvant à base de pétrole ou dans un mélange d'eau et de savon doux.
3. Sécher la guide-chaîne et la chaîne.
4. Placer la chaîne dans un récipient rempli d'huile. Ceci l'empêche de rouiller.
5. Passer une légère couche d'huile sur la surface de la guide-chaîne.
6. Essuyer l'extérieur du carter de la tronçonneuse avec un chiffon doux imprégné d'un mélange d'eau et de savon doux.
7. Remiser la chaîne :
 - dans un endroit en hauteur ou verrouillé, hors de la portée des enfants,
 - dans un endroit sec,
 - dans une malette de transport ou avec un fourreau recouvrant la guide-chaîne.

PIÈCES DE RECHANGE ET ACCESSOIRES

 **AVERTISSEMENT :** Utiliser uniquement les pièces de rechange et les accessoires décrits dans ce manuel. L'emploi d'autres pièces ou accessoires pourrait endommager la tronçonneuse ou blesser l'opérateur.

Pour obtenir des pièces de rechange et des accessoires d'origine pour ce produit, faites le 1-866-206-2707 (au Canada, faites le 1-877-696-5533) ou visitez www.remingtonpowertools.com.

SERVICE DE RÉPARATION

Note : Utilisez seulement des pièces de rechange d'origine. Vous aurez ainsi droit à la protection de la garantie pour toute pièce remplacée en vertu de la garantie.

Pour un entretien ou une réparation, veuillez appeler le service à la clientèle pour obtenir une liste complète des concessionnaires agréés près de chez vous. L'entretien de cet appareil doit être confié exclusivement à un concessionnaire agréé pendant et après la période de garantie.

Faites le 1-866-206-2707 (au Canada, faites le 1-877-696-5533) ou visitez www.remingtonpowertools.com.

FRANÇAIS

DÉPANNAGE

Remarque : Pour toute assistance supplémentaire, visitez www.remingtonpowertools.com.

⚠ AVERTISSEMENT : Avant de faire l'entretien, débrancher la tronçonneuse de la prise de courant. Des blessures graves ou la mort peuvent être provoquées par les chocs électriques et le contact du corps avec la chaîne en mouvement.

DÉFAILLANCE OBSERVÉE	CAUSE POSSIBLE	REMÈDE
La chaîne tourne mais ne scie pas	Chaîne assemblée à l'envers sur la guide-chaîne	Voir Montage
La chaîne ne scie que lorsqu'elle est forcée. La taille ne produit que de la sciure avec quelques gros copeaux	La chaîne est émoussée	Voir Affûtage de la Chaîne
La chaîne tourne lentement. Elle cale facilement	Faible tension électrique d'alimentation	La rallonge électrique est d'un calibre trop petit. Voir Rallonges électriques.
Le moteur de la tronçonneuse ne marche pas quand on appuie sur la gâchette	<ol style="list-style-type: none"> 1. Verrou d'interrupteur pas poussé vers l'avant pour libérer la gâchette 2. Raccords des cordons électriques desserrés 3. Fusible ou disjoncteur de ligne ouvert 4. Balais de moteur usés 5. Circuit électrique ouvert dans la tronçonneuse 	<ol style="list-style-type: none"> 1. Pousser le verrou d'interrupteur vers l'avant avant d'appuyer sur la gâchette 2. Vérifier les raccords 3. Vérifier le fusible ou le disjoncteur 4. Contacter un réparateur agréé 5. Contacter un réparateur agréé
Le moteur de la tronçonneuse marche mais la chaîne ne bouge pas	Engrenage du pignon	Retirez le pignon et inspectez-le à la recherche de dommage.
L'huile n'arrive pas à la chaîne	<ol style="list-style-type: none"> 1. Fente à huile bouchée dans la guide-chaîne 2. Huile trop épaisse 	<ol style="list-style-type: none"> 1. Déposer la guide-chaîne et nettoyer la fente à huile 2. Utiliser l'huile de viscosité correcte. Voir Remplissage du Réservoir D'huile
La chaîne saute hors de la guide-chaîne	<ol style="list-style-type: none"> 1. Chaîne détendue 2. Le guide-chaîne et la chaîne ne sont pas montés correctement 	<ol style="list-style-type: none"> 1. Tendre la chaîne. Voir Réglage de la Tension de la Chaîne 2. Voir Montage
La tronçonneuse fume	Outil endommagé. Ne pas l'utiliser	Contacteur un réparateur agréé
L'huile fuit	Un suintement d'huile est normal lorsque la tronçonneuse n'est pas utilisée.	Bien fermer le bouchon d'huile. Note : Vidanger le réservoir d'huile quand on n'utilise pas l'outil

INFORMATION SUR LA GARANTIE

GARANTIE LIMITÉE DU FABRICANT POUR:

La garantie limitée énoncée ci-après est accordée par Remington LLC et concerne les marchandises neuves achetées et utilisées aux États-Unis, ses possessions et territoires.

Remington LLC garantit ce produit contre tout vice de matière ou de façon pendant une période de un (1) an à compter de la date d'achat initiale et elle se réserve le choix de réparer ou de remplacer, à titre gratuit, toute pièce présentant un vice de matière ou de façon. Cette garantie limitée ne s'appliquera que dans la mesure où le produit aura été utilisé et entretenu conformément au Manuel de l'utilisateur fourni avec le produit et n'aura pas fait l'objet d'un usage inadéquat, abusif, commercial ou négligent, d'un accident, d'un entretien inadéquat, d'une modification, de vandalisme, d'un vol, d'un incendie, de dégâts d'eau ou d'un endommagement résultant d'un autre péril ou d'un désastre naturel. Les dommages résultants de l'installation ou de l'utilisation de tout accessoire ou équipement non approuvé par Remington pour une utilisation avec le(s) produit(s) couvert(s) par le présent manuel annuleront la garantie en ce qui concerne les dommages qui en résulteraient éventuellement.

La présente garantie est limitée à quatre-vingt-dix (90) jours à compter de la date d'achat au détail initiale pour tout produit Remington utilisé à des fins locatives ou commerciales, ou toute utilisation produisant des revenus.

POUR L'OBTENTION DU SERVICE DE GARANTIE: le service au titre de la garantie est disponible, SUR PRÉSENTATION D'UNE PREUVE D'ACHAT, AUPRÈS DU DISTRIBUTEUR AGRÉÉ LOCAL. Pour trouver un distributeur dans votre région, consultez les Pages Jaunes, appelez le **1-866-206-2707** aux États-Unis ou le **1-877-696-5533** au Canada, ou écrivez à l'adresse Remington LLC, P.O. Box 361032, Cleveland, OH 44136.

La garantie limitée n'offre aucune couverture dans les cas suivants:

- A. Mises au point : bougies, réglages de carburateur, filtres
- B. Éléments pouvant s'user : boutons de butée, bobines extérieures, fil de coupe, moulins intérieurs, poulie du démarreur, cordons de démarrage, courroies d'entraînement
- C. Remington LLC n'accorde aucune garantie pour les produits vendus ou exportés des États-Unis d'Amérique, de leurs possessions et territoires, exception faite en ce qui concerne les produits vendus par l'intermédiaire de ses canaux agréés de distribution à l'exportation.

Remington se réserve le droit de modifier ou d'améliorer la conception de ses produits sans pour autant assumer l'obligation de modifier tout produit d'une fabrication plus ancienne.

Aucune garantie implicite, y compris toute garantie de valeur marchande ou d'adaptation à une fin particulière, ne s'applique après la période applicable de garantie expresse écrite ci-dessus concernant les pièces qui sont identifiées. Aucune autre garantie ou caution expresse, écrite ou orale, à l'exception de celle mentionnée ci-dessus, accordée par toute personne ou entité, y compris tout distributeur ou détaillant, concernant tout produit n'engagera la responsabilité de Remington LLC. Pendant la période de garantie, le recours exclusif est la réparation ou le remplacement du produit dans les conditions énoncées ci-dessus. (Certains états ne permettent pas la limitation de la garantie implicite, il est donc possible que la limitation ci-dessus ne s'applique pas à vous.)

Les clauses énoncées dans la présente Garantie constituent le recours unique et exclusif inhérent aux ventes. Remington LLC ne sera en aucun cas tenue pour responsable de tout dommage indirect ou consécutif ou de dommages comprenant, entre autres, les dépenses encourues du fait du recours à des services de remplacement ou de substitution pour l'entretien des pelouses, le transport ou des frais connexes, ou les frais entraînés par une location destinée à remplacer provisoirement un produit sous garantie. (Certains états ne permettent pas la limitation de la garantie implicite, il est donc possible que la limitation ci-dessus ne s'applique pas à vous.)

Aucun recouvrement, quel qu'il soit, ne sera d'un montant supérieur au prix du produit vendu. Toute modification des dispositifs de sécurité du produit annulera la présente Garantie. Vous assumez tout risque et toute responsabilité résultant de la perte, de l'endommagement ou du préjudice que vous et votre propriété et/ou d'autres et leur propriété pourront encourir d'un fait de l'utilisation normale, de la mauvaise utilisation ou de l'incapacité d'utiliser le produit.

La présente garantie limitée n'est accordée qu'à l'acheteur initial, au preneur initial ou à la personne à laquelle le produit a été offert.

Le Droit des États vis à vis de la présente garantie: la présente garantie vous confère certains droits juridiques et vous pouvez bénéficier d'autres droits lesquels varient d'un état à l'autre.

Pour obtenir l'adresse du distributeur réparateur le plus proche, composez le : **1-866-206-2707** aux États-Unis ou le **1-877-696-5533** au Canada.

REMINGTON LLC

P.O. Box 361032
Cleveland, OH 44136

FRANÇAIS

FRANÇAIS



